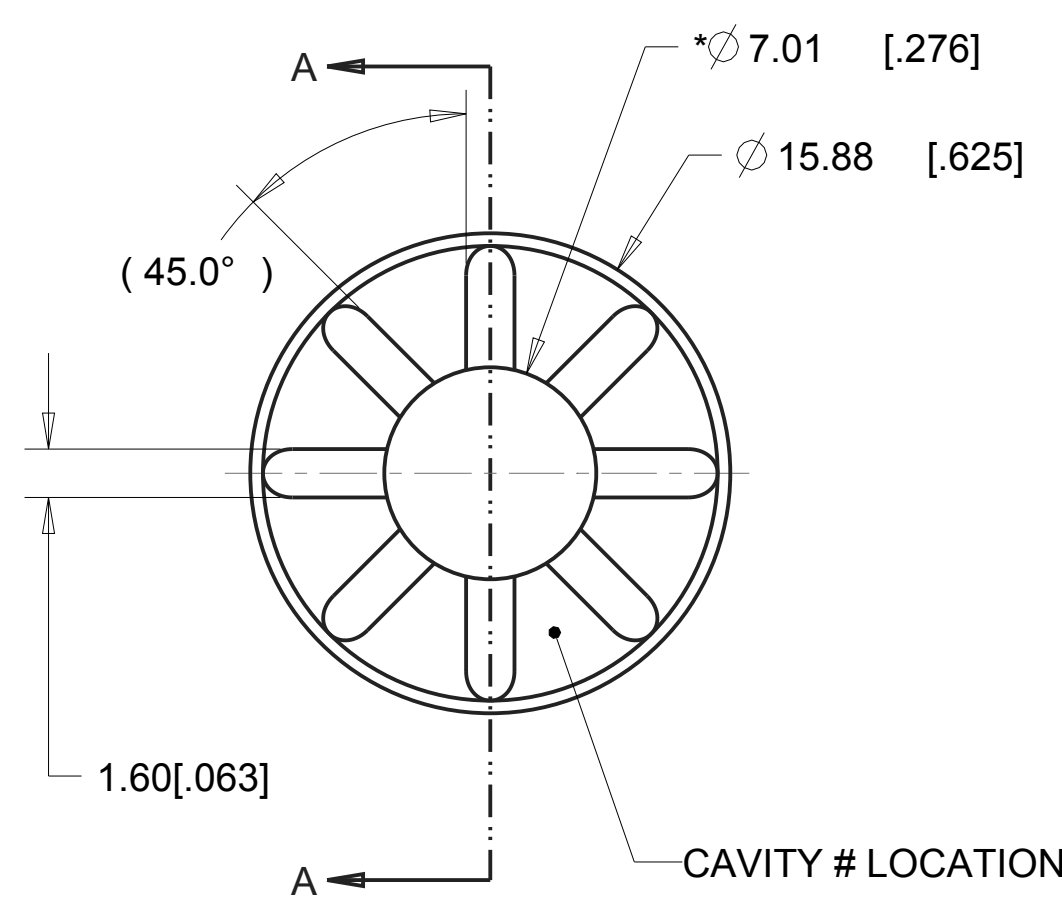
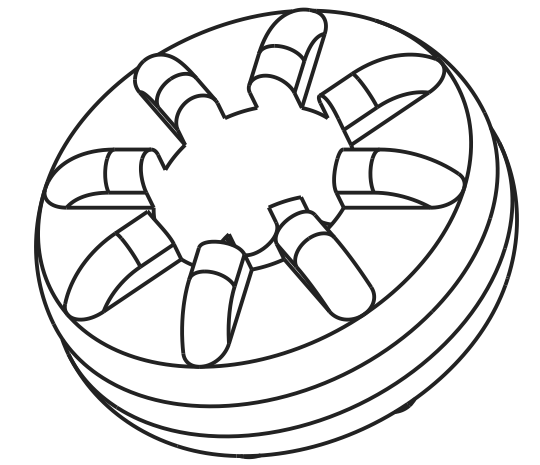
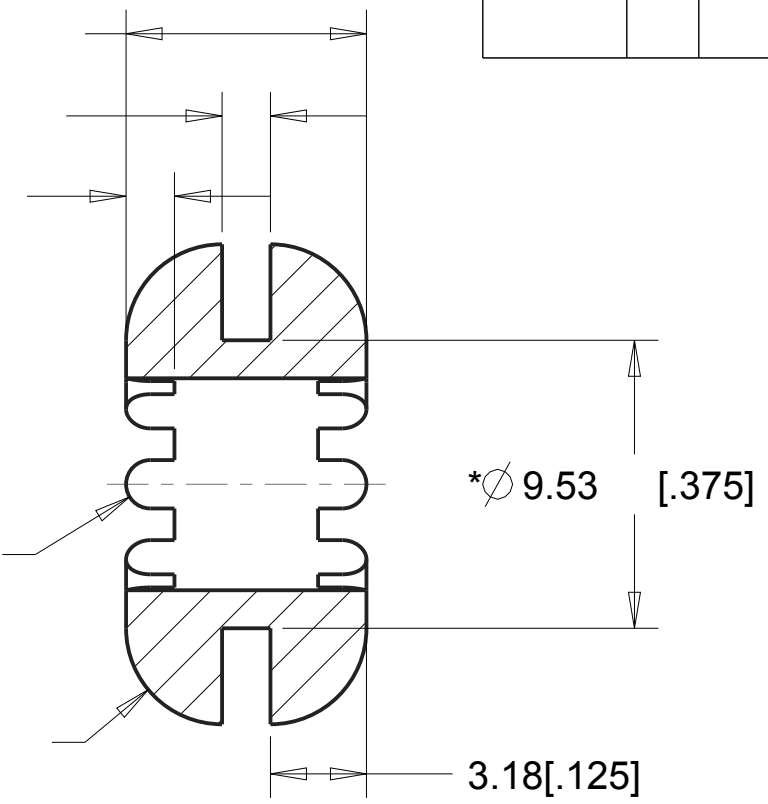




REVISIONS				
DRAWN	REV	DESCRIPTION	DATE	APPROVED
TC	01	CONSOLIDATED ALL PREVIOUS MATERIALS TO ONE SPEC. HISTORIC PRINTS REVISED TO REV A. THIS PRINT FOLLOWS THE FORMAT WITH REV B.	4-27-10	JS
KP/TC	02	UPDATED FORMAT, ADDED WEIGHT	5-24-11	MS



7.95 [.313]
 1.60 [.063]
 1.60 [.063]
 R.80 [.032]
 R3.18 [.125]



GROMMET MATERIAL	SEE PAGE
ISODAMP	1
VERSADAMP	1
ISOLOSS	2

G-403-C8012	C-8012
G-403-C8002	C-8002
G-403-C8001	C-8001
G-403-V2325	V-2325
G-403-3	C-1100
G-403-2	C-1105
G-403-1	C-1002
PART NUMBER	MATERIAL

RANGE	TOL
0 < DIM <= 2 [.078]	± 0.15 [.006]
2 [.078] < DIM <= 25 [.98]	± 0.25 [.010]
25 [.98] < DIM <= 50 [1.969]	± 0.4 [.016]
50 [1.969] < DIM	± 0.6 [.024]

UNLESS OTHERWISE SPECIFIED UNITS ARE: MM [IN] TOLERANCE FOR ANGLES: ±1.0°	MATERIAL: SEE TABLE ON LEFT	AEARO TECHNOLOGIES LLC * a 3M company		
ALLOWABLE FLASH: ±.12MM [.005]	QUALITY CONTROL: MUST COMPLY WITH E-A-R SPECIALTY COMPOSITES SUPPLIER QUALITY MANUAL REQUIREMENTS	TITLE GROMMET - NON INTERNALLY RIBBED		
GATE: ±.15MM [.006]	NOTES: ANY FEATURE NOT DIMENSIONED IN PRINT MUST BE VISIBLY PRESENT, UTILIZE 3D CAD FOR CREATION	SIZE B	DRAWING NO. G-403-X	PAGE NO. 1 OF 2
CALC WT. 0.83 GRAM REF				

- NOTES:
1. CRITICAL DIMENSIONS ARE MARKED WITH "**".
 2. CRITICAL DIMENSIONS SHALL HAVE Cpk VALUE >= 1.33 WITH ONGOING SPC DATA REQUIRED
 3. MAX DRAFT ALLOWED: 2°.
 4. FOR VERSADAMP AND ISODAMP MATERIAL, USE THE TOLERANCE TABLE ON PAGE 1
 5. FOR ISOLOSS MATERIAL, USE THE TOLERANCE TABLE ON PAGE 2

1

2

3

4

REVISIONS



D

D

C

C

B

B

A

A

G-403-SL60300	SL-60300	RANGE	TOL	UNLESS OTHERWISE SPECIFIED UNITS ARE: MM [IN] TOLERANCE FOR ANGLES: ±1.0°	MATERIAL: SEE TABLE ON LEFT	AEARO TECHNOLOGIES LLC * a 3M company		
G-403-SL50300	SL-50300					0<DIM≤0.394	± 0.006	QUALITY CONTROL: MUST COMPLY WITH E-A-R SPECIALTY COMPOSITES SUPPLIER QUALITY MANUAL REQUIREMENTS
G-403-SL35300	SL-35300	0.394<DIM≤0.787	± 0.008	ALLOWABLE FLASH:	NOTES: ANY FEATURE NOT DIMENSIONED IN PRINT MUST BE VISIBLY PRESENT, UTILIZE 3D CAD FOR CREATION	SIZE	DRAWING NO.	
G-403-SL20300	SL-20300	0.787<DIM≤1.969	± 0.010	GATE:		B	G-403-X	2 OF 2
PART NUMBER	MATERIAL	1.969<DIM≤3.150	± 0.014	0.71 GRAM REF				
		3.150<DIM	± 0.5%					

1

2

3

4