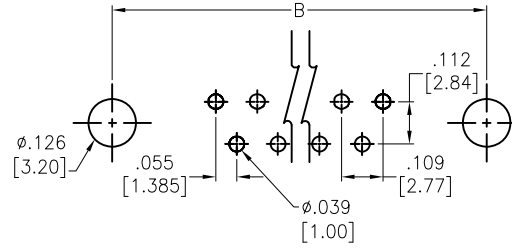
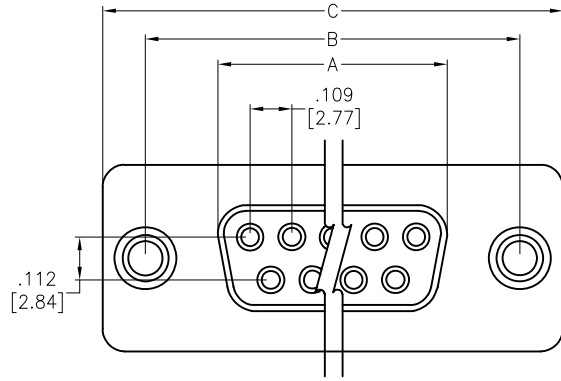
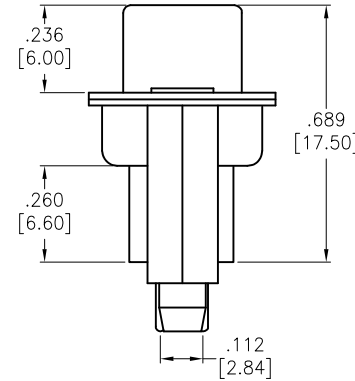
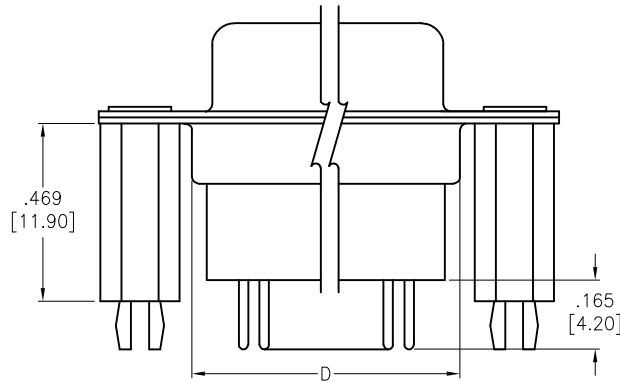


APPROVED: _____
 DATE: _____ TITLE: _____

Rev	AWO #	Description	Date	Appr
-		RELEASED	4/15/05	
A		REDRAWN	01/16/13	



RECOMMENDED PCB LAYOUT



SPECIFICATIONS:

Material:
 Insulator: Thermoplastic, rated UL 94V-0
 Insulator color: Black
 Contacts: Copper Alloy
 Shell: Steel
 Hardware: Copper alloy
 Plating:
 Gold flash over Nickel underplate overall
 Electrical:
 Operating voltage: 250 VAC max
 Current rating: 3 Amps max
 Contact resistance: 15 mohms max
 Insulation resistance: 3,000 Mohms min
 Dielectric withstanding voltage: 1,000 VAC for 1 minute
 Temperature Rating:
 Operating temperature: -55°C to +105°C
 Environmental:
 Lead free, RoHS compliant



DXXX	NO. OF CONTACTS	DIMENSIONS			
		A	B	C	D
DE09	9	.642 [16.30]	.984 [25.00]	1.213 [30.80]	.756 [19.20]
DA15	15	.969 [24.60]	1.311 [33.30]	1.543 [39.20]	1.091 [27.70]
DB25	25	1.508 [38.30]	1.854 [47.10]	2.091 [53.10]	1.618 [41.10]
DC37	37	2.157 [54.80]	2.500 [63.50]	2.732 [69.40]	2.256 [57.30]

UNLESS OTHERWISE SPECIFIED
 ALL DIMENSIONS ARE INCHES [MM]
 TOLERANCES: EXCEPT AS NOTED
 INCHES HOLES
 .X ± .10 Ø.X ± .10
 .XX ± .020 Ø.XX ± .015
 .XXX ± .015 Ø.XXX ± .010

ADAM TECH

909 Rahway Avenue, Union, NJ 07083
 Phone: 908-687-5000 Fax: 908-687-5710

TITLE: D-SUB SOCKET, HIGH PROFILE
 RIVETED #4-40 STANDOFFS W/BOARDLOCKS

APPROVALS		DATE
DRAWN	SS	4/15/05
CHECKED		
APPROVED		

SIZE	PART NO.	REV.
X	DXXX-SE-1-BL	A
REF:	S00013T	SCALE: NTS SHEET 1 OF 1