

DS78C120 Dual CMOS Compatible Differential Line Receiver

Check for Samples: [DS78C120](#)

FEATURES

- Full Compatibility with EIA Standards RS232-C, RS422 and RS423, Federal Standards 1020, 1030 and MIL-188-114
- Input Voltage Range of $\pm 15V$ (Differential or Common-Mode)
- Separate Strobe Input for Each Receiver
- $1/2 V_{CC}$ Strobe Threshold for CMOS Compatibility
- 5k Typical Input Impedance
- 50 mV Input Hysteresis
- 200 mV Input Threshold
- Operation Voltage Range = 4.5V to 15V
- Separate Fail-Safe Mode

DESCRIPTION

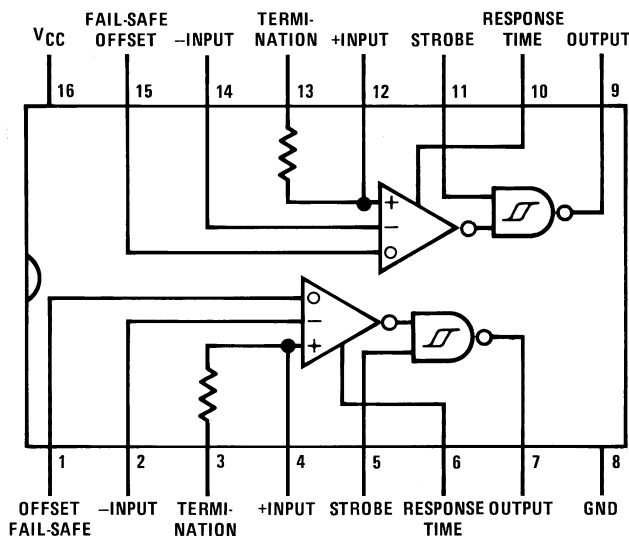
The DS78C120 is a high performance, dual differential, CMOS compatible line receiver for both balanced and unbalanced digital data transmission. The inputs are compatible with EIA, Federal and MIL standards.

Input specifications meet or exceed those of the popular DS7820 line receiver.

The line receiver will discriminate a ± 200 mV input signal over a common-mode range of $\pm 10V$ and a ± 300 mV signal over a range of $\pm 15V$.

Circuit features include hysteresis and response control for applications where controlled rise and fall times and/or high frequency noise rejection are desirable. Threshold offset control is provided for fail-safe detection, should the input be open or short. Each receiver includes a 180Ω terminating resistor and the output gate contains a logic strobe for time discrimination. The DS78C120 is specified over a $-55^{\circ}C$ to $+125^{\circ}C$ temperature range.

Connection Diagram



Dual-In-Line Package - CDIP
Top View

For Complete Military Product Specifications, refer to the appropriate SMD or MDS.
See Package Number NFE



Please be aware that an important notice concerning availability, standard warranty, and use in critical applications of Texas Instruments semiconductor products and disclaimers thereto appears at the end of this data sheet.

All trademarks are the property of their respective owners.



These devices have limited built-in ESD protection. The leads should be shorted together or the device placed in conductive foam during storage or handling to prevent electrostatic damage to the MOS gates.

ABSOLUTE MAXIMUM RATINGS⁽¹⁾⁽²⁾

Supply Voltage		18V
Input Voltage		±25V
Strobe Voltage		18V
Output Sink Current		50 mA
Maximum Power Dissipation ⁽³⁾ at 25°C	Cavity Package	1433 mW
	Molded Package	1362 mW
Storage Temperature Range		-65°C to +150°C
Lead Temperature (Soldering, 4 seconds)		260°C

- (1) "Absolute Maximum Ratings" are those values beyond which the safety of the device cannot be specified. Except for "Operating Temperature Range" they are not meant to imply that the devices should be operated at these limits. The table of "Electrical Characteristics" provides conditions for actual device operation.
- (2) If Military/Aerospace specified devices are required, please contact the TI Sales Office/Distributors for availability and specifications.
- (3) Derate cavity package 9.6 mW/°C; derate molded package 10.9 mW/°C above 25°C.

OPERATING CONDITIONS

	Min	Max	Units
Supply Voltage (V_{CC})	4.5	15	V
Temperature (T_A)	DS78C120		°C
Common-Mode Voltage (V_{CM})	-15	+15	V

ELECTRICAL CHARACTERISTICS⁽¹⁾⁽²⁾

Symbol	Parameter	Conditions	Min	Typ	Max	Units
V_{TH}	Differential Threshold Voltage	$I_{OUT} = -200 \mu A$, $V_{OUT} \geq V_{CC} - 1.2V$	$-7V \leq V_{CM} \leq 7V$	0.06	0.2	V
			$-15V \leq V_{CM} \leq 15V$	0.06	0.3	V
V_{TL}	Differential Threshold Voltage	$I_{OUT} = 1.6 mA$, $V_{OUT} \leq 0.5V$	$-7V \leq V_{CM} \leq 7V$	-0.08	-0.2	V
			$-15V \leq V_{CM} \leq 15V$	-0.08	-0.3	V
V_{TH}	Differential Threshold Voltage Fail-Safe	$I_{OUT} = -200 \mu A$, $V_{OUT} \geq V_{CC} - 1.2V$		0.47	0.7	V
V_{TL}	Offset = 5V	$I_{OUT} = 1.6 mA$, $V_{OUT} \leq 0.5V$	$-7V \leq V_{CM} \leq 7V$	0.2	0.42	V
R_{IN}	Input Resistance	$-15V \leq V_{CM} \leq 15V$, $0V \leq V_{CC} \leq 15V$	4	5		k Ω
R_T	Line Termination Resistance	$T_A = 25^\circ C$	100	180	300	Ω
R_O	Offset Control Resistance	$T_A = 25^\circ C$		56		k Ω
I_{IND}	Data Input Current (Unterminated)	$0V \leq V_{CC} \leq 15V$	$V_{CM} = 10V$	2	3.1	mA
			$V_{CM} = 0V$	0	-0.5	mA
			$V_{CM} = -10V$	-2	-3.1	mA
V_{THB}	Input Balance ⁽³⁾	$I_{OUT} = 200 \mu A$, $V_{OUT} \geq V_{CC} - 1.2V$, $R_S = 500\Omega$	$-7V \leq V_{CM} \leq 7V$	0.1	0.4	V
		$I_{OUT} = 1.6 mA$, $V_{OUT} \leq 0.5V$, $R_S = 500\Omega$	$-7V \leq V_{CM} \leq 7V$		-0.1	-0.4
V_{OH}	Logical "1" Output Voltage	$I_{OUT} = -200 \mu A$, $V_{DIFF} = 1V$	$V_{CC} - 1.2$	$V_{CC} - 0.75$		V
V_{OL}	Logical "0" Output Voltage	$I_{OUT} = 1.6 mA$, $V_{DIFF} = -1V$		0.25	0.5	V

- (1) Unless otherwise specified min/max limits apply across the -55°C to +125°C temperature range for the DS78C120. All typical values for $T_A = 25^\circ C$, $V_{CC} = 5V$ and $V_{CM} = 0V$.
- (2) All currents into device pins shown as positive, out of device pins as negative, all voltages referenced to ground unless otherwise noted. All values shown as max or min on absolute value basis.
- (3) Refer to EIA-RS422 for exact conditions.

ELECTRICAL CHARACTERISTICS⁽¹⁾⁽²⁾ (continued)

Symbol	Parameter	Conditions	Min	Typ	Max	Units	
I _{CC}	Power Supply Current	15V ≤ V _{CM} ≤ -15V, V _{DIFF} = -0.5V (Both Receivers)	V _{CC} = 5.5V		8	15	mA
			V _{CC} = 15V		15	30	mA
I _{IN(1)}	Logical "1" Strobe Input Current	V _{STROBE} = 15V, V _{DIFF} = 3V		15	100	μA	
I _{IN(0)}	Logical "0" Strobe Input Current	V _{STROBE} = 0V, V _{DIFF} = -3V		-0.5	-100	μA	
V _{IH}	Voltage Logical "1" Strobe Input	V _{OL} ≤ 0.5V, I _{OUT} = 1.6 mA	V _{CC} = 5V	3.5	2.5		V
			V _{CC} = 10V	8.0	5.0		V
			V _{CC} = 15V	12.5	7.5		V
V _{IL}	Logical "0" Strobe Input Voltage	V _{OH} V _{CC} - 1.2V, I _{OUT} = -200 μA	V _{CC} = 5V		2.5	1.5	V
			V _{CC} = 10V		5.0	2.0	V
			V _{CC} = 15V		7.5	2.5	V
I _{OS}	Output Short-Circuit Current	V _{OUT} = 0V, V _{CC} = 15V, V _{STROBE} = 0V ⁽⁴⁾	-5	-20	-40	mA	

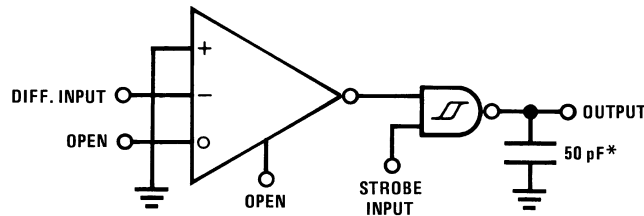
(4) Only one output at a time should be shorted.

SWITCHING CHARACTERISTICS

V_{CC} = 5V, T_A = 25°C

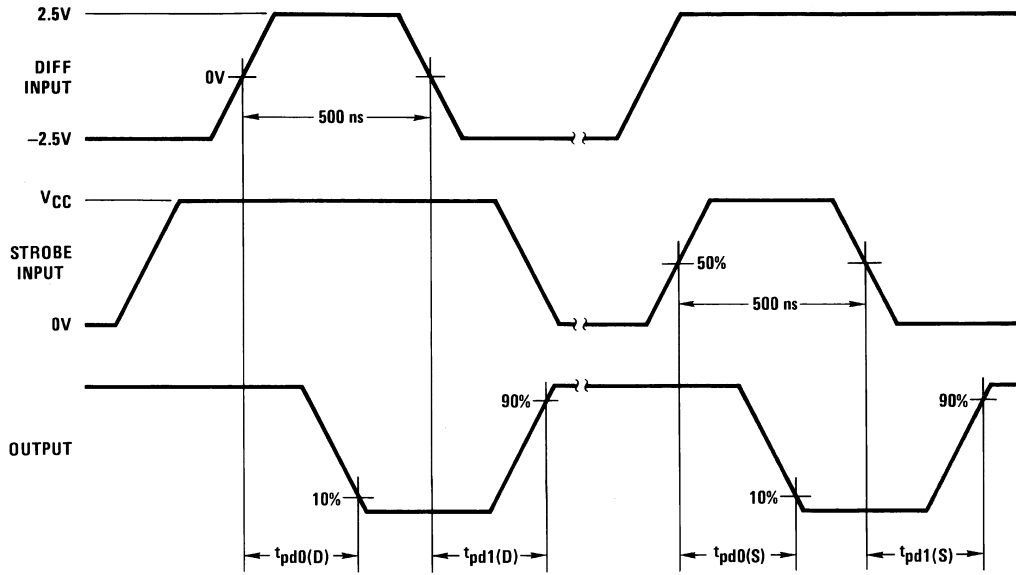
Symbol	Parameter	Conditions	Min	Typ	Max	Units
t _{pd0(D)}	Differential Input to "0" Output	C _L = 50 pF		60	100	ns
t _{pd1(D)}	Differential Input to "1" Output	C _L = 50 pF		100	150	ns
t _{pd0(S)}	Strobe Input to "0" Output	C _L = 50 pF		30	70	ns
t _{pd1(S)}	Strobe Input to "1" Output	C _L = 50 pF		100	150	ns

AC TEST CIRCUIT AND SWITCHING TIME WAVEFORMS



*Includes probe and test fixture capacitance

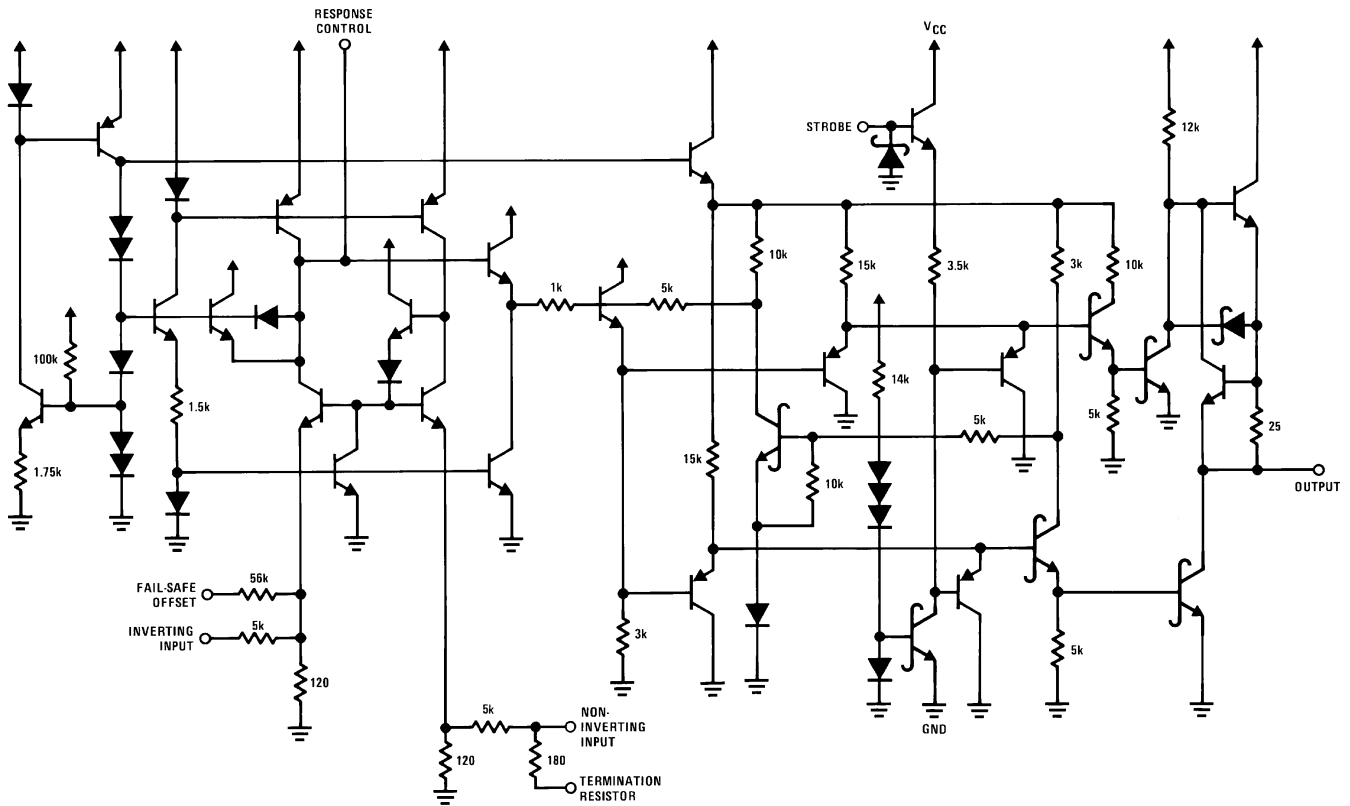
Figure 1. Differential and Strobe Input Signal



$t_r = t_f \leq 10$ ns
 PRR = 1 MHz

Note: Optimum switching response is obtained by minimizing stray capacitance on Response Control pin (no external connection).

Schematic Diagram



(½ Circuit Shown)

APPLICATION HINTS

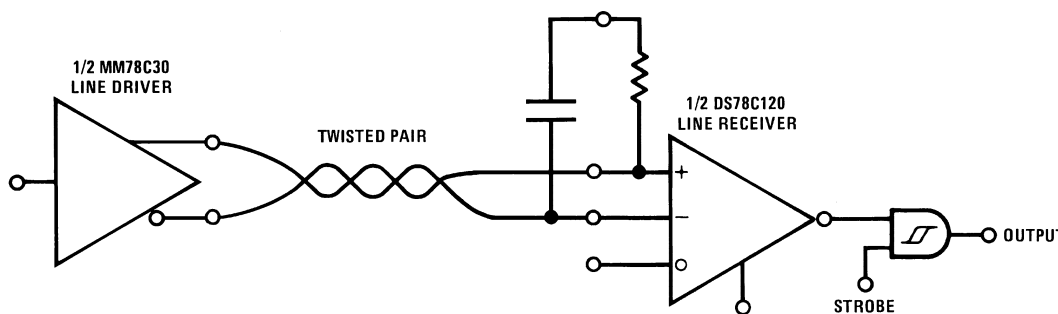


Figure 2. Balanced Data Transmission

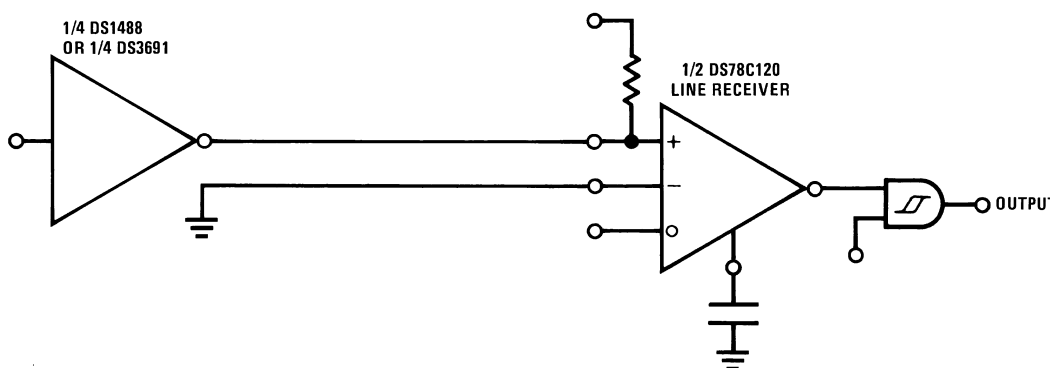


Figure 3. Unbalanced Data Transmission

Logic Level Translator

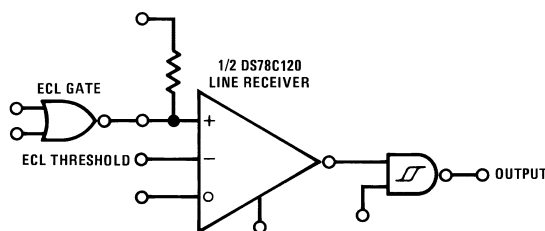
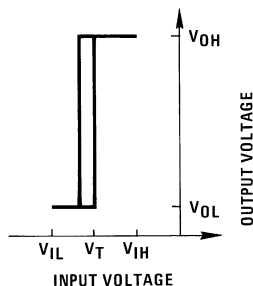


Figure 4. Logic Level Translator Circuit

The DS78C120 may be used as a level translator to interface between $\pm 12V$ MOS, ECL, TTL and CMOS. To configure, bias either input to voltage equal to $\frac{1}{2}$ the voltage of the input signal, and the other input to the driving gate.

LINE DRIVERS

Line drivers which will interface with the DS78C120 are listed below.

Balanced Drivers

DS26LS31 Quad RS-422 Line Driver

DS7830, DS8830 Dual TTL

DS7831, DS8831 Dual TRI-STATE TTL

DS7832, DS8832 Dual TRI-STATE TTL

DS1691A, DS3691- Dual RS-422

DS1692, DS3692 Dual TRI-STATE

RS-422

DS3587, DS3487 Quad TRI-STATE RS-422

Unbalanced Drivers

DS1488 Quad RS-232

DS14C88 Quad RS-232

DS75150 Dual RS-232

RESPONSE CONTROL AND HYSTERESIS

In unbalanced (RS-232/RS-423) applications it is recommended that the rise time and fall time of the line driver be controlled to reduce cross-talk. Elimination of switching noise is accomplished in the DS78C120 by the 50 mV of hysteresis incorporated in the output gate. This eliminates the oscillations which may appear in a line receiver due to the input signal slowly varying about the threshold level for extended periods of time.

High frequency noise which is superimposed on the input signal which may exceed 50 mV can be reduced in amplitude by filtering the device input. On the DS78C120, a high impedance response control pin in the input amplifier is available to filter the input signal without affecting the termination impedance of the transmission line. Noise pulse width rejection vs the value of the response control capacitor is shown in [Figure 5](#) and [Figure 6](#). This combination of filters followed by hysteresis will optimize performance in a worse case noise environment.

TRANSMISSION LINE TERMINATION

On a transmission line which is electrically long, it is advisable to terminate the line in its characteristic impedance to prevent signal reflection and its associated noise/cross-talk. A 180 Ω termination resistor is provided in the DS78C120 line receiver. To use the termination resistor, connect pins 2 and 3 together and pins 13 and 14 together. The 180 Ω resistor provides a good compromise between line reflections, power dissipation in the driver, and IR drop in the transmission line. If power dissipation and IR drop are still a concern, a capacitor may be connected in series with the resistor to minimize power loss.

The value of the capacitor is recommended to be the line length (time) divided by 3 times the resistor value. Example: if the transmission line is 1,000 feet long, (approximately 1000 ns) the capacitor value should be 1852 pF. For additional application details, refer to application notes AN-22 and AN-108.

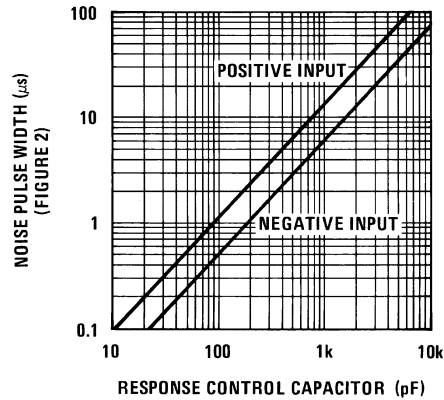


Figure 5. Noise Pulse Width vs Response Control Capacitor

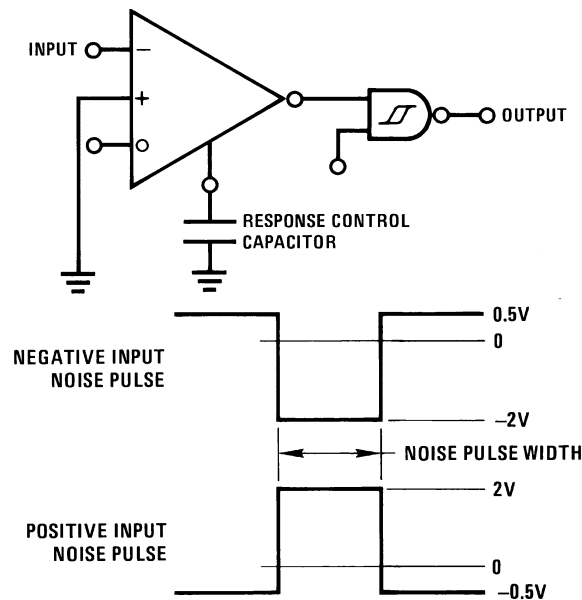


Figure 6.

FAIL-SAFE OPERATION

Communication systems require elements of a system to detect the presence of signals in the transmission lines, and it is desirable to have the system shut-down in a fail-safe mode if the transmission line is open or shorted. To facilitate the detection of input opens or shorts, the DS78C120 incorporates an input threshold voltage offset. This feature will force the line receiver to a specific logic state if presence of either fault is a condition.

Given that the receiver input threshold is ± 200 mV, an input signal greater than ± 200 mV insures the receiver will be in a specific logic state. When the offset control input (pins 1 and 15) is connected to $V_{CC} = 5V$, the input thresholds are offset from 200 mV to 700 mV, referred to the non-inverting input, or -200 mV to -700 mV, referred to the inverting input. Therefore, if the input is open or shorted, the input will be greater than the input threshold and the receiver will remain in a specified logic state.

The input circuit of the receiver consists of a 5k resistor terminated to ground through 120Ω on both inputs. This network acts as an attenuator, and permits operation with common-mode input voltages greater than ±15V. The offset control input is actually another input to the attenuator, but its resistor value is 56k. The offset control input is connected to the inverting input side of the attenuator, and the input voltage to the amplifier is the sum of the inverting input plus 0.09 times the voltage on the offset control input. When the offset control input is connected to 5V the input amplifier will see $V_{IN(INVERTING)} + 0.45V$ or $V_{IN(INVERTING)} + 0.9V$ when the control input is connected to 10V. The offset control input will not significantly affect the differential performance of the receiver over its common-mode operating range, and will not change the input impedance balance of the receiver.

It is recommended that the receiver be terminated (500Ω or less) to insure it will detect an open circuit in the presence of noise.

The offset control can be used to insure fail-safe operation for unbalanced interface (RS-423) or for balanced interface (RS-422) operation.

For unbalanced operation, the receiver would be in an indeterminate logic state if the offset control input was open. Connecting the offset to 5V offsets the receiver threshold 0.45V. The output is forced to a logic zero state if the input is open or shorted.

For balanced operation with inputs shorted or open, receiver C will be in an indeterminate logic state. Receivers A and B will be in a logic zero state allowing the NOR gate to detect the short or open condition. The strobe will disable receivers A and B and may therefore be used to sample the fail-safe detector. Another method of fail-safe detection consists of filtering the output of the NOR gate D so it would not indicate a fault condition when receiver inputs pass through the threshold region, generating an output transient.

In a communications system, only the control signals are required to detect input fault condition. Advantages of a balanced data transmission system over an unbalanced transmission system are:

1. High noise immunity
2. High data ratio
3. Long line lengths

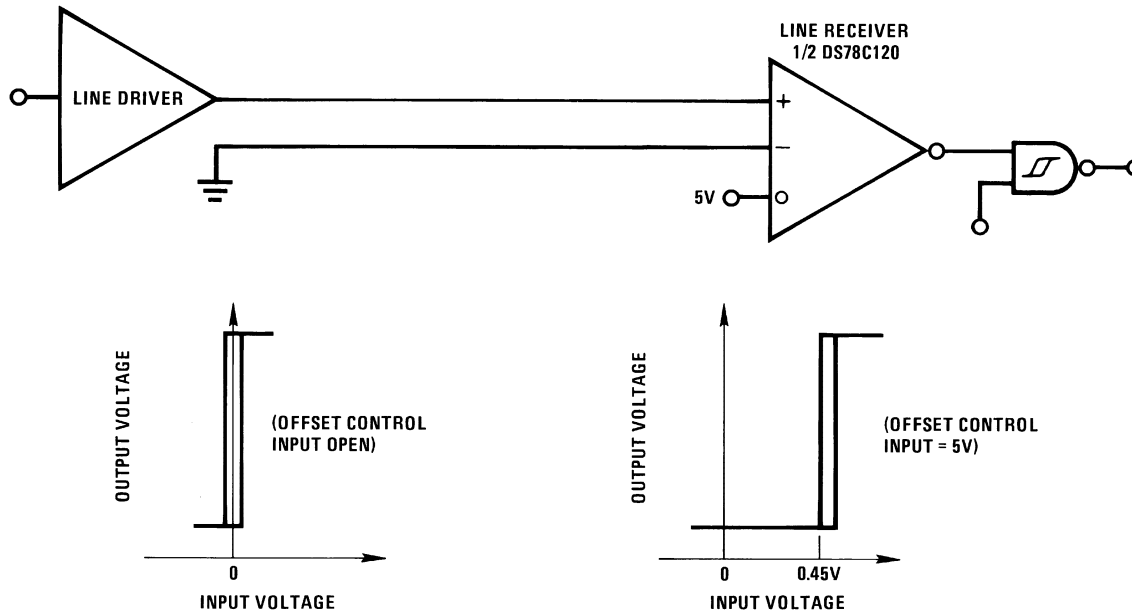


Figure 7. Unbalanced RS-423 and RS-232 Fail-Safe

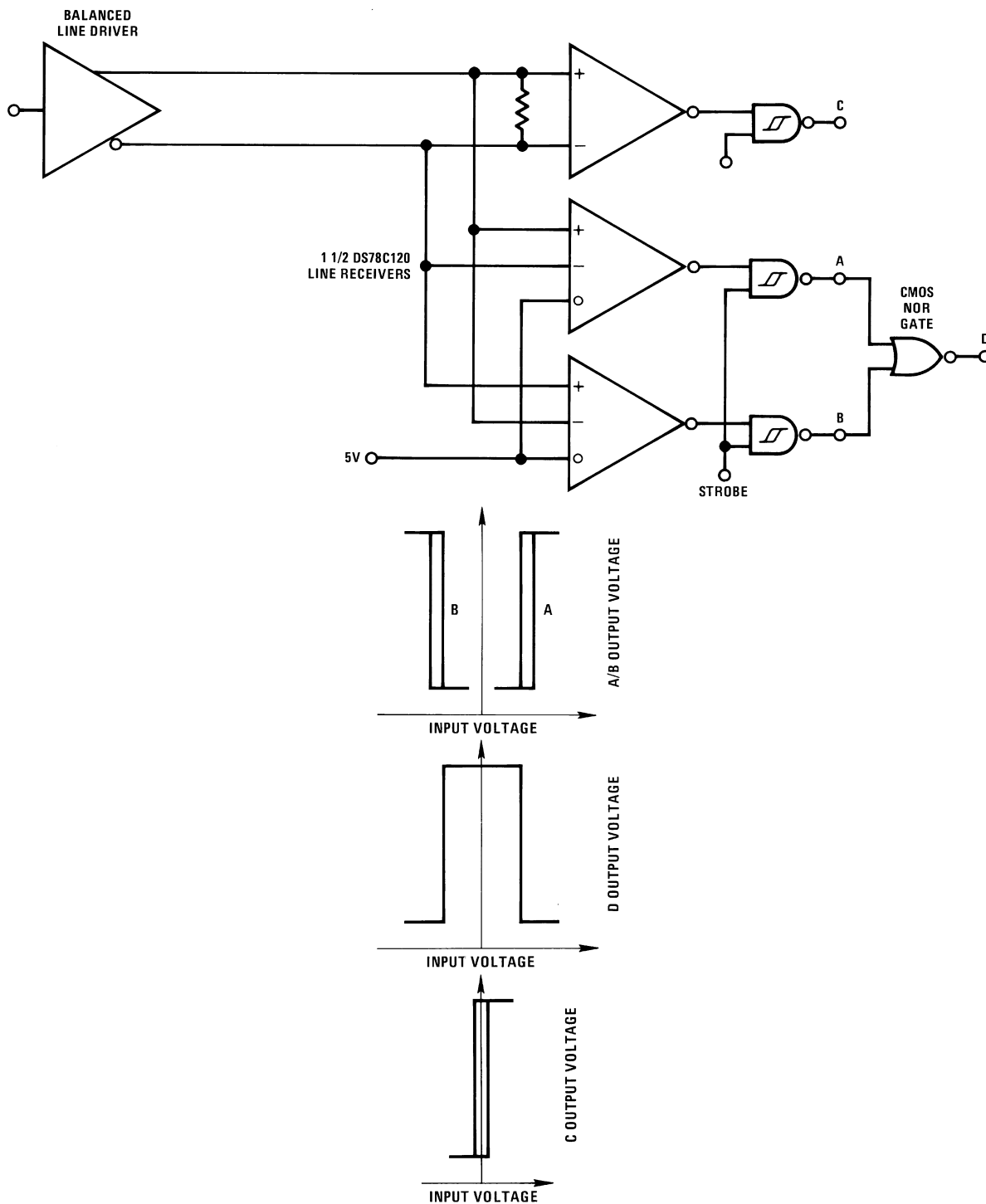


Figure 8. Balanced RS-422 Fail Safe

TRUTH TABLE

(For Balanced Fail-Safe)

Input	Strobe	A-OUT	B-OUT	C-OUT	D-OUT
0	1	0	1	0	0
1	1	1	0	1	0
X	1	0	0	X	1
0	0	1	1	0	0
1	0	1	1	0	0
X	0	1	1	0	0

REVISION HISTORY

Changes from Revision B (April 2013) to Revision C	Page
• Changed layout of National Data Sheet to TI format	10

IMPORTANT NOTICE

Texas Instruments Incorporated and its subsidiaries (TI) reserve the right to make corrections, enhancements, improvements and other changes to its semiconductor products and services per JESD46, latest issue, and to discontinue any product or service per JESD48, latest issue. Buyers should obtain the latest relevant information before placing orders and should verify that such information is current and complete. All semiconductor products (also referred to herein as "components") are sold subject to TI's terms and conditions of sale supplied at the time of order acknowledgment.

TI warrants performance of its components to the specifications applicable at the time of sale, in accordance with the warranty in TI's terms and conditions of sale of semiconductor products. Testing and other quality control techniques are used to the extent TI deems necessary to support this warranty. Except where mandated by applicable law, testing of all parameters of each component is not necessarily performed.

TI assumes no liability for applications assistance or the design of Buyers' products. Buyers are responsible for their products and applications using TI components. To minimize the risks associated with Buyers' products and applications, Buyers should provide adequate design and operating safeguards.

TI does not warrant or represent that any license, either express or implied, is granted under any patent right, copyright, mask work right, or other intellectual property right relating to any combination, machine, or process in which TI components or services are used. Information published by TI regarding third-party products or services does not constitute a license to use such products or services or a warranty or endorsement thereof. Use of such information may require a license from a third party under the patents or other intellectual property of the third party, or a license from TI under the patents or other intellectual property of TI.

Reproduction of significant portions of TI information in TI data books or data sheets is permissible only if reproduction is without alteration and is accompanied by all associated warranties, conditions, limitations, and notices. TI is not responsible or liable for such altered documentation. Information of third parties may be subject to additional restrictions.

Resale of TI components or services with statements different from or beyond the parameters stated by TI for that component or service voids all express and any implied warranties for the associated TI component or service and is an unfair and deceptive business practice. TI is not responsible or liable for any such statements.

Buyer acknowledges and agrees that it is solely responsible for compliance with all legal, regulatory and safety-related requirements concerning its products, and any use of TI components in its applications, notwithstanding any applications-related information or support that may be provided by TI. Buyer represents and agrees that it has all the necessary expertise to create and implement safeguards which anticipate dangerous consequences of failures, monitor failures and their consequences, lessen the likelihood of failures that might cause harm and take appropriate remedial actions. Buyer will fully indemnify TI and its representatives against any damages arising out of the use of any TI components in safety-critical applications.

In some cases, TI components may be promoted specifically to facilitate safety-related applications. With such components, TI's goal is to help enable customers to design and create their own end-product solutions that meet applicable functional safety standards and requirements. Nonetheless, such components are subject to these terms.

No TI components are authorized for use in FDA Class III (or similar life-critical medical equipment) unless authorized officers of the parties have executed a special agreement specifically governing such use.

Only those TI components which TI has specifically designated as military grade or "enhanced plastic" are designed and intended for use in military/aerospace applications or environments. Buyer acknowledges and agrees that any military or aerospace use of TI components which have **not** been so designated is solely at the Buyer's risk, and that Buyer is solely responsible for compliance with all legal and regulatory requirements in connection with such use.

TI has specifically designated certain components as meeting ISO/TS16949 requirements, mainly for automotive use. In any case of use of non-designated products, TI will not be responsible for any failure to meet ISO/TS16949.

Products

Audio	www.ti.com/audio
Amplifiers	amplifier.ti.com
Data Converters	dataconverter.ti.com
DLP® Products	www.dlp.com
DSP	dsp.ti.com
Clocks and Timers	www.ti.com/clocks
Interface	interface.ti.com
Logic	logic.ti.com
Power Mgmt	power.ti.com
Microcontrollers	microcontroller.ti.com
RFID	www.ti-rfid.com
OMAP Applications Processors	www.ti.com/omap
Wireless Connectivity	www.ti.com/wirelessconnectivity

Applications

Automotive and Transportation	www.ti.com/automotive
Communications and Telecom	www.ti.com/communications
Computers and Peripherals	www.ti.com/computers
Consumer Electronics	www.ti.com/consumer-apps
Energy and Lighting	www.ti.com/energy
Industrial	www.ti.com/industrial
Medical	www.ti.com/medical
Security	www.ti.com/security
Space, Avionics and Defense	www.ti.com/space-avionics-defense
Video and Imaging	www.ti.com/video

TI E2E Community

e2e.ti.com