

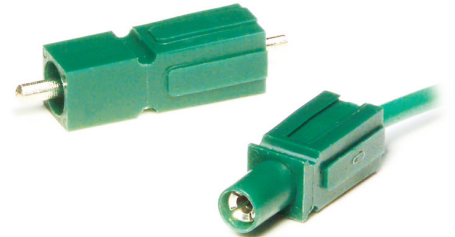
Powerpole® pin & socket series connector, designed as ground terminal are for make-first/break-last connections.

The dovetail feature allows you to interlock multiple housings into vertical and horizontal configurations, providing you with unique variations that are specific to each individual project requirement.

Powerpole® connectors provide 600 Volts continuous, AC or DC operation. This series accommodates 10 AWG (5.3 mm<sup>2</sup>).


## FEATURES

- **Make-first/Break-last connection**  
*Provides safety and system integrity*
- **Green housing**  
*Indicates ground terminal*
- **Molded-in dovetails**  
*Can be assembled into "keyed" configurations to preclude misconnections*



## PRODUCT SPECIFICATIONS

Connector Model	PP30 P & S	Connector Model	PP30 P & S
UL Current Rating (Amperes)*	30****	No load (Contact/Disconnect Cycles)	To 250
UL Voltage Ratings (Volts)**	600*	Avg. Connection/Disconnect (lbf)	3
Contact Barrel Wire Size (AWG)	10	Operating Temperature Range °C***	-20° to 105°
(mm <sup>2</sup> )	5.3	°F	-4° to 221°
Maximum Wire Insulation Diameter (inches)	0.175	Flammability Rating of Housing Material	UL94 V-0
(mm)	4.45		
AVG Contact Resistance* (micro-ohms)	600		
Insulation Withstanding Test Voltage (Volts AC/DC)	2200		
Contact Retention Force (lbf)	25		



\* UL Rated for 65°C largest wire or cable size  
 \*\* Both AC & DC Voltage  
 \*\*\* Contact factory for higher temperature rated connectors  
 \*\*\*\* Based on 10 AWG

## ORDERING INFORMATION

### 30 amp Ground Socket Connectors

Part Number	Description	Wire	
		AWG	mm
PP30MF-S10T	Make First, Socket Tin	10	3.3

### 30 amp Ground Pin Connectors

Part Number	Description	Wire	
		AWG	mm
PP30MF-P10T	Make First, Pin Tin	10	3.3
PP30MF-PPCT	Make First, Pin PC Tin	NA	NA

### Ground Pin Contacts

Part Number	Description	Dia.
1230G1	Individual, Pin for wire Tin	0.134
1234G1	Pin, PCB Tin	N/A

### Ground Socket Contacts

Part Number	Description	Dia.
1232G1	Individual, Socket for wire Tin	0.134

### Pin & Socket Housing Only

Part Number	Description
PP30GND-P	Pin housing, green
PP30GND-S	Socket housing, green

### Pin & Socket Contacts For Use With Superflex Wire

Part Number	Description	Wire	
		AWG	mm
1226G1	Pin Contact	10	6
1228G1	Socket Contact	10	6

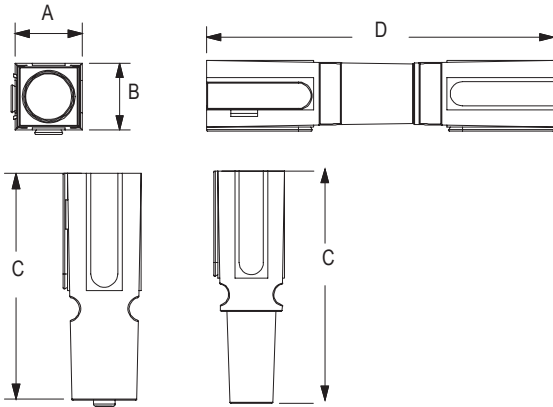
### Tooling

Part Number	Description
1396G1	Hand Tool
1387G1	Pneumatic Tool
1388G8	- Die 10 AWG
1389G8	- Locator 10 AWG

## DIMENSIONS

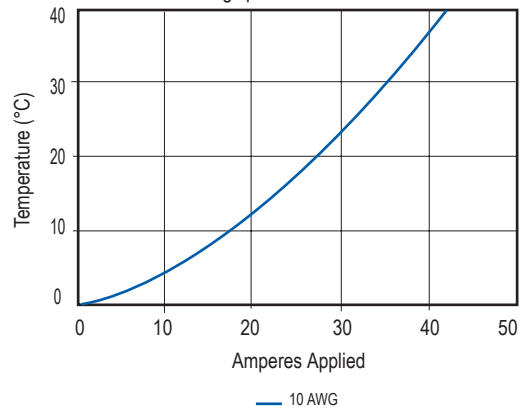
### Housings

Series	-A-		-B-		-C-		-D-	
	mm	in.	mm	in.	mm	in.	mm	in.
PP30 Pin	7.9	0.32	7.9	0.32	24.6	0.97	41.2	1.62
PP30 Socket	7.9	0.32	7.9	0.32	24.6	0.97	41.2	1.62



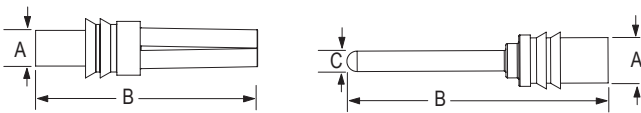
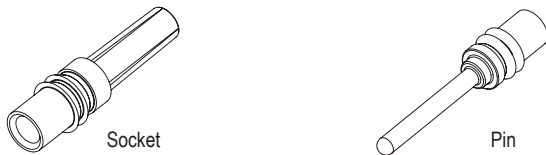
## TEMPERATURE RISE CHART

PP30 Ground Pin and Socket  
Singlepole on 10 AWG Wire



### Contacts

Series	-A-		-B-		-C-	
	mm	in.	mm	in.	mm	in.
PP30 Pin	5.1	0.20	29.2	1.15	2.29	0.09
PP30 Socket	5.1	0.20	24.9	0.98	N/A	N/A



All Data Subject to Change Without Notice 2021-0020 DS-PP30PS Rev 7

**Your Best Connection™**

Anderson™ will use reasonable efforts to include accurate and up-to-date content in the data sheet. All product information contained in the data sheet including ordering information, illustrations, specifications, and dimensions, are believed to be reliable as of the date of publishing, but is subject to change without notice. Anderson™ makes no warranty or representation as to its accuracy. Content in the data sheet may contain technical inaccuracies, typographical errors and may be changed or updated without notice. Anderson™ may also make improvements and/or changes to the products and/or to the programs described in the content at any time without notice. Current sales drawings and specifications are available upon request.

©2021 Anderson Power Products, Inc. All rights reserved. Powerpole®, APP®, Anderson Power Products® and the APP logo are registered trademarks of Anderson Power Products, Inc. Your Best Connection™ is a trademark of Anderson Power Products, Inc.



**HEADQUARTERS:** Anderson Power Products®, 13 Pratts Junction Road, Sterling, MA 01564-2305 USA T:978-422-3600 F:978-422-0128 • **EUROPE:** Anderson Power Products® Ltd., Unit 3, Europa Court, Europa Boulevard, Westbrook, Warrington, Cheshire, WA5 7TN United Kingdom T: +44 (0) 1925 428390 F: +44 (0) 1925 520203 • **ASIA / PACIFIC:** IDEAL Anderson Asia Pacific Ltd., Unit 922-928 Topsail Plaza, 11 On Sum Street, Shatin N.T., Hong Kong T:+(852) 2636 0836 F:+(852) 2635 9036 • **CHINA:** IDEAL Anderson Technologies (Shenzhen) Ltd., Block A8 Tantou Western Industrial Park, Songgang Baoan District, Shenzhen, PR. China 518105 T: +(86) 755 2768 2118 F: +(86) 755 2768 2218 • **INDIA:** IDEAL INDUSTRIES India Private Limited, 229-230, SPAZEDGE, Tower B, Sector 47, Sohna Road, Gurgaon – 122001, Haryana, India T: +(91) 956 007 5905 [www.ideal-industries.in](http://www.ideal-industries.in) • [www.andersonpower.com](http://www.andersonpower.com)