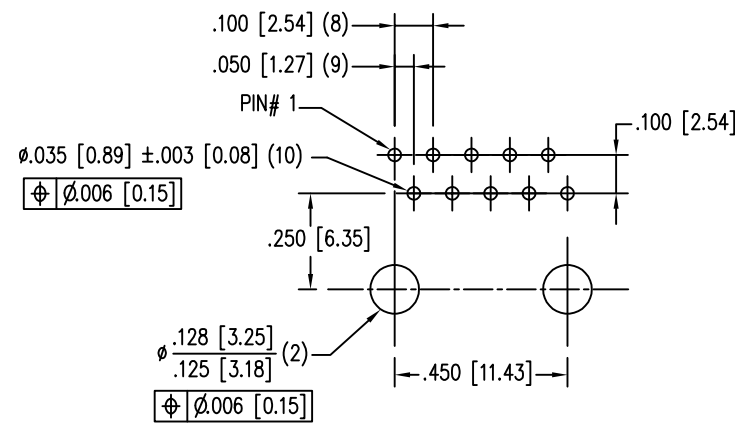
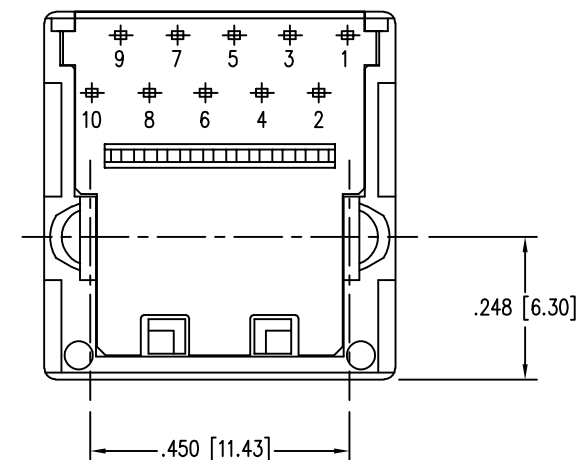
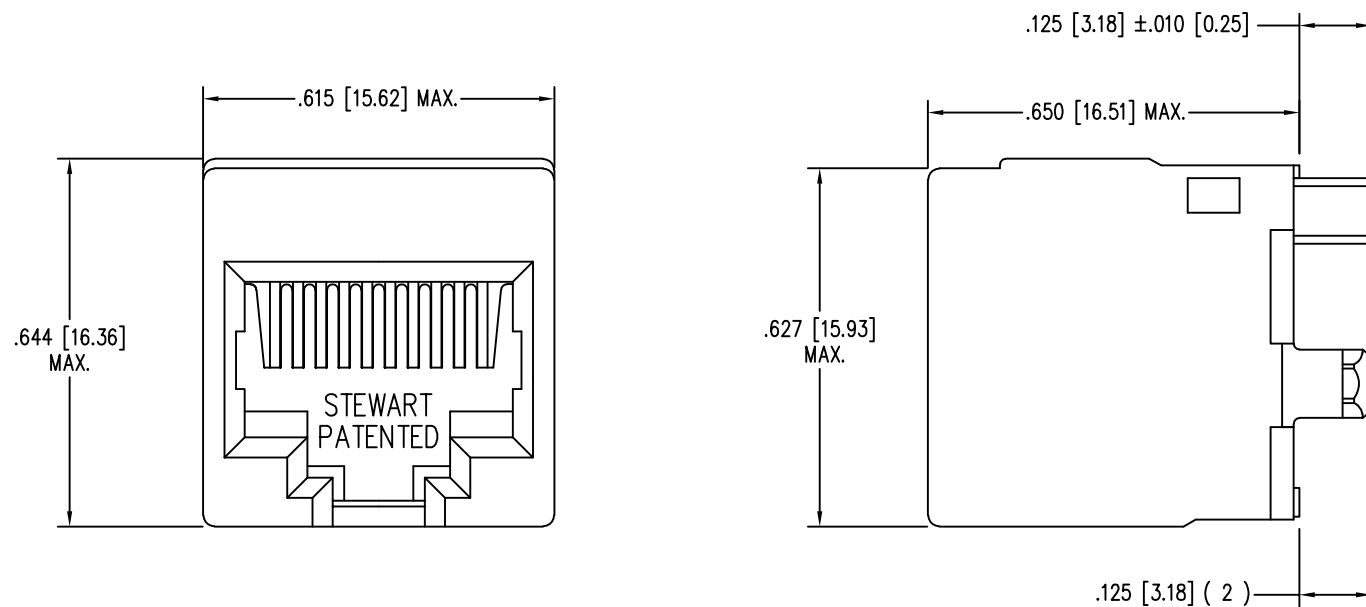


| DATE | REV | ECN | APP'D. BY |
|---------|-----|-------|-----------|
| 3-16-16 | B2 | 10624 | TRM |
| 4-11-18 | B3 | 11224 | TRM |
| | | | |
| | | | |



P.C.B. RECOMMENDED HOLE LAYOUT
SEEN FROM COMPONENT SIDE
ALL CENTERLINE DIMENSIONS ARE BASIC.

- NOTES:
- CONNECTOR MATERIALS:
HOUSING: THERMOPLASTIC, UL94 V-0
CONTACTS: COPPER ALLOY
CONTACT PLATING: SELECTIVE GOLD OR EQUIVALENT
IN THE CONTACT AREA
SEE CHART FOR PART NUMBER
 - FOR PRODUCT SPECIFICATIONS SEE PR022-01.
 - DIMENSIONS AND TOLERANCES COMPLY WITH TIA-1096 STANDARD.

| | |
|-----------------------------------|--------------|
| 30 MICRO-INCHES [0.76um] | SS65100-031F |
| CONTACT PLATING IN MATING AREA | PART NUMBER |



| | |
|--|--|
| THIRD ANGLE PROJECTION |  1118 Susquehanna Trail South Glen Rock, PA 17327-9199 (717) 235-7512 http://www.stewartconnector.com |
| DO NOT SCALE DRAWING DRAWING IS SUBJECT TO CHANGE WITHOUT NOTICE | |
| DIMENSIONS: INCHES [METRIC] | TITLE: TEN CONTACT, TEN POSITION VERTICAL MOUNT UNSHIELDED JACK, NON-FLANGE |
| UNLESS OTHERWISE SPECIFIED TOLERANCES ARE ±.005 [0.13] ANGLES ARE ± 1° | DRN BY: RVO DATE: 1-27-05 |
| SHEET NO. 1 OF 1 | APPD BY: RGC DATE: 2-22-05 |
| | DWG NO. CT650040F REV. B3 |