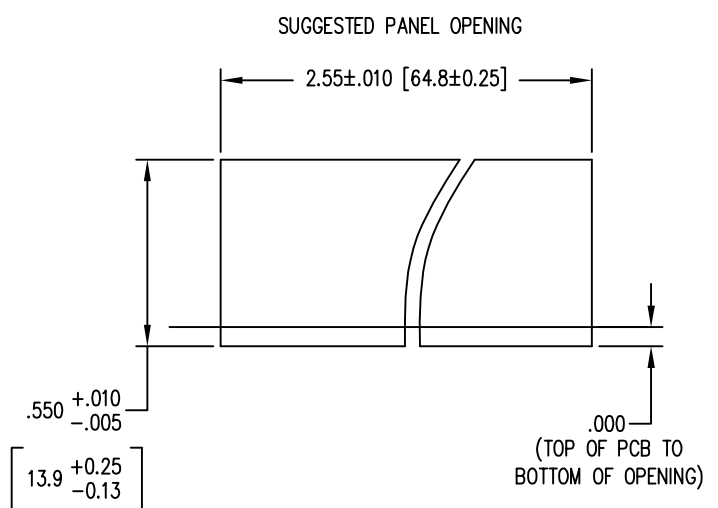
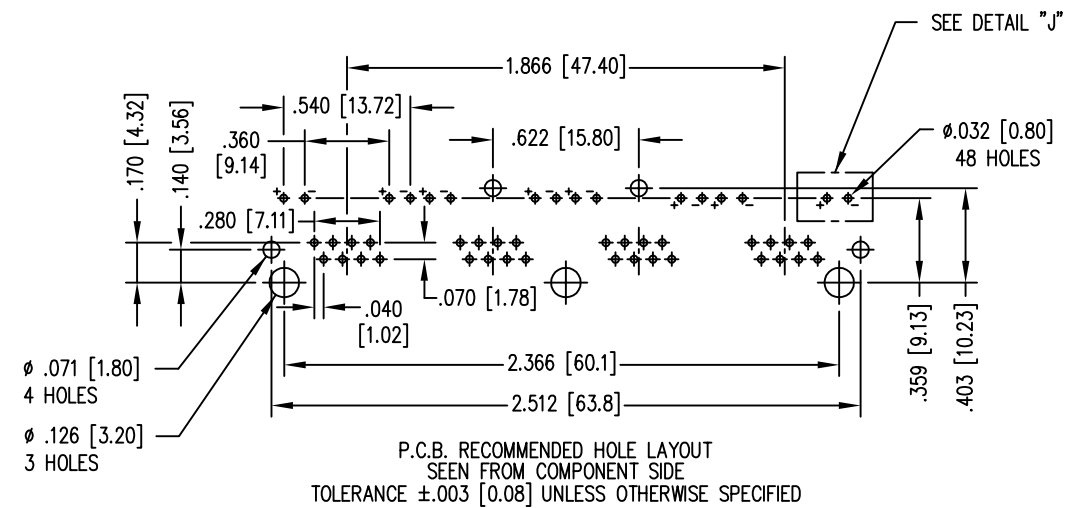
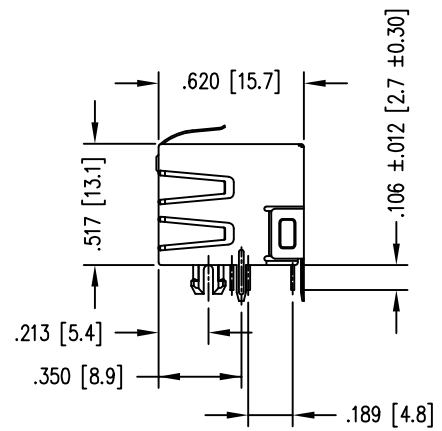
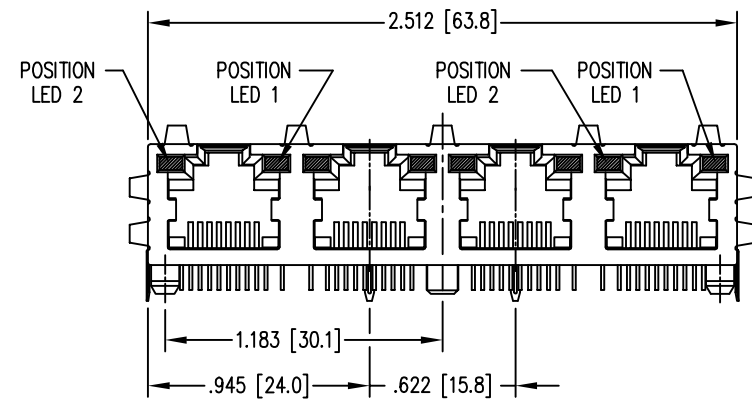
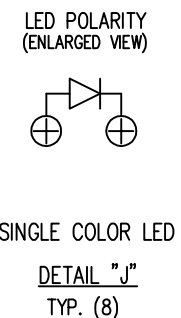
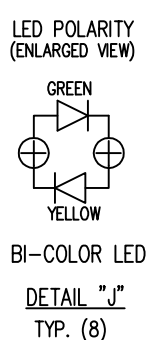


DATE	REV	ECN	APP'D. BY
1-19-15	A8	10215	TRM
3-16-16	A9	10615	TRM



- NOTES:
- CONNECTOR MATERIALS:
 HOUSING: PBT+30%G.F. UL94V-0. STANDARD COLOR: BLACK
 INSERT: PBT+30%G.F. UL94V-0. STANDARD COLOR: BLACK
 LENS: PC UL94V-0. STANDARD COLOR: CLEAR
 BACK: PBT+30%G.F. STANDARD COLOR: BLACK
 LED 3.2 x 2.0 x 4.0 x P=2.29mm.
 SHIELD: COPPER ALLOY 0.25mm THICKNESS.
 CONTACT: 0.35mm (.014") THICKNESS GOLD PLATING OVER NICKEL PHOSPHOR BRONZE ALLOY SELECTIVE.
 - FOR PRODUCT SPECIFICATION SEE PR022-01

GREEN	RED	SS-74404-004
GREEN	YELLOW	SS-74404-002
POSITION 2	POSITION 1	PART NUMBER
INDICATOR COLOR		



THIRD ANGLE PROJECTION

DO NOT SCALE DRAWING
DRAWING IS SUBJECT TO CHANGE WITHOUT NOTICE

DIMENSIONS: INCHES [METRIC]

UNLESS OTHERWISE SPECIFIED
TOLERANCES ARE ±.005 [0.13]
ANGLES ARE ± 1°

SHEET NO. 1 OF 1

1118 Susquehanna Trail South
Glen Rock, PA 17327-9199
(717) 235-7512
<http://www.stewartconnector.com>

TITLE: 4 PORT PCB HARMONICA LED JACK PAC
EMI-RFI ONE PIECE SHIELDED, ESD GROUNDED

DRN BY: TRM	DATE 9-24-01
APPD BY: RGC	DATE 9-25-01
DWG NO. CT740082	REV. A9

THIS DRAWING AND THE SUBJECT MATTER SHOWN THEREON ARE CONFIDENTIAL AND THE PROPRIETARY PROPERTY OF STEWART CONNECTOR AND SHALL NOT BE REPRODUCED, COPIED, OR USED IN ANY MANNER WITHOUT PRIOR WRITTEN CONSENT OF STEWART CONNECTOR. ONE OR MORE U.S. PATENTS MAY APPLY TO THIS PRODUCT. FOR DETAILS, PLEASE VISIT: [HTTP://BELFUSE.COM/STEWART/STEWART_PATENTS/](http://BELFUSE.COM/STEWART/STEWART_PATENTS/)