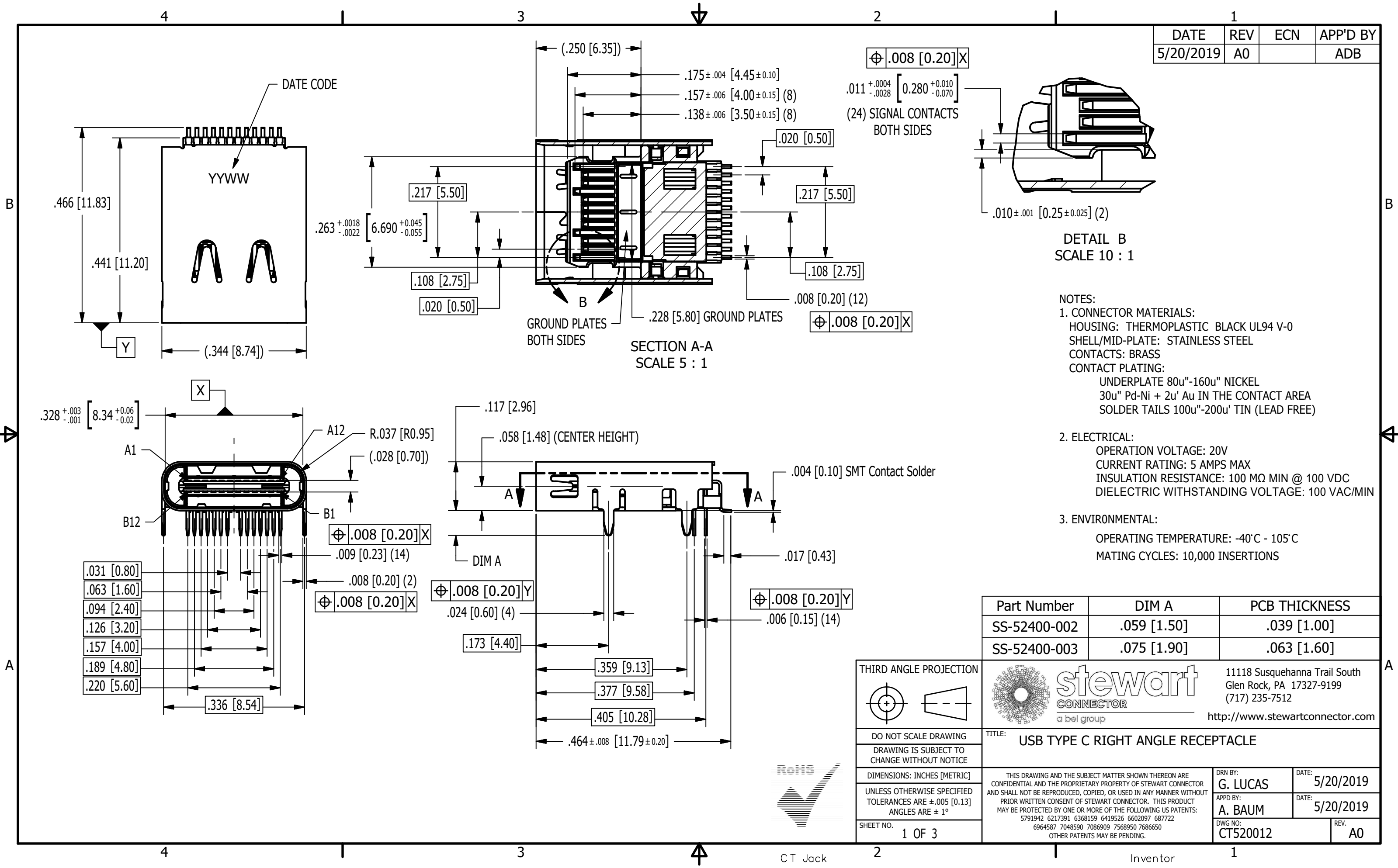


DATE	REV	ECN	APP'D BY
5/20/2019	A0		ADB



- NOTES:
- CONNECTOR MATERIALS:
HOUSING: THERMOPLASTIC BLACK UL94 V-0
SHELL/MID-PLATE: STAINLESS STEEL
CONTACTS: BRASS
CONTACT PLATING:
UNDERPLATE 80u"-160u" NICKEL
30u" Pd-Ni + 2u" Au IN THE CONTACT AREA
SOLDER TAILS 100u"-200u" TIN (LEAD FREE)
 - ELECTRICAL:
OPERATION VOLTAGE: 20V
CURRENT RATING: 5 AMPS MAX
INSULATION RESISTANCE: 100 MΩ MIN @ 100 VDC
DIELECTRIC WITHSTANDING VOLTAGE: 100 VAC/MIN
 - ENVIRONMENTAL:
OPERATING TEMPERATURE: -40°C - 105°C
MATING CYCLES: 10,000 INSERTIONS

Part Number	DIM A	PCB THICKNESS
SS-52400-002	.059 [1.50]	.039 [1.00]
SS-52400-003	.075 [1.90]	.063 [1.60]

THIRD ANGLE PROJECTION

DO NOT SCALE DRAWING
DRAWING IS SUBJECT TO CHANGE WITHOUT NOTICE

DIMENSIONS: INCHES [METRIC]

UNLESS OTHERWISE SPECIFIED TOLERANCES ARE ±.005 [0.13] ANGLES ARE ± 1°

SHEET NO. 1 OF 3

stewart CONNECTOR a bel group

11118 Susquehanna Trail South
Glen Rock, PA 17327-9199
(717) 235-7512
<http://www.stewartconnector.com>

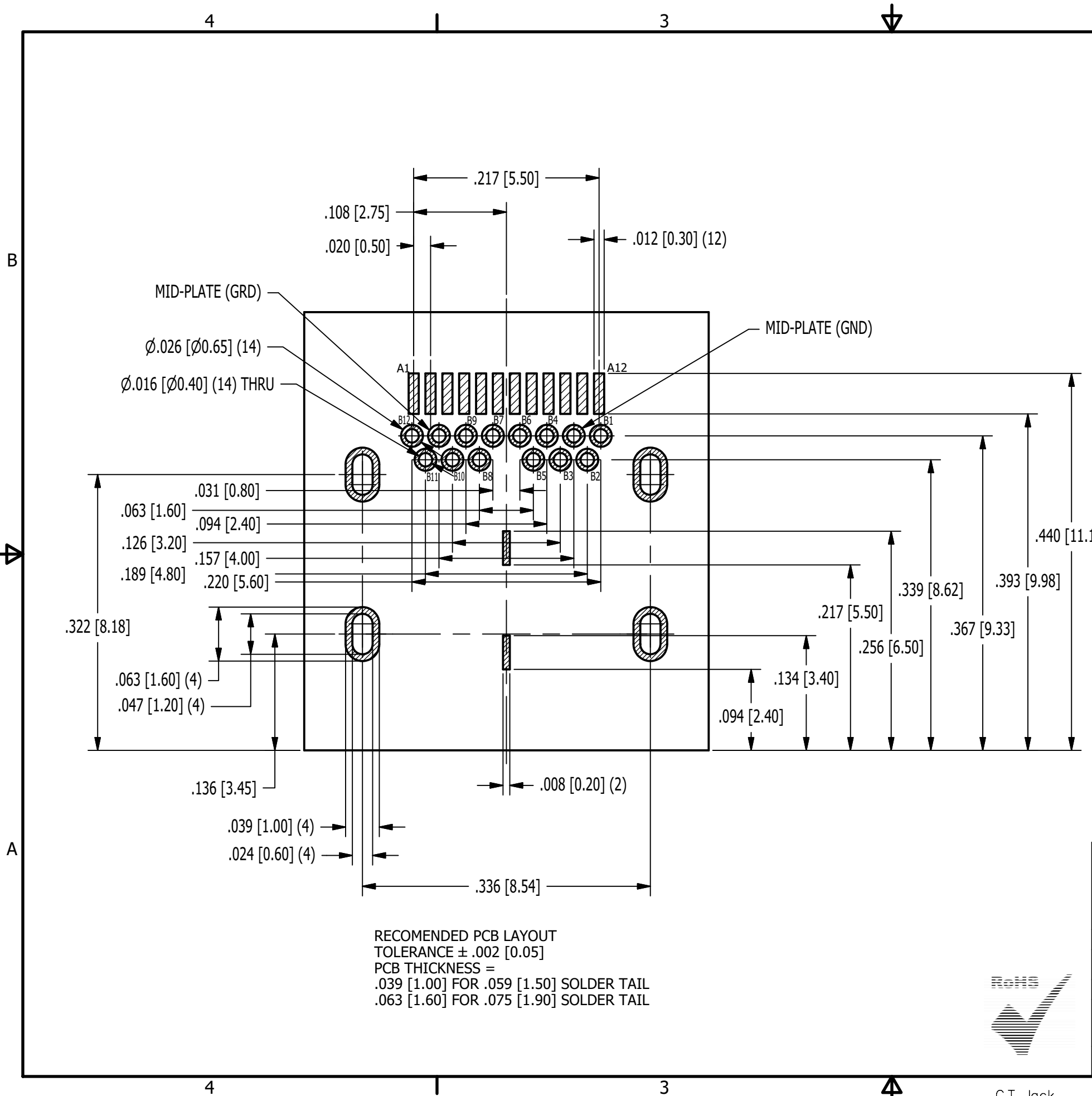
TITLE: USB TYPE C RIGHT ANGLE RECEPTACLE

DRN BY: G. LUCAS	DATE: 5/20/2019
APPD BY: A. BAUM	DATE: 5/20/2019
DWG NO: CT520012	REV. A0

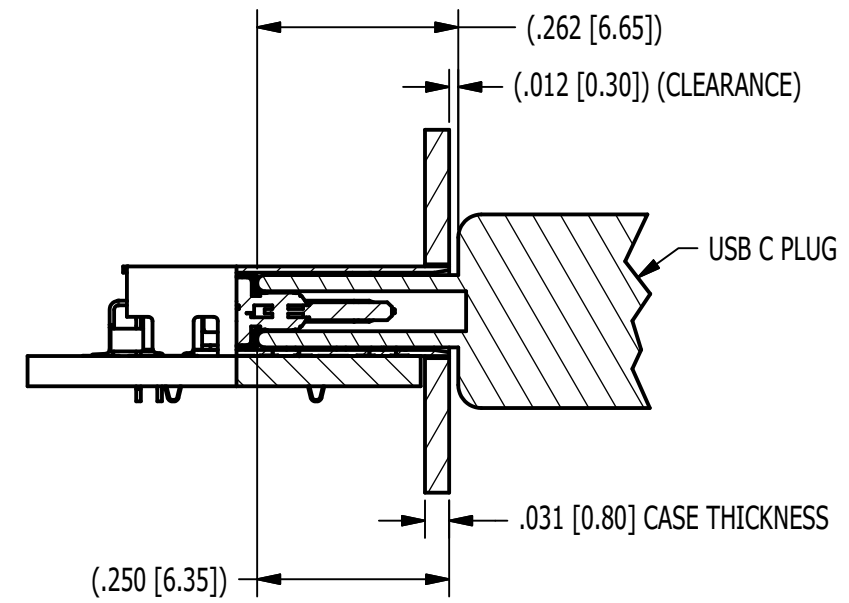


CT Jack

Inventor



USB TYPE C ASSIGNMENTS			
PIN NUMBER	SIGNAL NAME	PIN NUMBER	SIGNAL NAME
A1	GND	B12	GND
A2	SSTXp1	B11	SSRXp1
A3	SSTXn1	B10	SSRXn1
A4	VBUS	B9	VBUS
A5	CC1	B8	SBU2
A6	Dp1	B7	Dn2
A7	Dn1	B6	Dp2
A8	SBU1	B5	CC2
A9	VBUS	B4	VBUS
A10	SSRXn2	B3	SSTXn2
A11	SSRXp2	B2	SSTXp2
A12	GND	B1	GND



RECOMENDED PCB LAYOUT
 TOLERANCE ± .002 [0.05]
 PCB THICKNESS =
 .039 [1.00] FOR .059 [1.50] SOLDER TAIL
 .063 [1.60] FOR .075 [1.90] SOLDER TAIL



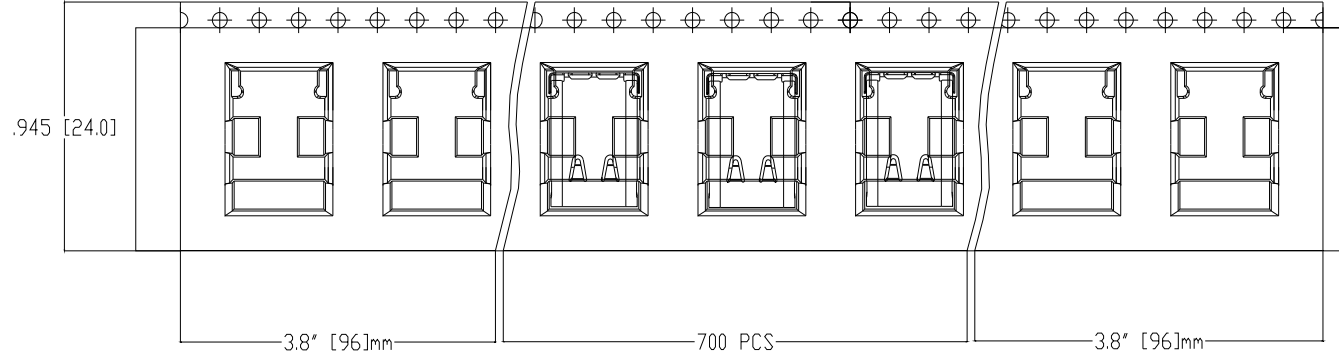
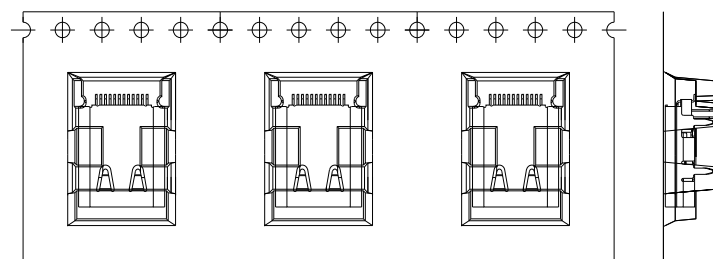
THIRD ANGLE PROJECTION 	 stewart CONNECTOR a bel group	11118 Susquehanna Trail South Glen Rock, PA 17327-9199 (717) 235-7512 http://www.stewartconnector.com
DO NOT SCALE DRAWING DRAWING IS SUBJECT TO CHANGE WITHOUT NOTICE	TITLE: USB TYPE C RIGHT ANGLE RECEPTACLE	
DIMENSIONS: INCHES [METRIC]	THIS DRAWING AND THE SUBJECT MATTER SHOWN THEREON ARE CONFIDENTIAL AND THE PROPRIETARY PROPERTY OF STEWART CONNECTOR AND SHALL NOT BE REPRODUCED, COPIED, OR USED IN ANY MANNER WITHOUT PRIOR WRITTEN CONSENT OF STEWART CONNECTOR. THIS PRODUCT MAY BE PROTECTED BY ONE OR MORE OF THE FOLLOWING US PATENTS: 5791942 6217391 6368159 6419526 6602097 687722 6964587 7048590 7086909 7568950 7686650 OTHER PATENTS MAY BE PENDING.	
UNLESS OTHERWISE SPECIFIED TOLERANCES ARE ±.005 [0.13] ANGLES ARE ± 1°	DRN BY: G. LUCAS	DATE: 5/20/2019
SHEET NO. 2 OF 3	APPD BY: A. BAUM	DATE: 5/20/2019
	DWG NO: CT520012	REV. A0

4

3

2

1



COVER TAPE

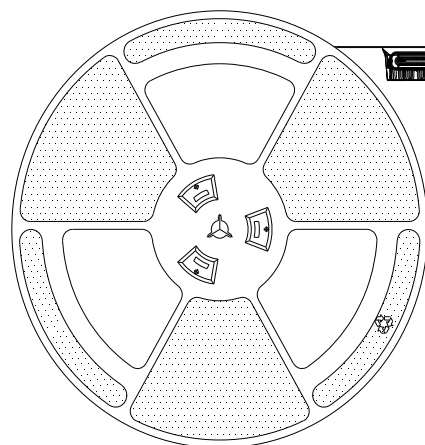
3.8" [96]mm

700 PCS

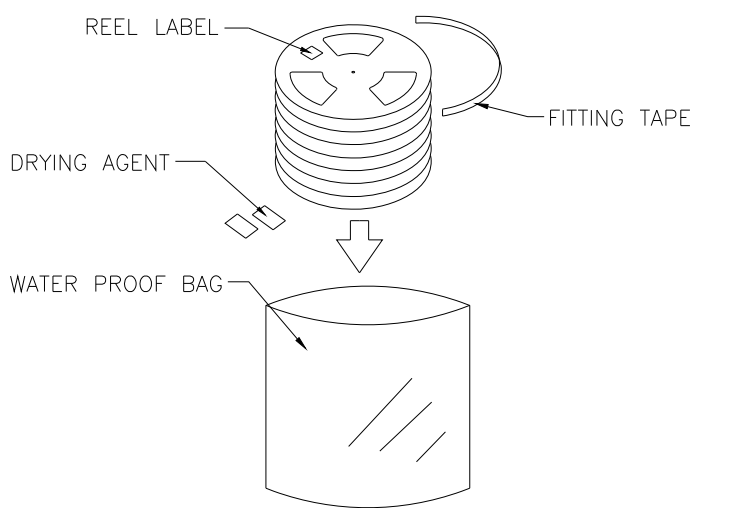
3.8" [96]mm

B

B



DIRECTION OF UNREELING



REEL LABEL

FITTING TAPE

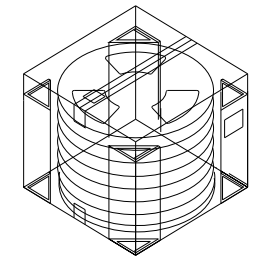
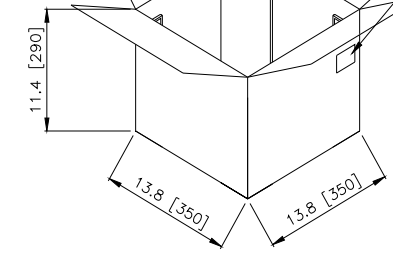
DRYING AGENT

WATER PROOF BAG

TRIANGLE CYLINDER CARDBOARD

CARTON

CARTON LABEL

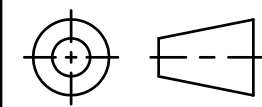


700 PCS/REEL
9 REELS =
6300 PCS?CARTON



CT Jack

THIRD ANGLE PROJECTION



DO NOT SCALE DRAWING
DRAWING IS SUBJECT TO
CHANGE WITHOUT NOTICE

DIMENSIONS: INCHES [METRIC]
UNLESS OTHERWISE SPECIFIED
TOLERANCES ARE ±.005 [0.13]
ANGLES ARE ± 1°

SHEET NO.
3 OF 3



11118 Susquehanna Trail South
Glen Rock, PA 17327-9199
(717) 235-7512
<http://www.stewartconnector.com>

TITLE: **USB TYPE C RIGHT ANGLE RECEPTACLE**

THIS DRAWING AND THE SUBJECT MATTER SHOWN THEREON ARE CONFIDENTIAL AND THE PROPRIETARY PROPERTY OF STEWART CONNECTOR AND SHALL NOT BE REPRODUCED, COPIED, OR USED IN ANY MANNER WITHOUT PRIOR WRITTEN CONSENT OF STEWART CONNECTOR. THIS PRODUCT MAY BE PROTECTED BY ONE OR MORE OF THE FOLLOWING US PATENTS: 5791942 6217391 6368159 6419526 6602097 687722 6964587 7048590 7086909 7568950 7686650 OTHER PATENTS MAY BE PENDING.		DRN BY: G. LUCAS	DATE: 5/20/2019
		APPD BY: A. BAUM	DATE: 5/20/2019
		DWG NO: CT520012	REV. A0

4

3

2

1

A

A

Inventor