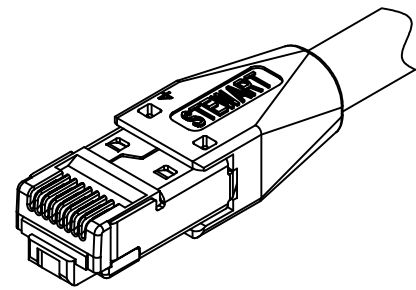
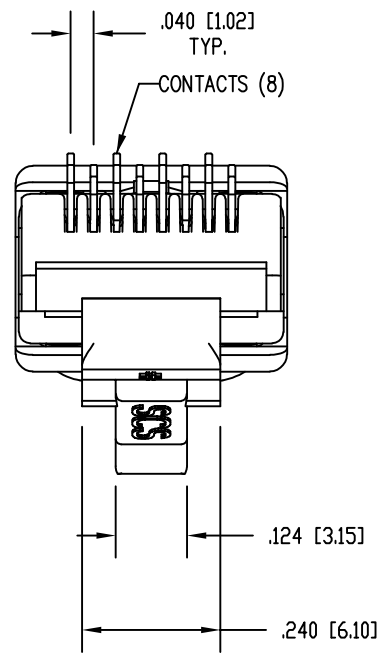
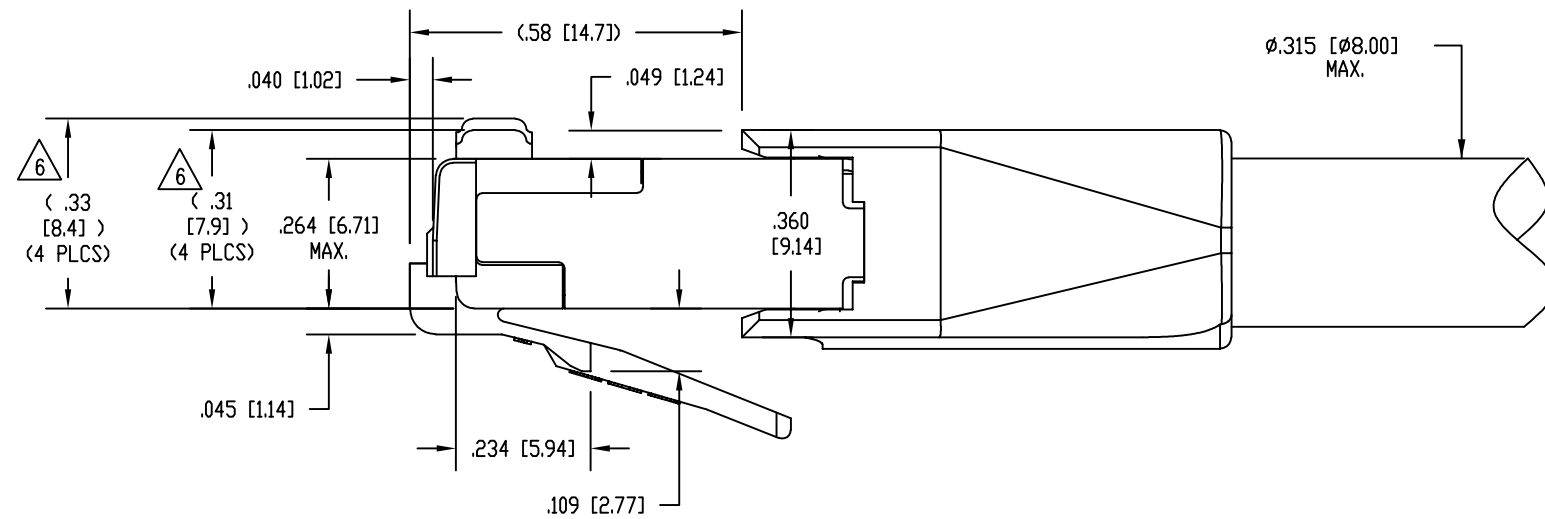
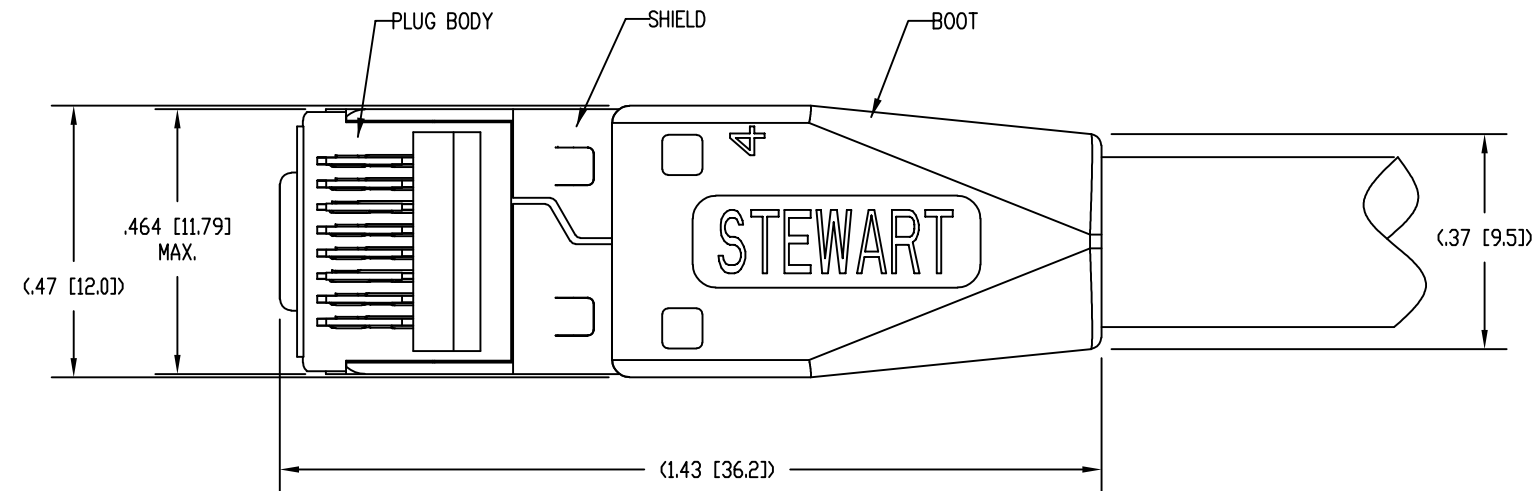


DATE	REV	ECN	APP'D. BY
4-20-17	A0	-	TRM



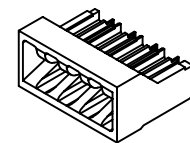
ISOMETRIC VIEW OF TERMINATED PLUG



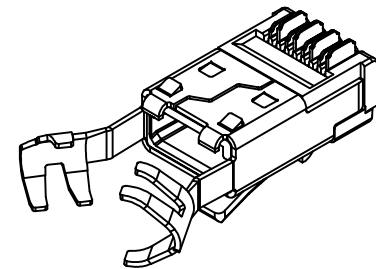
NOTES:

- PLUG KIT CONSISTS OF:
PRE-INSERTED PLUG BODY WITH SHIELD
LOAD BAR
BOOT
- MATERIALS:
PLUG BODY: CLEAR POLYCARBONATE, UL 94-V0
BOOT : BLACK POLYCARBONATE, UL 94-V0
LOAD BAR: CLEAR POLYCARBONATE, UL 94-V0
CONTACTS: COPPER ALLOY, SELECTIVE GOLD PLATING
SHIELD: COPPER ALLOY, NICKEL PLATE
- FOR PRODUCT SPECIFICATION SEE PR026-01.
- CONTACTS TERMINATE SOLID OR STRANDED CONDUCTORS BETWEEN .056 [1.42] TO .062 [1.57] OUTSIDE DIAMETER OF INSULATION.
- CRIMP IS FOR CABLES WITH OUTSIDE NOMINAL DIAMETERS OF .270 [6.86] TO .315 [8.00].
- CONTACT HEIGHT BEFORE TERMINATION. AFTER TERMINATION, THE CONTACT HEIGHT IS .237 [6.02] ±.005 [0.13].
- DIMENSIONS AND TOLERANCES COMPLY WITH TIA-1096 STANDARD FORMERLY FCC/CFR 47, PART 68.
- INDIVIDUALLY BAGGED PLUG KITS (1 EACH PLUG BODY, LOAD BAR, AND BOOT) PACKAGED 25 PER BOX.

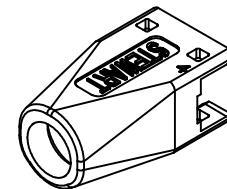
BULK	50 MICRO-INCHES [1.27um]	SS-39200-064
BAGGED	50 MICRO-INCHES [1.27um]	SS-39200-063
PACKAGING	CONTACT PLATING IN MATING AREA	PART NUMBER



LOAD BAR
39200-933



PRE-INSERTED PLUG
BODY WITH SHIELD
39200-321

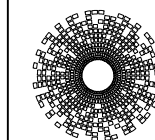
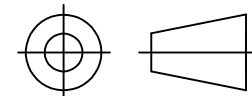


BOOT
39200-926

RoHS



THIRD ANGLE PROJECTION



stewart
CONNECTOR
a bel group

11118 Susquehanna Trail South
Glen Rock, PA 17327-9199
(717) 235-7512

<http://www.stewartconnector.com>

DO NOT SCALE DRAWING
DRAWING IS SUBJECT TO
CHANGE WITHOUT NOTICE

DIMENSIONS: INCHES [METRIC]
UNLESS OTHERWISE SPECIFIED
TOLERANCES ARE ±.005 [0.13]
ANGLES ARE ± 1°

SHEET NO. 1 OF 1

TITLE: 8 CONDUCTOR, 8 POSITION SHIELDED PLUG, WITH BOOT,
FOR .062 MAX DIA WIRE, .315 (8mm) MAX CABLE

THIS DRAWING AND THE SUBJECT MATTER SHOWN THEREON
ARE CONFIDENTIAL AND THE PROPRIETARY PROPERTY OF
STEWART CONNECTOR AND SHALL NOT BE REPRODUCED,
COPIED, OR USED IN ANY MANNER WITHOUT PRIOR WRITTEN
CONSENT OF STEWART CONNECTOR. ONE OR MORE U.S. PATENTS
MAY APPLY TO THIS PRODUCT. FOR DETAILS, PLEASE
VISIT: [HTTP://BELFUSE.COM/STEWART/STEWART_PATENTS/](http://BELFUSE.COM/STEWART/STEWART_PATENTS/)

DRN BY:	DHG	DATE	4-20-17
APPD BY:	TRM	DATE	4-20-17
DWG NO.	CT390183	REV.	A0