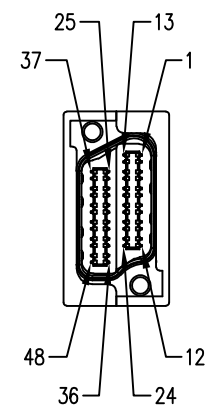
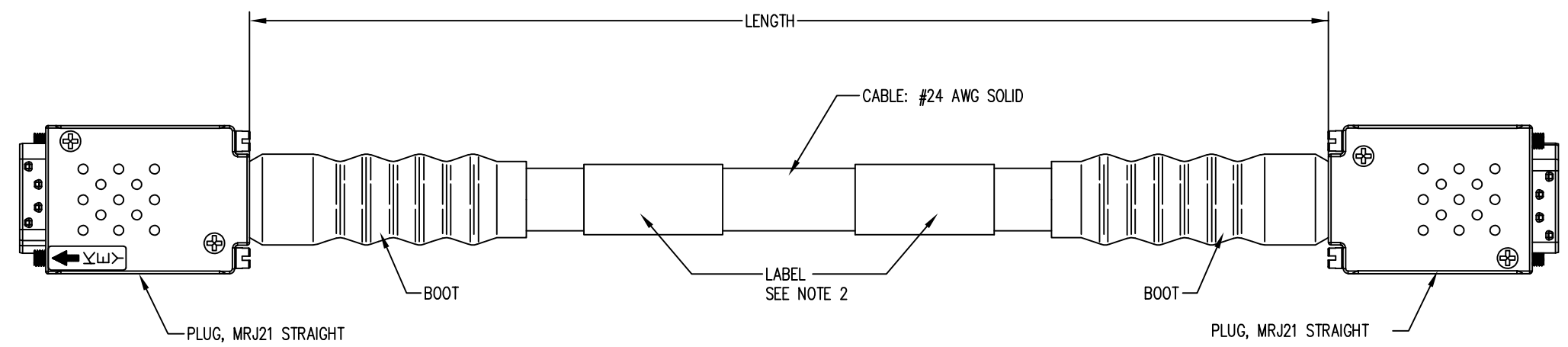
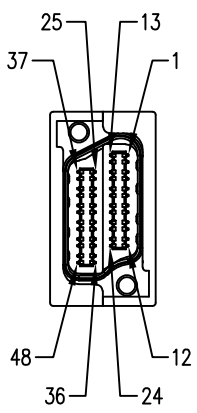


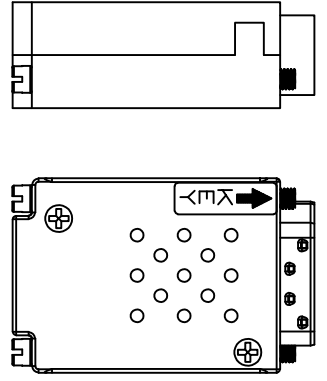
DATE	REV	ECN	APP'D. BY
7-22-14	A2	10060	SMN
3-18-15	A3	10282	SMN
10-08-20	A4	11635	BTS
10-27-20	B0	11607	JE



PART NUMBER KEY

MRJ xxxx DD-x

- MINI RJ FAMILY
- LENGTH (m)
xxx.x = 0.5m THRU 100.0m
0.5m INCREMENTS
- END CONFIGURATIONS
D = MRJ21 PLUG, STRAIGHT
- CABLE TYPE
A = WHITE CM UTP
C = GREY CMP UTP

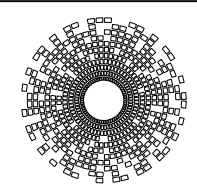


TYPICAL PART NUMBERS		
PART NUMBER	LENGTH METERS [INCHES]	CABLE TYPE
MRJ0010DD-A	1.0 [39.37]	CM
MRJ0010DD-C	1.0 [39.37]	CMP
MRJ0030DD-A	3.0 [118.1]	CM
MRJ0030DD-C	3.0 [118.1]	CMP
MRJ0050DD-A	5.0 [196.9]	CM
MRJ0050DD-C	5.0 [196.9]	CMP
MRJ0070DD-A	7.0 [275.6]	CM
MRJ0070DD-C	7.0 [275.6]	CMP
MRJ0100DD-A	10.0 [393.7]	CM
MRJ0100DD-C	10.0 [393.7]	CMP

FOR PART NUMBERS NOT SHOWN FOLLOW PART NUMBER KEY FORMAT

CABLE LENGTH = METERS [INCHES]	TOLERANCE = MM [INCHES]
0.5 [19.7] TO 2.5 [98.4]	+100 [3.90] / -0 [0.00]
3.0 [118] TO 9.5 [374]	+150 [5.91] / -0 [0.00]
10.0 [394] TO 19.5 [768]	+250 [9.84] / -0 [0.00]
20.0 [787] TO 49.5 [1949]	+350 [13.8] / -0 [0.00]
50.0 [1967] TO 69.5 [2736]	+500 [19.7] / -0 [0.00]
70.0 [2756] TO 100.0 [3937]	+1000 [39.4] / -0 [0.00]

- NOTES:
- CABLE ASSEMBLY 100% TESTED FOR OPEN AND SHORTS [300 VDC HIPOT] AND WIRING DIAGRAM
 - CABLES GREATER THAN 3 METERS WILL CONTAIN 2 LABELS.
 - UL LISTED TO FILE #E132408.
 - CAUTION: DO NOT EXCEED MINIMUM BEND RADIUS A = 5" C = 6.9"



stewart
CONNECTOR
a bel group

11118 Susquehanna Trail South
Glen Rock, PA 17327-9199
(717) 235-7512

<http://www.stewartconnector.com>

ASSEMBLY FORMAT REV. 6/3/05

MRJ21 IS A TRADEMARK OF TE CONNECTIVITY USED HERE BY PERMISSION	THIRD ANGLE PROJECTION	TITLE CABLE ASSEMBLY, UNSHIELDED MRJ21 STRAIGHT PLUG TO MRJ21 STRAIGHT PLUG	
	Do Not Scale Drawing	DESIGNED BY TRM	DATE 10-27-09
This drawing and the subject matter shown thereon are confidential and the proprietary property of Stewart Connector and shall not be reproduced, copied, or used in any manner without prior written consent of Stewart Connector. The subject matter may be patented or a patent may be pending.	PART NUMBER See Part Number Key	DRAWN BY TRM	DATE 10-27-09
	DRAWING NUMBER CT210027	APPROVED BY DRI	DATE 11-18-09
		SHEET 1 OF 2	SCALE None

MRJ21		MRJ21
1	———— WHT/BLU ————	1
2	———— BLU/WHT ————	2
13	———— WHT/ORG ————	13
14	———— ORG/WHT ————	14
3	———— WHT/GRN ————	3
4	———— GRN/WHT ————	4
15	———— WHT/BRN ————	15
16	———— BRN/WHT ————	16
25	———— WHT/GRY ————	25
26	———— GRY/WHT ————	26
37	———— RED/BLU ————	37
38	———— BLU/RED ————	38
27	———— RED/ORG ————	27
28	———— ORG/RED ————	28
39	———— RED/GRN ————	39
40	———— GRN/RED ————	40
5	———— RED/ BRN ————	5
6	———— BRN/RED ————	6
17	———— RED/GRY ————	17
18	———— GRY/RED ————	18
7	———— BLK/BLU ————	7
8	———— BLU/BLK ————	8
19	———— BLK/ORG ————	19
20	———— ORG/BLK ————	20

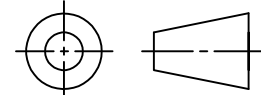
MRJ21		MRJ21
29	———— BLK/GRN ————	29
30	———— GRN/BLK ————	30
41	———— BLK/BRN ————	41
42	———— BRN/BLK ————	42
31	———— BLK/GRY ————	31
32	———— GRY/BLK ————	32
43	———— YEL/BLU ————	43
44	———— BLU/YEL ————	44
9	———— YEL/ORG ————	9
10	———— ORG/YEL ————	10
21	———— YEL/GRN ————	21
22	———— GRN/YEL ————	22
11	———— YEL/BRN ————	11
12	———— BRN/YEL ————	12
23	———— YEL/GRY ————	23
24	———— GRY/YEL ————	24
33	———— VIO/BLU ————	33
34	———— BLU/VIO ————	34
45	———— VIO/ORG ————	45
46	———— ORG/VIO ————	46
35	———— VIO/GRN ————	35
36	———— GRN/VIO ————	36
47	———— VIO/BRN ————	47
48	———— BRN/VIO ————	48

WIRING PATTERN



stewart
CONNECTOR
a bel group

11118 Susquehanna Trail South
Glen Rock, PA 17327-9199
(717) 235-7512
<http://www.stewartconnector.com>

MRJ21 IS A TRADEMARK OF TE CONNECTIVITY USED HERE BY PERMISSION	THIRD ANGLE PROJECTION 		TITLE CABLE ASSEMBLY, UNSHIELDED MRJ21 STRAIGHT PLUG TO MRJ21 STRAIGHT PLUG		
	This drawing and the subject matter shown thereon are confidential and the proprietary property of Stewart Connector and shall not be reproduced, copied, or used in any manner without prior written consent of Stewart Connector. The subject matter may be patented or a patent may be pending.	Do Not Scale Drawing		Dimensions Shown are subject to change without notice	DESIGNED BY TRM
PART NUMBER See Part Number Key		UNLESS OTHERWISE SPECIFIED DIMENSIONS ARE IN INCHES TOLERANCES ARE: ANGLES ± 1° 2 PLC. DEC. ± .010" 3 PLC. DEC. ± .003" 4 PLC. DEC. ± .0005"	DRAWN BY TRM	DATE 10-27-09	
DRAWING NUMBER CT210027			APPROVED BY DRI	DATE 11-18-09	
			SHEET 2 OF 2	SCALE None	REV. B0

ASSEMBLY FORMAT REV. 6/3/05

B

B

A

A