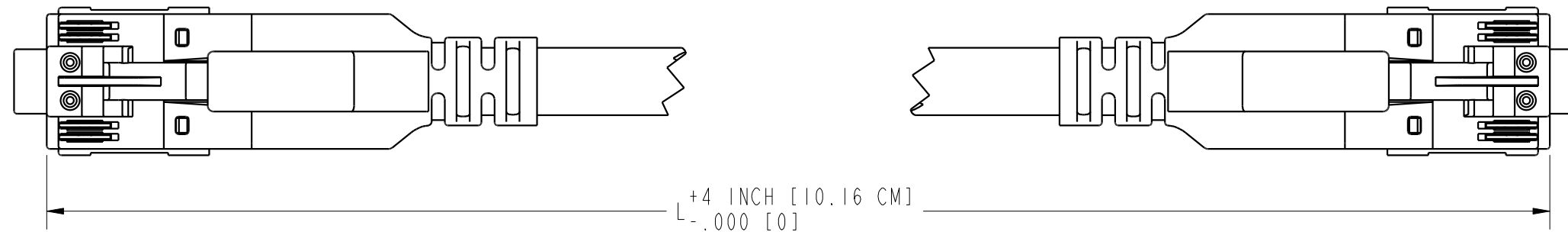


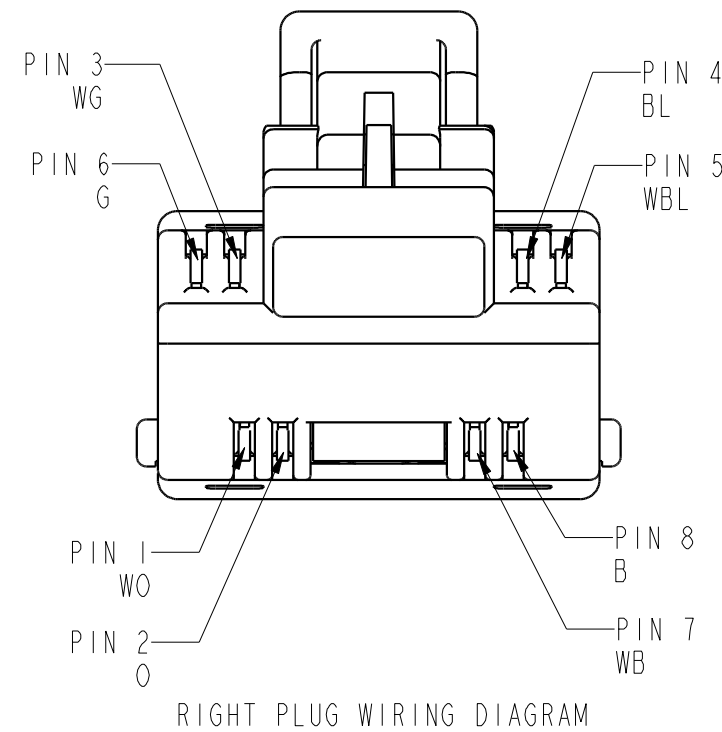
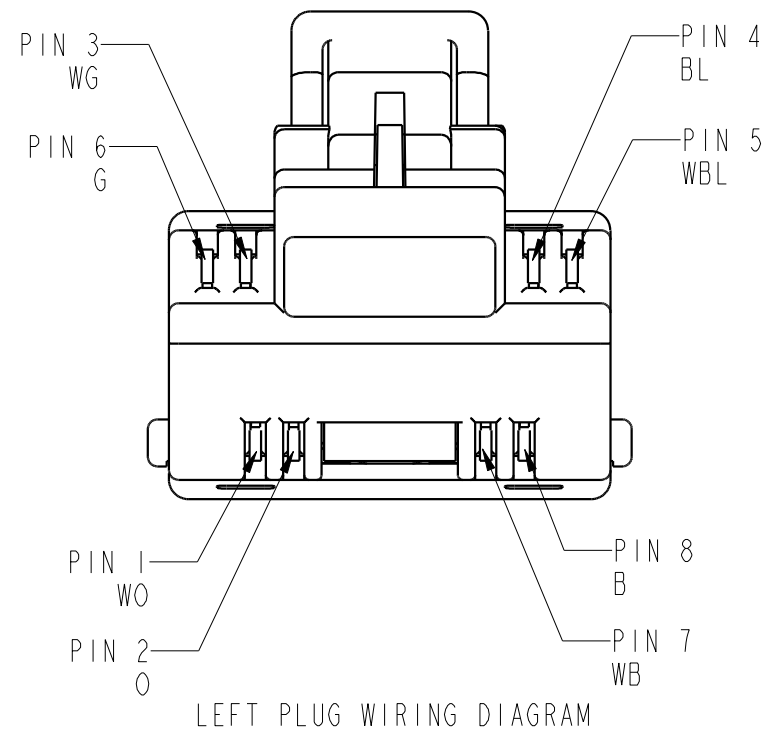
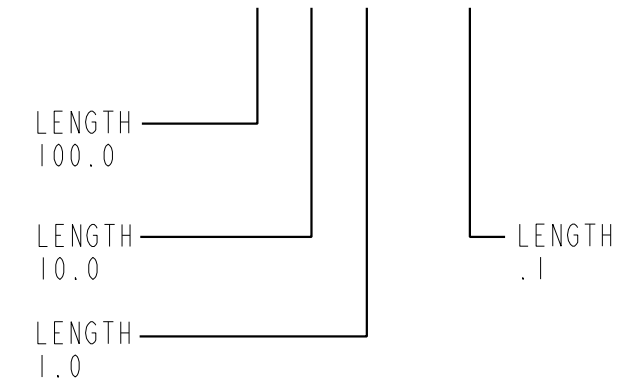
DATE	REV.	ECN	APP'D BY
2-23-15	A2	10264	TRM
2-24-16	A3	10563	TRM

LEFT PLUG: CAT 7a

RIGHT PLUG: CAT 7a



CA77-XXXXM-2



B=BROWN	BL=BLUE
WB=WHITE/BROWN	WBL=WHITE/BLUE
G=GREEN	O=ORANGE
WG=WHITE/GREEN	WO=WHITE ORANGE



10 METER	CA77-010M0-2
7 METER	CA77-007M0-2
5 METER	CA77-005M0-2
3 METER	CA77-003M0-2
2 METER	CA77-002M0-2
1 METER	CA77-001M0-2
STANDARD LENGTHS	PART NUMBER

THIRD ANGLE PROJECTION	
DO NOT SCALE DRAWING	
DRAWING IS SUBJECT TO CHANGE WITHOUT NOTICE	
DIMENSIONS: FEET (METER)	
UNLESS OTHERWISE SPECIFIED TOLERANCES ARE ±.005 [0.13] ANGLES ARE ±1°	
SHEET NO. 1 OF 1	

11118 Susquehanna Trail South
Glen Rock, PA 17327-9199
(717) 235-7512
<http://www.stewartconnector.com>

ARJ45 HS CAT 7a TO CAT 7a STANDARD LENGTH PATCH CORD ASSEMBLY, METER, GREY CABLE

DRN BY: SAW	DATE 12/20/06
APPD BY: DHG	DATE 12/20/06
DWG. NO. CTCA77-004	REV. A3

THIS DRAWING AND THE SUBJECT MATTER SHOWN THEREON ARE CONFIDENTIAL AND THE PROPRIETARY PROPERTY OF STEWART CONNECTOR AND SHALL NOT BE REPRODUCED, COPIED, OR USED IN ANY MANNER WITHOUT PRIOR WRITTEN CONSENT OF STEWART CONNECTOR. ONE OR MORE U.S. PATENTS MAY APPLY TO THIS PRODUCT. FOR DETAILS, PLEASE VISIT: [HTTP://BELFUSE.COM/STEWART/STEWART_PATENTS/](http://BELFUSE.COM/STEWART/STEWART_PATENTS/)