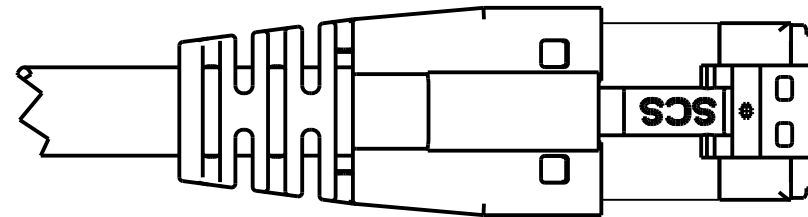
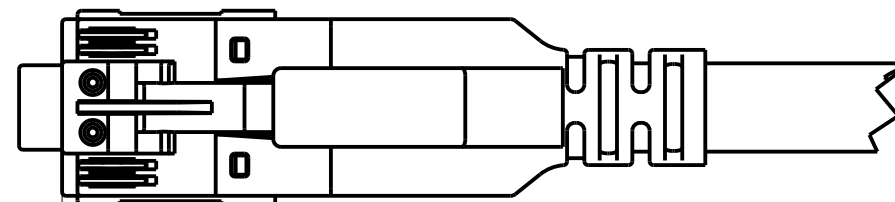


DATE	REV.	ECN	APP'D BY
1-28-13	A0	-	SAW

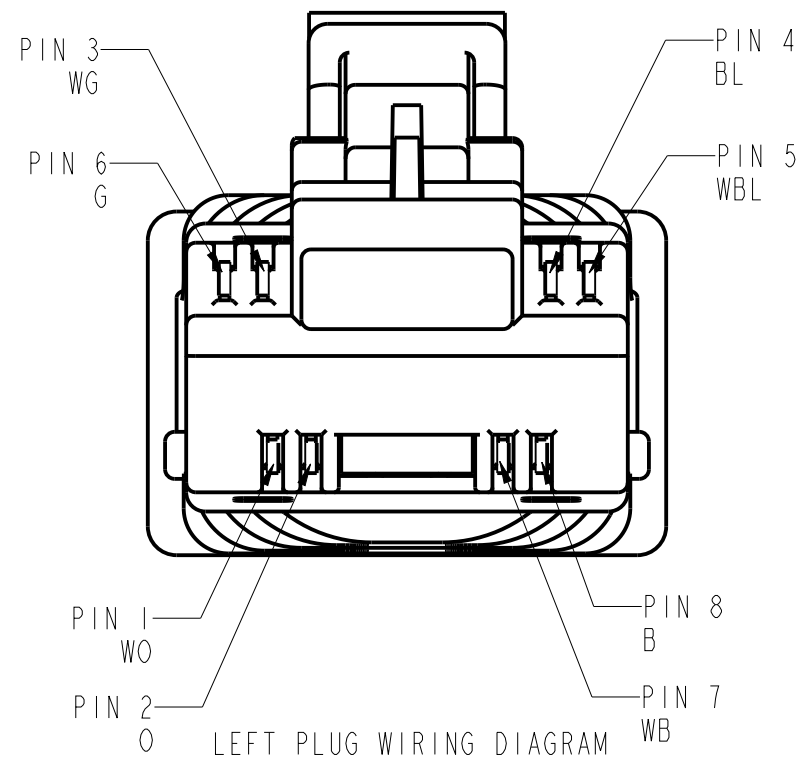
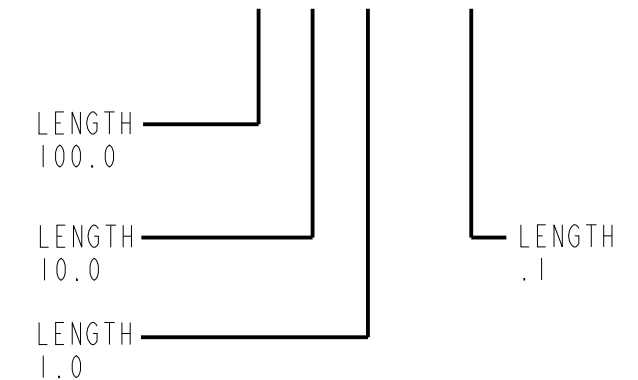
LEFT PLUG: CAT 7a

RIGHT PLUG: CAT 6A

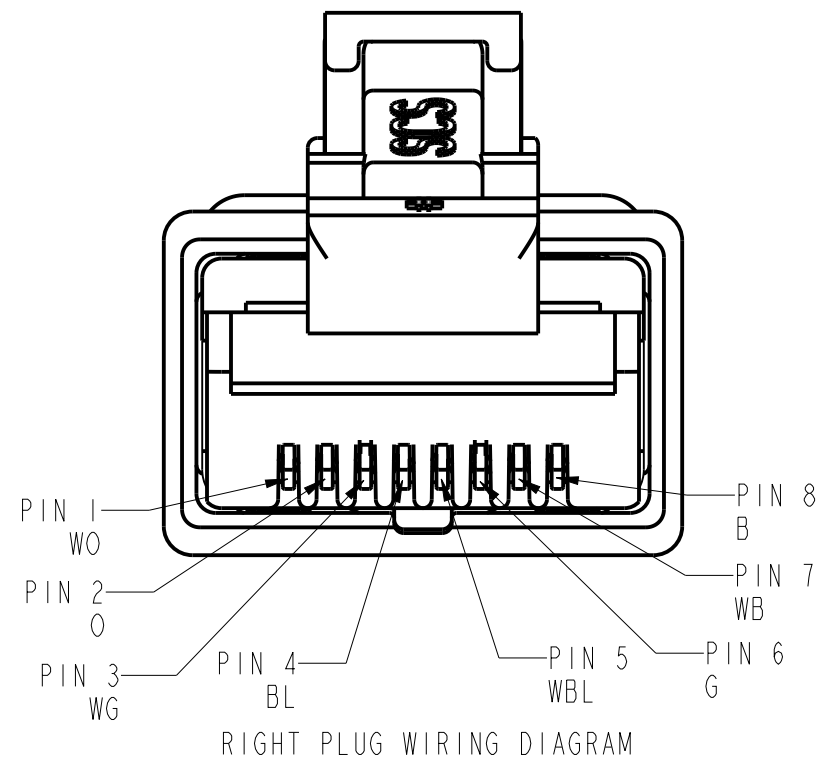


L +4 INCH [10.16 CM]  
- .000 [0]

# CA76-XXMX-2



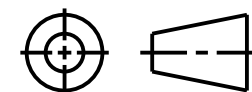
LEFT PLUG WIRING DIAGRAM



RIGHT PLUG WIRING DIAGRAM

10 METER	CA76-010M0-2
7 METER	CA76-007M0-2
5 METER	CA76-005M0-2
3 METER	CA76-003M0-2
2 METER	CA76-002M0-2
1 METER	CA76-001M0-2
LENGTH	PART NUMBER

THIRD ANGLE PROJECTION



DO NOT SCALE DRAWING  
DRAWING IS SUBJECT TO  
CHANGE WITHOUT NOTICE

DIMENSIONS: FEET [METER]

UNLESS OTHERWISE SPECIFIED  
TOLERANCES ARE ±.005 [0.13]  
ANGLES ARE ±1°

SHEET NO.  
1 OF 1

## Bel Stewart Connector

11118 Susquehanna Trail South  
Glen Rock, PA 17327-9199  
(717) 235-7512 Fax: (717) 235-7954 <http://www.stewartconnector.com>

TITLE: ARJ45 HS CAT 7a TO CAT 6A STANDARD LENGTH  
PATCH CORD ASSEMBLY, METER, GREY CABLE

THIS DRAWING AND THE SUBJECT MATTER SHOWN THEREON  
ARE CONFIDENTIAL AND THE PROPRIETARY PROPERTY OF  
BEL STEWART CONNECTOR AND SHALL NOT BE REPRODUCED,  
COPIED, OR USED IN ANY MANNER WITHOUT PRIOR WRITTEN  
CONSENT OF BEL STEWART CONNECTOR. THE SUBJECT  
MATTER MAY BE PATENTED OR A PATENT MAY BE PENDING.

DRN BY:	SAW	DATE	1-28-13
APPD BY:	DHG	DATE	1-28-13
DWG. NO.	CTCA76-004	REV.	A0

B=BROWN	BL=BLUE
WB=WHITE/BROWN	WBL=WHITE/BLUE
G=GREEN	O=ORANGE
WG=WHITE/GREEN	WO=WHITE ORANGE