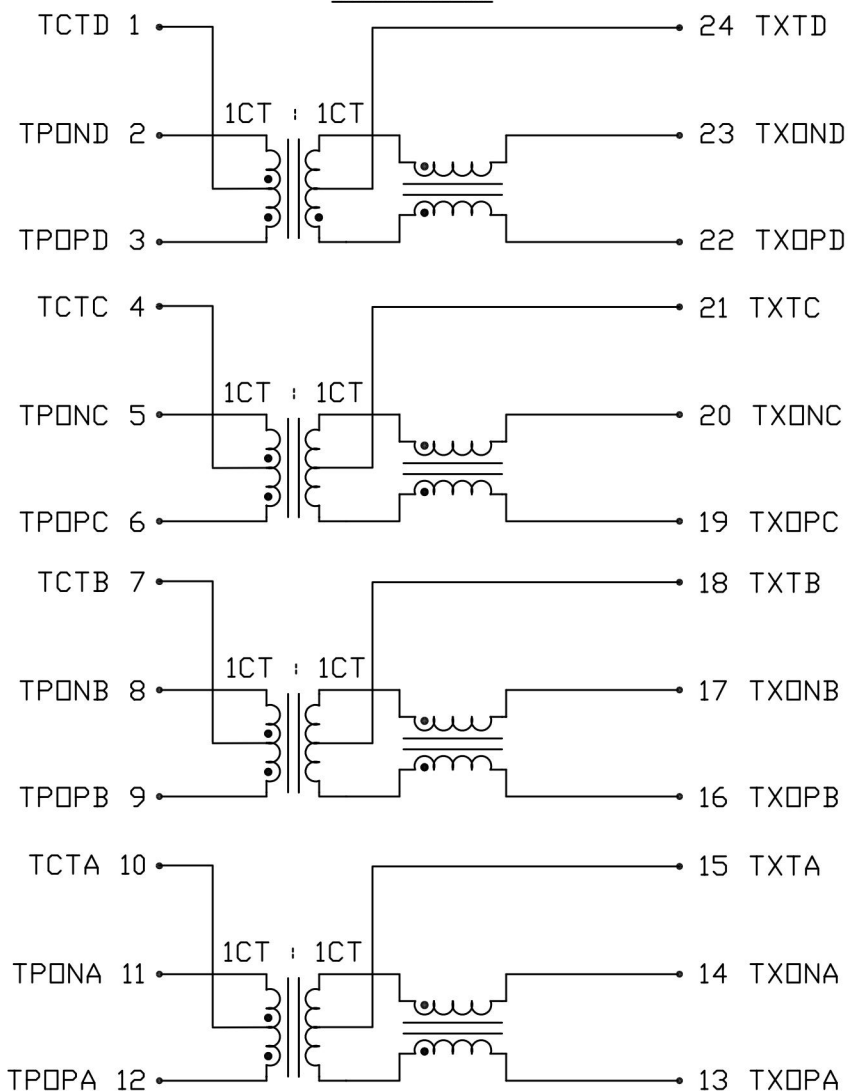


THE INFORMATION CONTAINED HEREIN IS CONSIDERED 'PROPRIETARY' TO BEL FUSE INC. AND SHALL NOT BE COPIED, REPRODUCED OR DISCLOSED WITHOUT THE WRITTEN APPROVAL OF BEL FUSE INC.



SCHEMATIC



ELECTRICAL CHARACTERISTICS @ 25°C

URNS RATIO

(3-1-2) : (22-24-23)	1CT : 1CT
(6-4-5) : (19-21-20)	1CT : 1CT
(9-7-8) : (16-18-17)	1CT : 1CT
(12-10-11) : (13-15-14)	1CT : 1CT

∅CL
-40°C TO +85°C

350μH MIN. AT 100kHz, 100mV
WITH 8mA DC BIAS

INSERTION LOSS

1.1dB MAX. @ 0.1 TO 1MHz
0.5dB MAX. @ 1 TO 65MHz
1.0dB MAX. @ 80MHz
1.2dB MAX. @ 125MHz

RETURN LOSS
UNDER 100 OHM
±15% ENVIRONMENT

18dB MIN. @ 0.5 TO 40 MHz
12-20LOG (f/80MHz) dB MIN.
@ 40 TO 100MHz

COMMON TO COMMON REJECTION

30dB MIN. @ 0.1 TO 100MHz

CROSSTALK

33-20LOG (f/100MHz) dB MIN.
@ 1 TO 100MHz

HIPOT

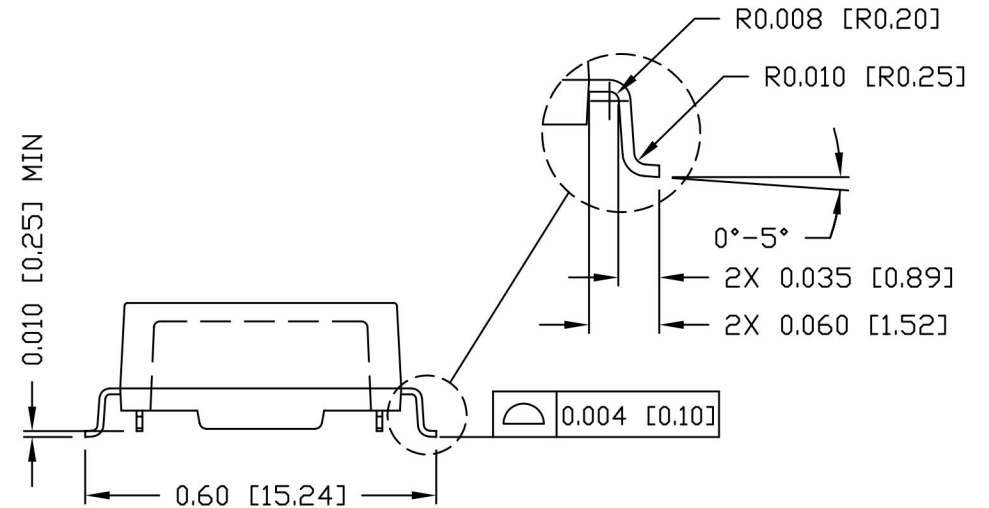
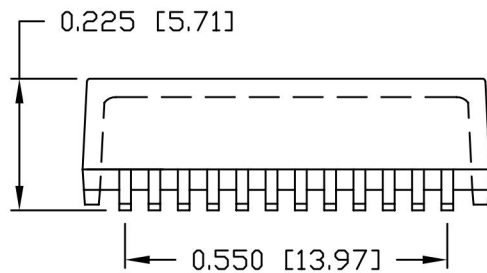
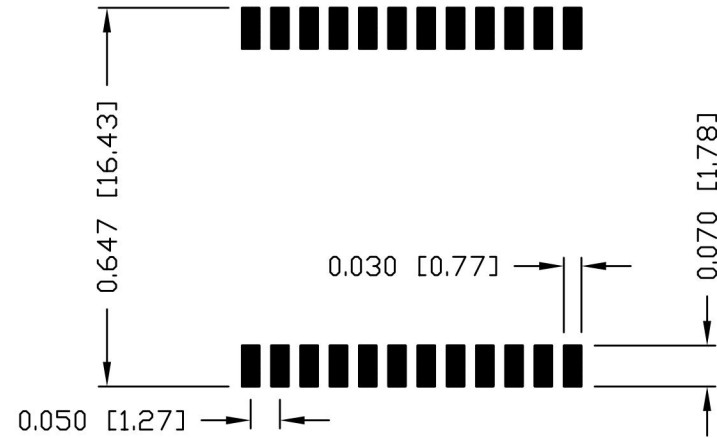
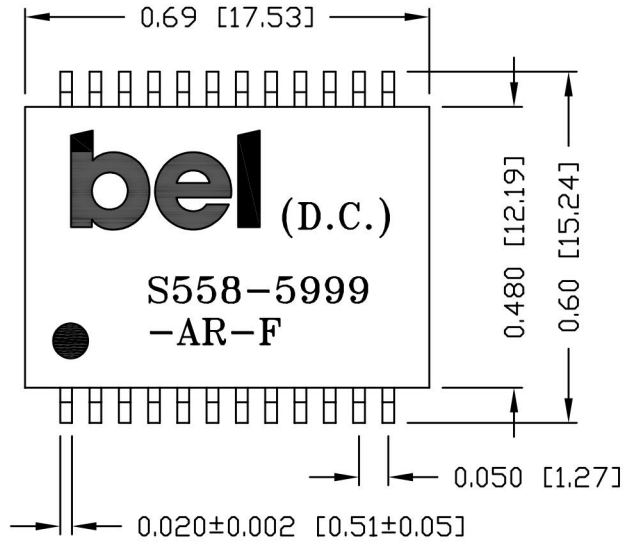
PER HAND-WORK-03

ORIGINATED BY		DATE	TITLE	PART NO. / DRAWING NO.		STANDARD DIM. [] METRIC DIM. AS REF.		REV. : B	PAGE : 2
Alice Pang		2015-10-29		X5585999AR-F		TOL. IN INCH		UNIT : INCH [mm]	 POWER PROTECT CONNECT
DRAWN BY		DATE		FILE NAME		.X		SCALE : N/A	
ZC Guo		2015-10-29	X5585999ARFB.DWG		.XX		SIZE : A4		
			ELECTRICAL SPECIFICATION						
			S558-5999-AR-F						

THE INFORMATION CONTAINED HEREIN IS CONSIDERED "PROPRIETARY" TO BEL FUSE INC. AND SHALL NOT BE COPIED, REPRODUCED OR DISCLOSED WITHOUT THE WRITTEN APPROVAL OF BEL FUSE INC.

SUGGESTED PCB PAD LAYOUT

RoHS



NOTES:

- STANDARD MARKING REFER TO DOC. HAND-WORK-04.
- PACKAGE CODE: "RQS001".

REV. : B	PAGE : 3
 POWER PROTECT CONNECT	

ORIGINATED BY Lawrence Tsang	DATE 2015-10-29	TITLE MECHANICAL DRAWING S558-5999-AR-F	PART NO. / DRAWING NO. X5585999AR-F	STANDARD DIM. TOL. IN INCH	[] METRIC DIM. AS REF.
DRAWN BY ZC Guo	DATE 2015-10-29		FILE NAME X5585999ARFB.DWG	.X .XX ±0.01 .XXX ±0.005	UNIT : INCH [mm] SCALE : N/A SIZE : A4