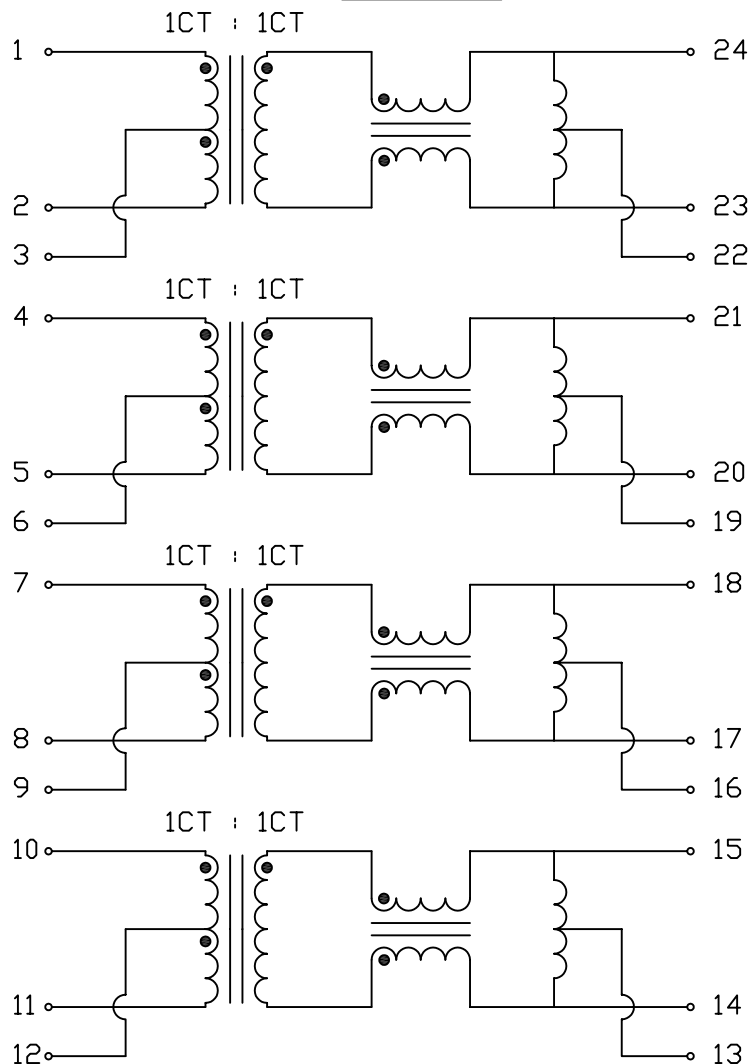


THE INFORMATION CONTAINED HEREIN IS CONSIDERED 'PROPRIETARY' TO BEL FUSE INC. AND SHALL NOT BE COPIED, REPRODUCED OR DISCLOSED WITHOUT THE WRITTEN APPROVAL OF BEL FUSE INC.



SCHEMATIC

ELECTRICAL SPECEIFICATIONS @25°C



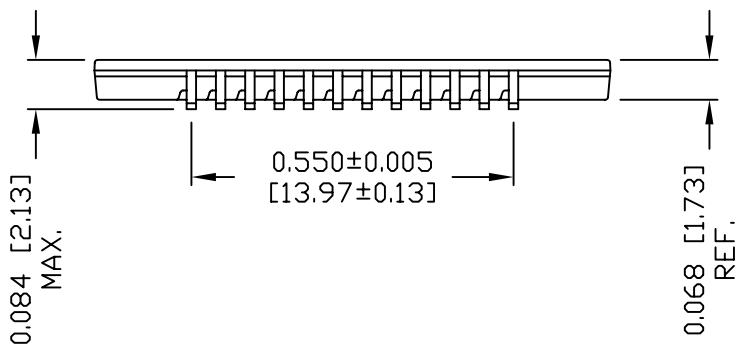
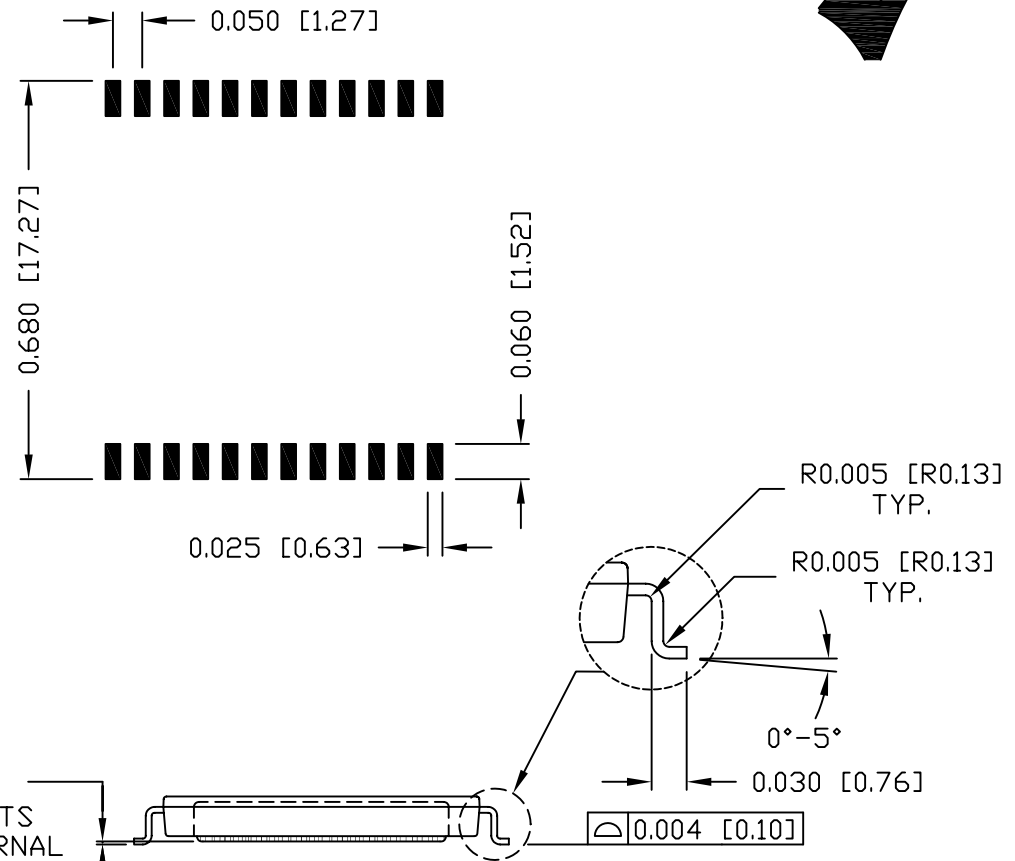
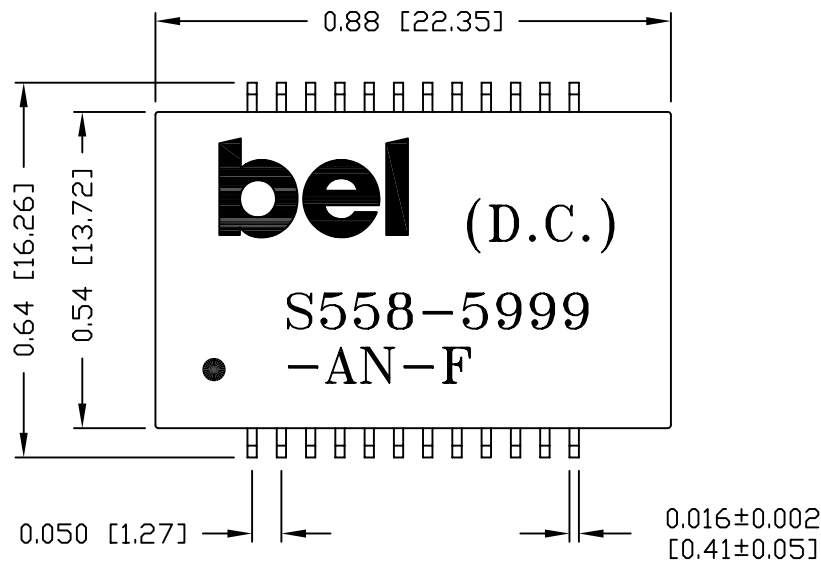
URNS RATIO	1CT : 1CT
PHASE	1 TO 24, 4 TO 21, 7 TO 18, 10 TO 15 IN PHASE
□CL :	350uH MIN. AT 100kHz, 100mV (1-2), (4-5), (7-8), (10-11) WITH 8mA DC BIAS, FROM 0 -70°C
INSERTION LOSS	1.0 dB MAX. @ 1 TO 100MHZ 1.5 dB MAX. @ 125MHZ
RETURN LOSS	18dB MIN. @ 1-30MHZ MEASURED UNDER A 100 Ω I/O 15dB MIN. @ 60MHZ 12dB MIN. @ 80MHZ 10dB MIN. @ 100MHZ
CROSSTALK	10-100 MHz 35 dB MIN.
COMMON TO COMMON REJECTION	30 dB MIN. AT 100kHz TO 155MHZ
HIPOT	PER HAND-WORK-03

REV. : B	PAGE : 2

ORIGINATED BY	DATE	TITLE ELECTRICAL SPECIFICATION S558-5999-AN-F	PART NO. / DRAWING NO.		STANDARD DIM. [] METRIC DIM. AS REF.	
Alice Pang	2015-04-07		X5585999AN-F		TOL. IN INCH	
DRAWN BY	DATE		FILE NAME	.X	UNIT : INCH [mm]	
ZC Guo	2015-04-07	X5585999ANFB.DWG	.XX	SCALE : N/A		
				.XXX	SIZE : A4	

THE INFORMATION CONTAINED HEREIN IS CONSIDERED "PROPRIETARY" TO BEL FUSE INC. AND SHALL NOT BE COPIED, REPRODUCED OR DISCLOSED WITHOUT THE WRITTEN APPROVAL OF BEL FUSE INC.

SUGGESTED PCB PAD LAYOUT



BETWEEN COMPONENTS AND INTERNAL LEADS TO SEATING PLANE WITH 0.002" MIN CLEARANCE

NOTES:

- STANDARD MARKING REFER TO DOC. HAND-WORK-04.
- PACKAGE CODE: "RJS001".

REV. : B	PAGE : 3	
 POWER PROTECT CONNECT		
		STANDARD DIM. [] METRIC DIM. AS REF.
		TOL. IN INCH
.X	UNIT : INCH [mm]	
.XX ±0.01	SCALE : N/A	
.XXX ±0.005	SIZE : A4	

ORIGINATED BY	DATE	TITLE	PART NO. / DRAWING NO.	STANDARD DIM. [] METRIC DIM. AS REF.		
Lawrence Tsang	2015-04-07	MECHANICAL DRAWING S558-5999-AN-F	X5585999AN-F	TOL. IN INCH		
DRAWN BY	DATE		FILE NAME	.X	UNIT : INCH [mm]	
ZC Guo	2015-04-07		X5585999ANFB.DWG	.XX ±0.01	SCALE : N/A	
				.XXX ±0.005	SIZE : A4	