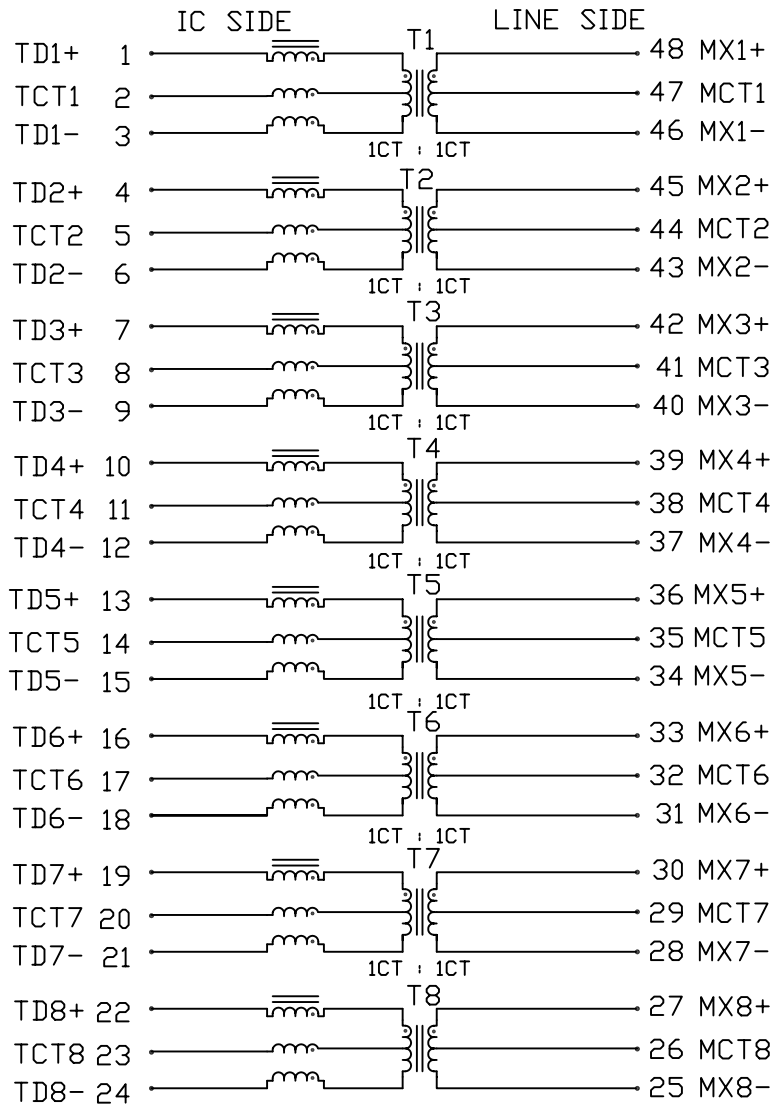


THE INFORMATION CONTAINED HEREIN IS CONSIDERED "PROPRIETARY" TO BEL FUSE INC. AND SHALL NOT BE COPIED, REPRODUCED OR DISCLOSED WITHOUT THE WRITTEN APPROVAL OF BEL FUSE INC.



SCHEMATIC

ELECTRICAL SPECIFICATIONS @25°C



<p>URNS RATIO IC : LINE</p> <p>POLARITY</p> <p>QCL @100kHz, 100mVrms 8mA DC BIAS</p> <p>INSERTION LOSS 0.3MHz TO 100MHz 100MHz TO 125MHz</p> <p>RETURN LOSS 0.5MHz-40MHz 40MHz-100MHz</p> <p>DC RESISTANCE DCR (START-FINISH) DCR 1/2 WDG DCR IMBALANCE</p> <p>CROSSTALK 300kHz - 100MHz</p> <p>CM TO CM REJ 300kHz - 100MHz</p> <p>CM TO DM REJ 300kHz - 100MHz</p> <p>HIPOT</p> <p>OPERATING TEMPERATURE</p>	<p>1CT : 1CT</p> <p>PER DOT CONVENTION</p> <p>350µH MIN.</p> <p>0.8dB MAX 1.2dB MAX</p> <p>18dB MIN 12-20 LOG (F/80MHz) dB MIN</p> <p>1.150HMS TYP 1.00HMS MAX ±0.0650HMS MAX</p> <p>33dB MIN</p> <p>30dB MIN</p> <p>35dB MIN</p> <p>1500Vrms</p> <p>0°C TO +70°C</p>
--	---

REV. : B PAGE : 2

ORIGINATED BY	DATE	TITLE
Alice Pang	2015-01-26	ELECTRICAL SPECIFICATION
DRAWN BY	DATE	
ZC Guo	2015-01-26	

PART NO. / DRAWING NO.	STANDARD DIM.
S558-5500-56	[] METRIC DIM. AS REF.
FILE NAME	TOL. IN INCH
S558550056B.DWG	.X
	.XX
	.XXX

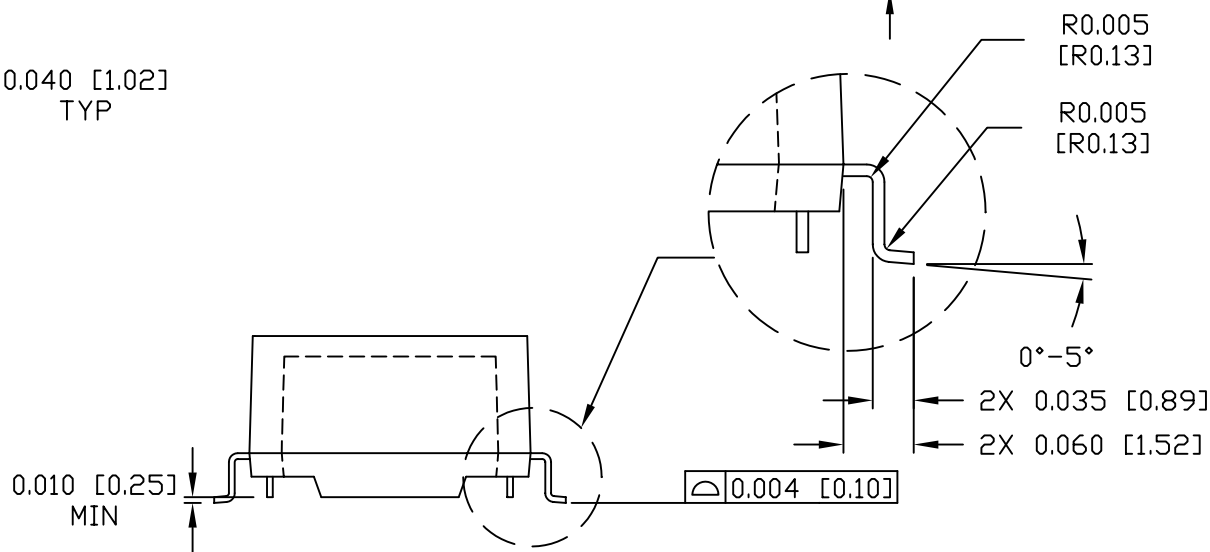
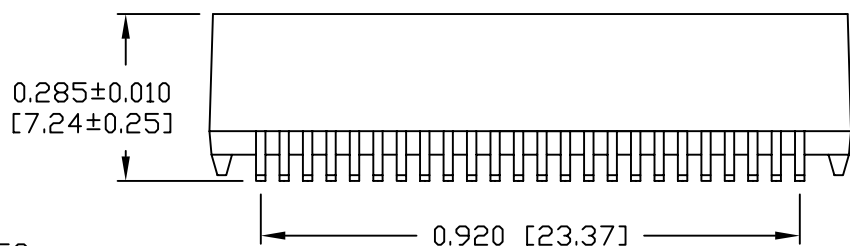
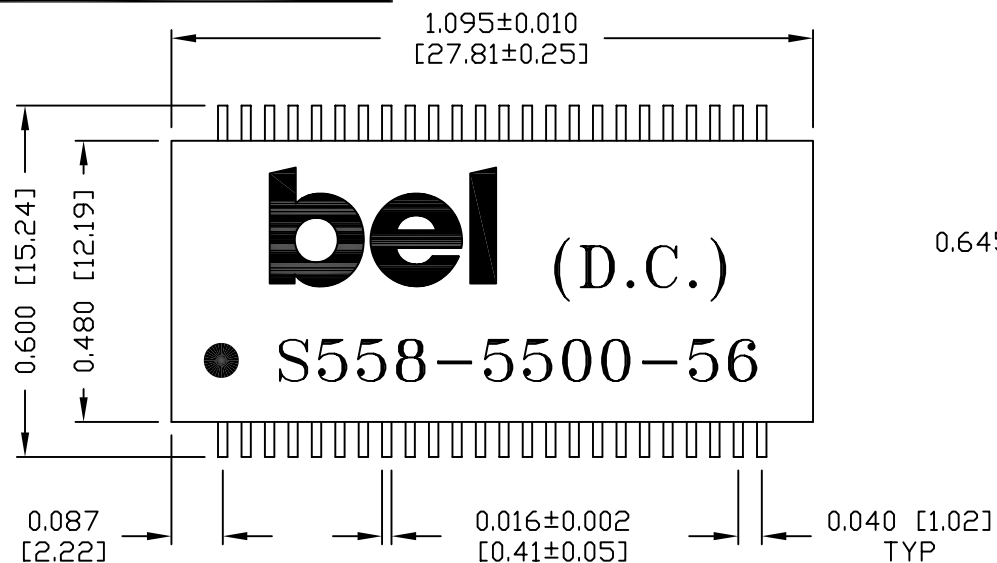
UNIT : INCH [mm]
SCALE : N/A
SIZE : A4



THE INFORMATION CONTAINED HEREIN IS CONSIDERED "PROPRIETARY" TO BEL FUSE INC. AND SHALL NOT BE COPIED, REPRODUCED OR DISCLOSED WITHOUT THE WRITTEN APPROVAL OF BEL FUSE INC.

SUGGESTED PCB PAD LAYOUT

RoHS



NOTES:

- STANDARD MARKING REFER TO DOC. HAND-WORK-04.
- PACKAGE CODE: "QVS001".

REV. : B PAGE : 3

ORIGINATED BY	DATE	TITLE	PART NO. / DRAWING NO.	STANDARD DIM.	[] METRIC DIM. AS REF.
Lawrence Tsang	2015-01-26	MECHANICAL OUTLINE	S558-5500-56	TOL. IN INCH	UNIT : INCH [mm]
DRAWN BY	DATE		FILE NAME	.X	SCALE : N/A
ZC Guo	2015-01-26		S558550056B.DWG	.XX ±0.01	SIZE : A4
				.XXX ±0.005	

