

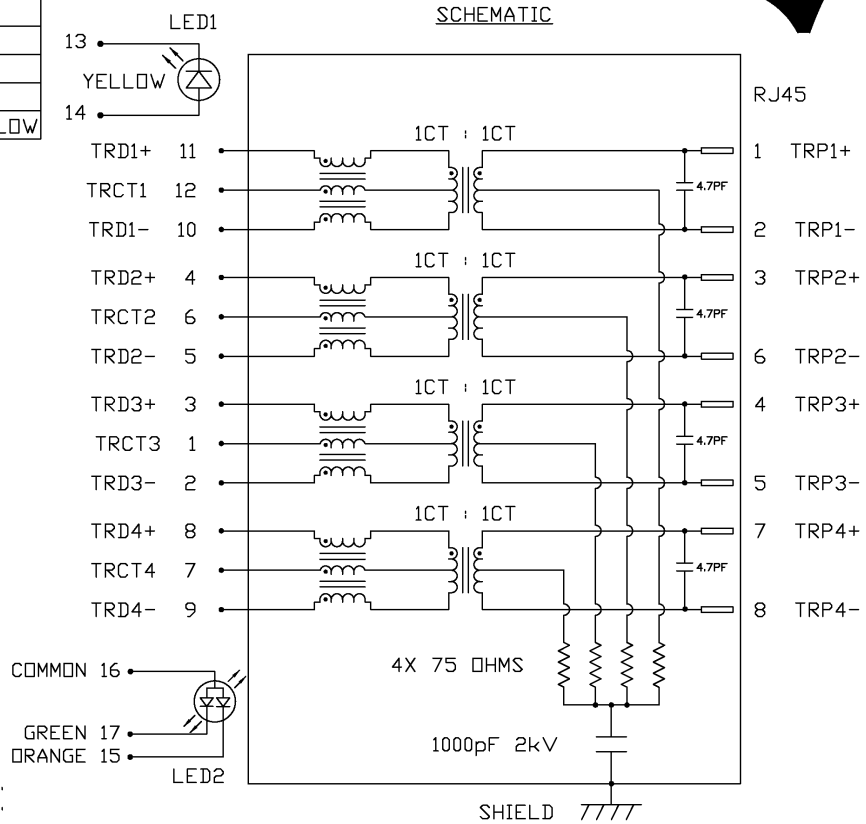


THE INFORMATION CONTAINED HEREIN IS CONSIDERED "PROPRIETARY" TO BEL FUSE INC. AND SHALL NOT BE COPIED, REPRODUCED OR DISCLOSED WITHOUT THE WRITTEN APPROVAL OF BEL FUSE INC.

LED1 POLARITY			LED2 POLARITY			
PIN 13	PIN 14	COLOR	PIN 15	PIN 16	PIN 17	COLOR
-	+	YELLOW	-	+	/	ORANGE
/	/	/	/	+	-	GREEN
/	/	/	-	+	-	MIXED YELLOW

**ELECTRICAL CHARACTERISTICS @ 25°C**

TURNS RATIO  
 TP1 1CT : 1CT ±2%  
 TP2 1CT : 1CT ±2%  
 TP3 1CT : 1CT ±2%  
 TP4 1CT : 1CT ±2%  
 OCL @ 100kHz/100mVRMS (0-70 Deg. C) 350µH MIN.  
 8mA DC BIAS  
 INS. LOSS  
 0.1MHz TO 1MHz -1.1 dB MAX  
 1MHz TO 65MHz -0.5 dB MAX  
 65MHz TO 100MHz -0.8 dB MAX  
 100MHz TO 125MHz -1.2 dB MAX  
 RET. LOSS (MIN) @100 OHMS ±15%  
 0.5MHz-40MHz -18 dB  
 40MHz-100MHz -12+20LOG(f/80MHz) dB  
 CM TO CM REJ  
 100kHz - 100MHz -30 dB MIN  
 CM TO DM REJ  
 100kHz - 100MHz -35 dB MIN  
 HIPOT (Isolation Voltage): 1500 Vrms or 2250 VDC  
 100% OF PRODUCT TESTED IN PRODUCTION  
 LED 1 (HI-TEMP)  
 VF (FORWARD VOLTAGE) IF=20mA YELLOW 2.1V TYP.  
 λD (DOMINANT WAVELENGTH) IF=20mA YELLOW 590nm TYP.  
 LED 2 (HI-TEMP)  
 VF (FORWARD VOLTAGE) IF=20mA YELLOW GREEN 2.2V TYP.  
 AMBER 2.1V TYP.  
 λD (DOMINANT WAVELENGTH) IF=20mA YELLOW GREEN 570nm TYP.  
 AMBER 607nm TYP.  
 MIXED YELLOW DOES NOT HAVE SPECIFIC WAVELENGTH.



ORIGINATED BY	DATE	TITLE	PART NO. / DRAWING NO.	STANDARD DIM. TOL. IN INCH	[ ] METRIC DIM. AS REFERENCE
CHUNG	12-19-05	gigabit MagJack® (Ultra Low Profile)	L830-1J1C-43	.X	UNIT : INCH [mm] REV. : C
DRAWN BY	DATE		FILE NAME	.XX	SCALE : N/A SIZE : A4
DE	12-19-05		L8301J1C43C.DWG	.XXX	PAGE : 2



THE INFORMATION CONTAINED HEREIN IS CONSIDERED "PROPRIETARY" TO BEL FUSE INC. AND SHALL NOT BE COPIED, REPRODUCED OR DISCLOSED WITHOUT THE WRITTEN APPROVAL OF BEL FUSE INC.

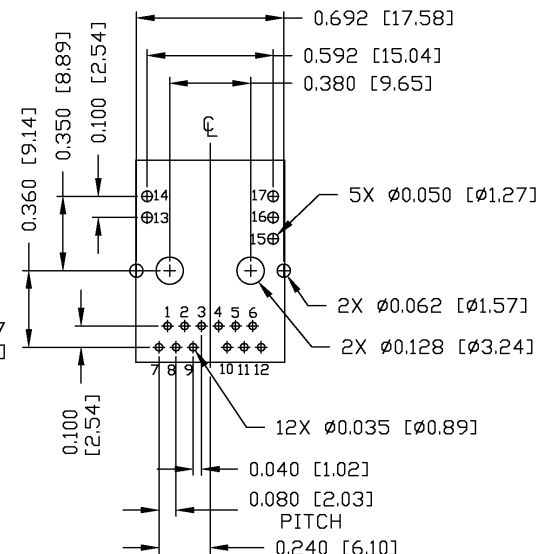
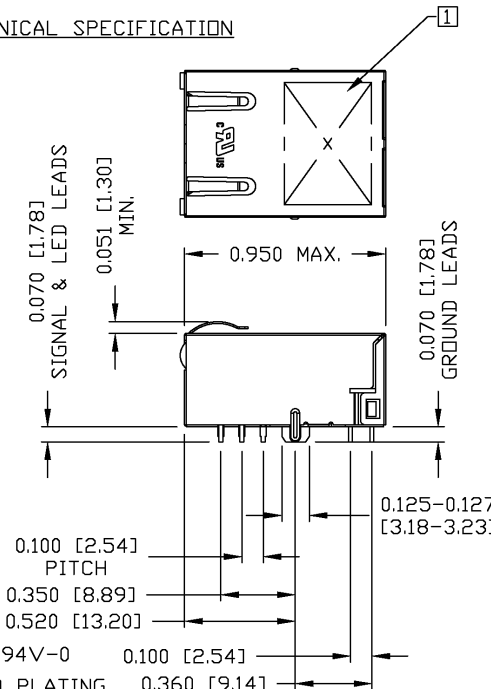
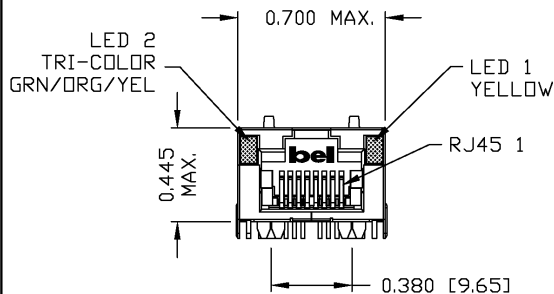
MECHANICAL SPECIFICATION

RoHS  
2002/95/EC



RECOMMENDED PCB FOOTPRINT

COMPONENT SIDE VIEW



NOTES:

- PLASTIC HOUSING: THERMOPLASTIC PA 4/6. FLAMMABILITY RATING UL 94V-0
- CONTACTS: 30 MICRO-INCH HARD GOLD PLATING
- OUTPUT PINS: TIN-COATED COPPER WIRE, DIA 0.018 INCH.
- METAL SHIELD: NICKEL PLATED ON COPPER ALLOY. (ALL GROUND LEADS ARE SOLDER DIPPED)

RoHS COMPLIANT, PER EU DIRECTIVE 2002/95/EC.

[1] MARK PART WITH MFG. LOGO, MFG. NAME, PART NUMBER (L830-1J1C-43), AND DATE CODE.

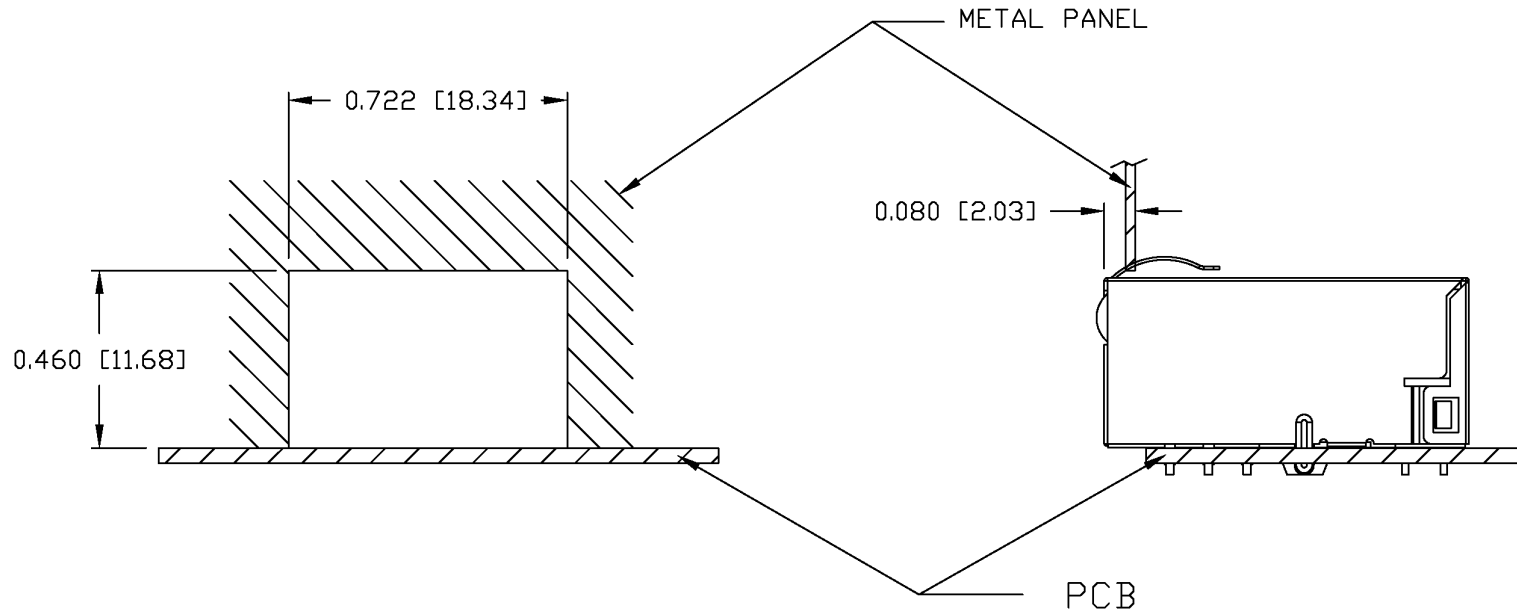
**UL** US UL RECOGNIZED - FILE #E196366 AND E169987.

ORIGINATED BY	DATE	TITLE	PART NO. / DRAWING NO.	STANDARD DIM. TOL. IN INCH	[ ] METRIC DIM. AS REFERENCE
BANG	12-19-05	gigabit MagJack® (Ultra Low Profile)	L830-1J1C-43	.X	UNIT : INCH [mm] REV. : C
DRAWN BY	DATE		FILE NAME	.XX	SCALE : N/A SIZE : A4
LING	12-19-05		L8301J1C43C.DWG	.XXX ±0.010	PAGE : 3



THE INFORMATION CONTAINED HEREIN IS CONSIDERED "PROPRIETARY" TO BEL FUSE INC. AND SHALL NOT BE COPIED, REPRODUCED OR DISCLOSED WITHOUT THE WRITTEN APPROVAL OF BEL FUSE INC.

SUGGESTED PANEL OPENING



NOTE:

THE DISTANCE OF PANEL INSIDE SURFACE RELATIVE TO FRONT SURFACE OF PART IS ONLY A SUGGESTION. IN CASE THIS DISTANCE IS DIFFERENT, THE REQUIRED PANEL OPENING DIMENSIONS CHANGE ACCORDINGLY.

TRAY PACKING INFORMATION

PACKING TRAY : 0200-9999-E4 (TOP)

0200-9999-E5 (BOTTOM)

PACKING QUANTITY : 60 PCS FINISHED GOODS PER TRAY

11 TRAYS (660 PCS FINISHED GOODS) PER CARTON BOX

NOTE : CARDBOARDS ARE PLACED BETWEEN LAYERS OF PACKING TRAY INSIDE CARTON BOX

(INCLUDE THE UPPERMOST AND LOWERMOST TRAY)

ORIGINATED BY	DATE	TITLE	PART NO. / DRAWING NO.	STANDARD DIM. TOL. IN INCH	[ ] METRIC DIM. AS REFERENCE
BANG	12-19-05	gigabit MagJack® (Ultra Low Profile)	L830-1J1C-43	.X	UNIT : INCH [mm] REV. : C
DRAWN BY	DATE		FILE NAME	.XX	SCALE : N/A SIZE : A4
LING	12-19-05		L8301J1C43C.DWG	.XXX	±0.005

