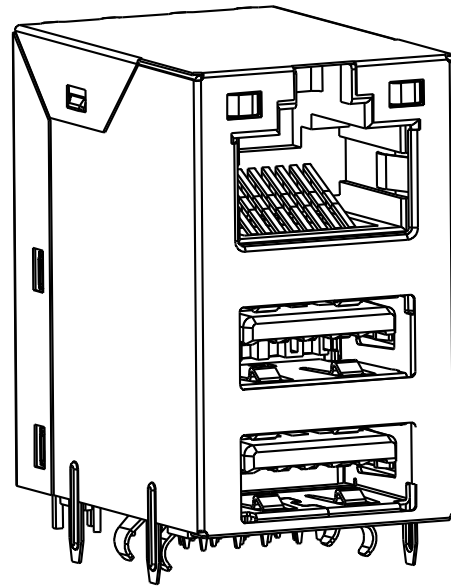


THIS DRAWING AND THE SUBJECT MATTER SHOWN THEREON ARE CONFIDENTIAL AND THE PROPERTY OF BEL/STEWART/TRP CONNECTOR AND SHALL NOT BE REPRODUCED, COPIED, OR USED IN ANY MANNER WITHOUT THE WRITTEN CONSENT OF TRP CONNECTOR.

PRODUCT MAY BE PROTECTED BY ONE OR MORE OF THE FOLLOWING US PATENTS:  
 5736910 5939955 6425781 6428361 6554638 6840817 7123117  
 7429195 7717749 7808751 6217391 6149050 7924130

REVISIONS				
P	LTR	DESCRIPTION	DATE	APVD
8		EC-1411035, LOGO CHANGE;ADD USB COLOR SPEC	090C12014	JC TY



- MATERIALS
  - USB MATERIALS:
    - HOUSING: THERMOPLASTIC, BLUE, FLAMMABILITY RATING UL 94V-0
    - USB 2.0 CONTACT: PHOSPHOR BRONZE, WITH 1.27um MIN OVERALL NICKEL UNDERPLATE AND SELECTIVE 0.762um MIN GOLD PLATING AT MATING INTERFACE
    - USB 3.0 CONTACT: COPPER BASE ALLOY, WITH 1.27um MIN OVERALL NICKEL UNDERPLATE AND SELECTIVE 0.762um MIN GOLD PLATING AT MATING INTERFACE
  - RJ45 MATERIALS:
    - HOUSING: THERMOPLASTIC, BLACK, FLAMMABILITY RATING UL 94V-0
    - SHIELD: STAINLESS STEEL, PREPLATED WITH MIN 0.76um SEMI-BRIGHT NICKEL, POST DIPPED WITH 2.54um MIN SOLDER ON SOLDER TAILS
    - CONTACT: PHOSPHOR BRONZE, WITH 1.27um MIN OVERALL NICKEL UNDERPLATE AND SELECTIVE 1.27um MIN GOLD PLATING AT MATING INTERFACE
  - LED MATERIALS:
    - DIFFUSED EPOXY LENS, CARBON STEEL LEAD FRAME LEADS, PREPLATED WITH 2.03um MIN SILVER OVER 1.02 MIN NICKEL OVER 1.02um MIN COPPER UNDERPLATE, POST PLATED WITH 2.54um MIN MATTE TIN AND/OR 2.54um MIN SAC SOLDER DIP OR PURE TIN SOLDER DIP.

- MAGNETICS
  - APPLICATION : 10/100/1000 BASE-T
  - IMPEDANCE: 100 OHMS
  - TURNS RATIO(CHIP:CABLE): 1:1 ALL FOUR PAIRS
  - OPEN CIRCUIT INDUCTANCE(OCL): 350uH MIN @100kHz, 0.1 VRMS, 8mADC BIAS FROM 0°C TO 70°C, ALL FOUR PAIRS
  - ALL FOUR PAIRS BI-DIRECTIONAL
  - PERFORMANCE @ 25°C:
    - INSERTION LOSS (IL): 1.1 dB MAX FROM 0.5MHz TO 100MHz
    - RETURN LOSS (RL): 18dB MIN FROM 0.5MHz TO 40MHz
    - 12-20LOG(f/80)dB MIN FROM 40.1 MHz TO 100MHz
    - CROSSTALK ATTENUATION: 35 dB MIN FROM 0.5 MHz TO 40 MHz
    - 33-20LOG(f/50) dB MIN FROM 40.1 MHz TO 100 MHz
    - COMMON MODE REJECTION RATIO (CMRR): 30dB MIN FROM 0.5MHz TO 100MHz
    - ISOLATION VOLTAGE: 2250VDC (MAX) FOR 60 SECONDS WITH A RISE TIME OF 500V/SEC.

3 THE MAGNETIC CIRCUIT ON ALL FOUR CHANNELS IS SYMMETRICAL AND SUPPORTS AUTO-MDIX OPERATION.

4. OPERATING TEMPERATURE: 0°C - 70°C.

5 DATUM Y AND BASIC DIMENSION ESTABLISHED BY CUSTOMER.

6. RJ45 CAVITY CONFORMS TO FCC RULES AND REGULATION PART 68 SUBPART F.

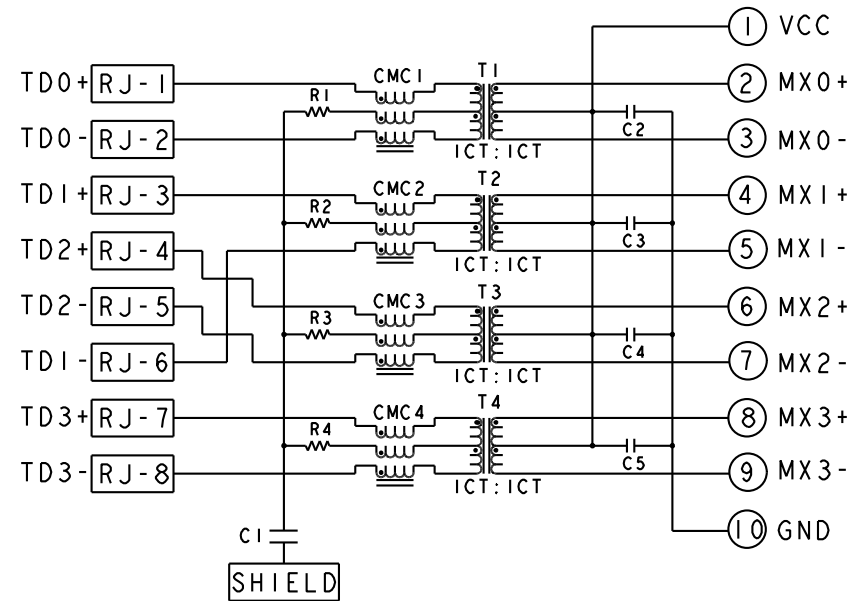
7 TRP CONNECTOR LOGO, PART NUMBER, DATE CODE, COUNTRY OF ORIGIN, AGENCY APPROVAL MARKING IN APPROPRIATE LOCATION SHOWN. DATE CODE: YYWW WHERE "YY" IS YEAR, "WW" IS WORK WEEK, "D" IS DAY OF WEEK, WITH SUNDAY= 1

8 LED IS DRIVEN WITH CONSTANT CURRENT AT APPROX 20mA  
 LED COLOR: DOMINANT WAVELENGTH (λD)  
 GREEN 568 nm TYP at IF=20mA; YELLOW, 588nm TYP AT IF=20mA  
 FORWARD VOLTAGE (VF):  
 GREEN 2.2V TYP at IF=20mA; YELLOW, 2.1V TYP AT IF=20mA

9. THE PARTS ARE RECOMMENDED FOR WAVE SOLDERING PROCESS, PEAK TEMPERATURE 260°C MAX, 10 SECONDS MAX.

10. LOW HALOGEN SPEC(EXCEPT LIGHT PIPE):  
 CHLORINE (Cl) 900PPM MAX  
 BROMINE (Br) 900PPM MAX  
 TOTAL BROMINE AND CHLORINE (Br+Cl) 1500PPM MAX  
 LIGHT PIPE COMPLY WITH LOW HALOGEN SPECIFICATION "DIN VDE 0472"  
 CHLORINE (Cl) 1000PPM MAX  
 BROMINE (Br) 1000PPM MAX  
 TOTAL BROMINE AND CHLORINE (Br+Cl) 2000PPM MAX

URG153 GIGABIT CIRCUIT



C1: 1000pF, 2kV, CAPACITOR;  
 C2-C5: 100nF, 50V, CAPACITORS;  
 R1-R4: 75ohms, 1/16W, RESISTORS

2.30	WITHOUT	GREEN	GREEN/YELLOW	2250125-3
3.25	WITH	GREEN	GREEN	1-2250125-2
3.25	WITHOUT	GREEN	GREEN	2250125-2
2.30	WITHOUT	GREEN	GREEN	2250125-1
DIM A	TOP&SIDE EMI FINGERS	LED2	LED1	PART NUMBER

THIS DRAWING IS A CONTROLLED DOCUMENT.		DWN JAMISON CHEN 09NOV2013	DONGGUAN CHINA	
		CHK QUENTIN LIU 09NOV2013		
		APVD TONY YUAN 09NOV2013		
DIMENSIONS: mm 		TOLERANCES UNLESS OTHERWISE SPECIFIED: 0 PLC ± 1 PLC ± 2 PLC ±0.25 3 PLC ± 4 PLC ± ANGLES ± APPLICATION SPEC	MODEL NAME MAGJACK OVER USB NON-PoE	
PRODUCT SPEC		DESC MAGJACK OVER DUAL USB3.0 URG153 CIRCUIT, GIGABIT, W/ LEDS		RESTRICTED TO
		SIZE A2	CAGE CODE C-2250125	DRAWING NO -
		CUSTOMER DRAWING		SCALE 3:1 SHEET 1 OF 5 REV 8

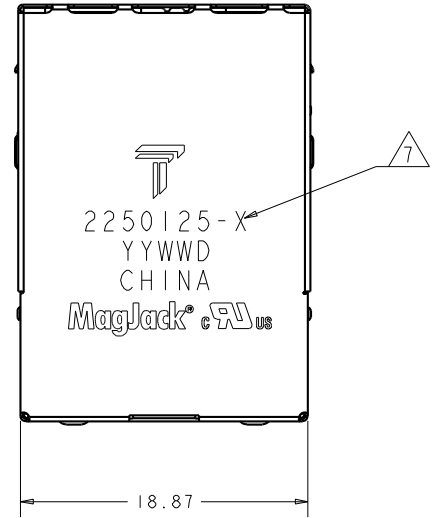
4

3

2

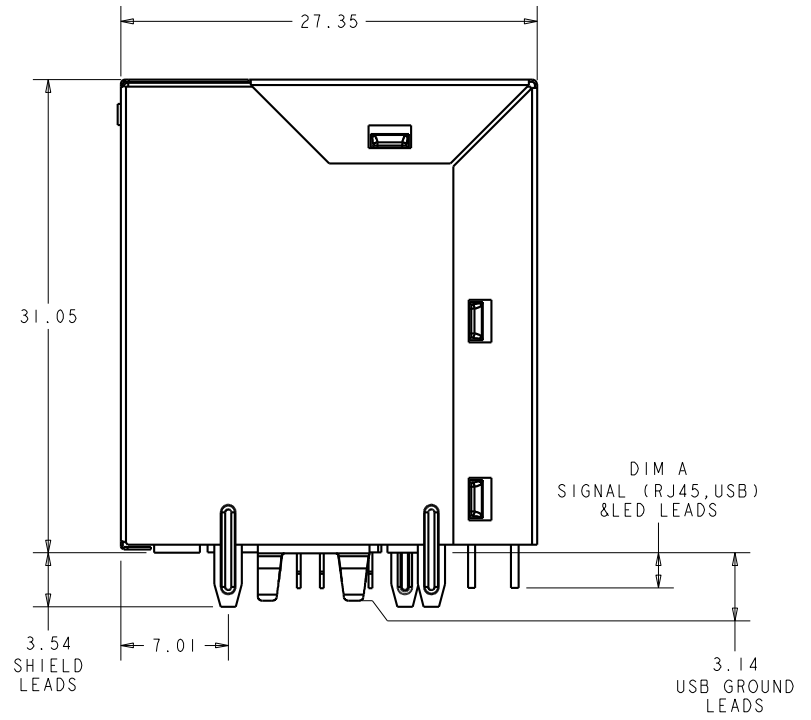
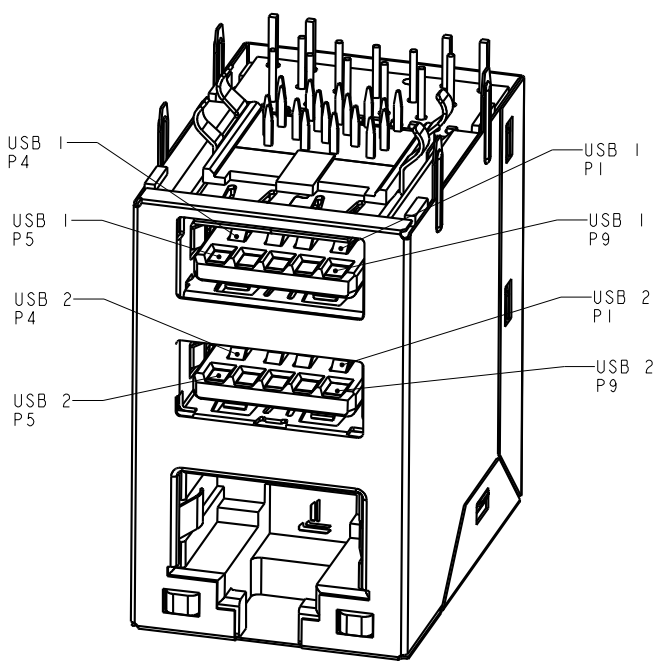
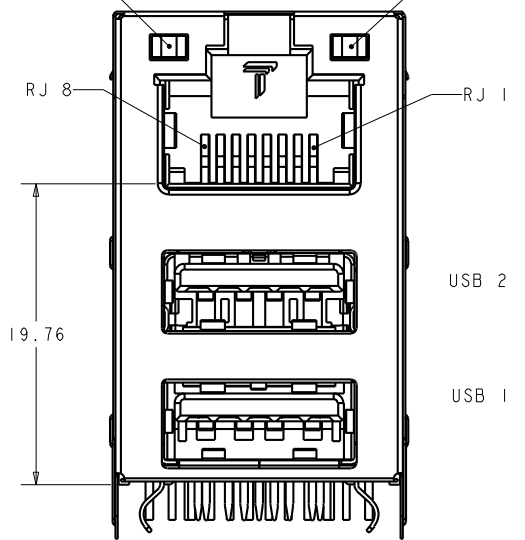
1


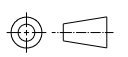
© COPYRIGHT TRP connector ALL RIGHTS RESERVED



LED 2  
SEE TABLE FOR COLOR

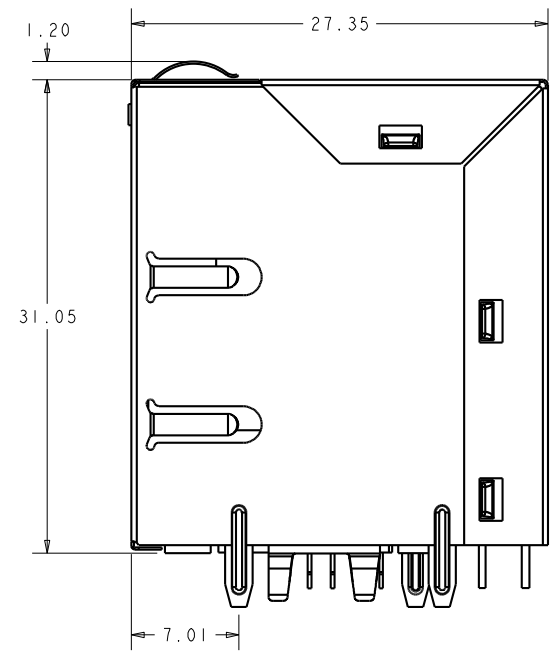
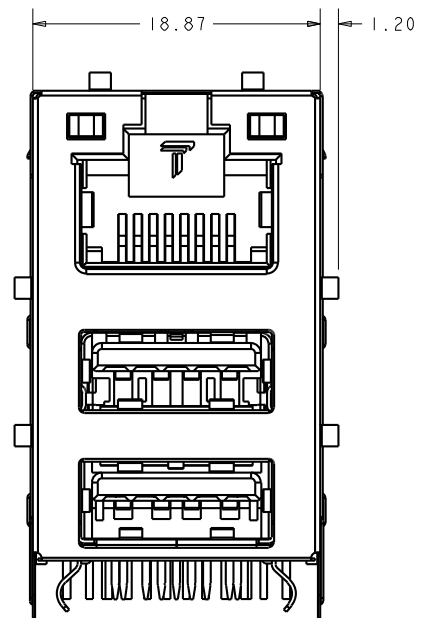
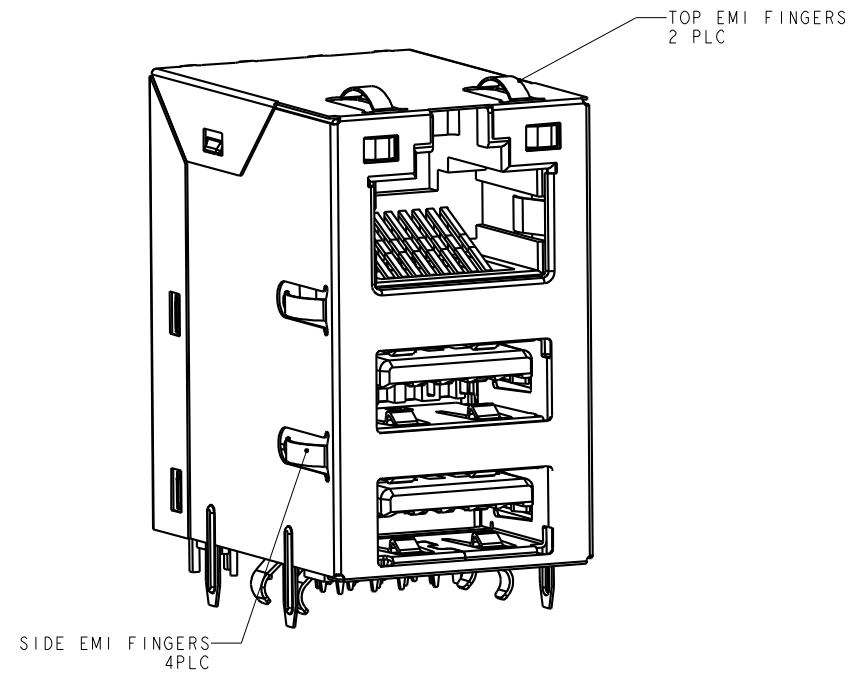
LED 1  
SEE TABLE FOR COLOR




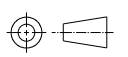
THIS DRAWING IS A CONTROLLED DOCUMENT.		DWN JAMISON CHEN 09NOV2013	 <b>trp</b> CONNECTOR a bel group	DONGGUAN CHINA
DIMENSIONS: mm		CHK QUENTIN LIU 09NOV2013		
		APVD TONY YUAN 09NOV2013		
TOLERANCES UNLESS OTHERWISE SPECIFIED: 0 PLC ±- 1 PLC ±- 2 PLC ±0.25 3 PLC ±- 4 PLC ±- ANGLES ±- APPLICATION SPEC		MODEL NAME MAGJACK		
PRODUCT SPEC		OVER USB NON-POE	DESC MAGJACK OVER DUAL USB3.0 URGI53 CIRCUIT, GIGABIT, W/ LEDS	RESTRICTED TO
-		SIZE A2	CAGE CODE C-2250125	DRAWING NO -
CUSTOMER DRAWING			SCALE 3:1	SHEET 2 OF 5
			REV 8	

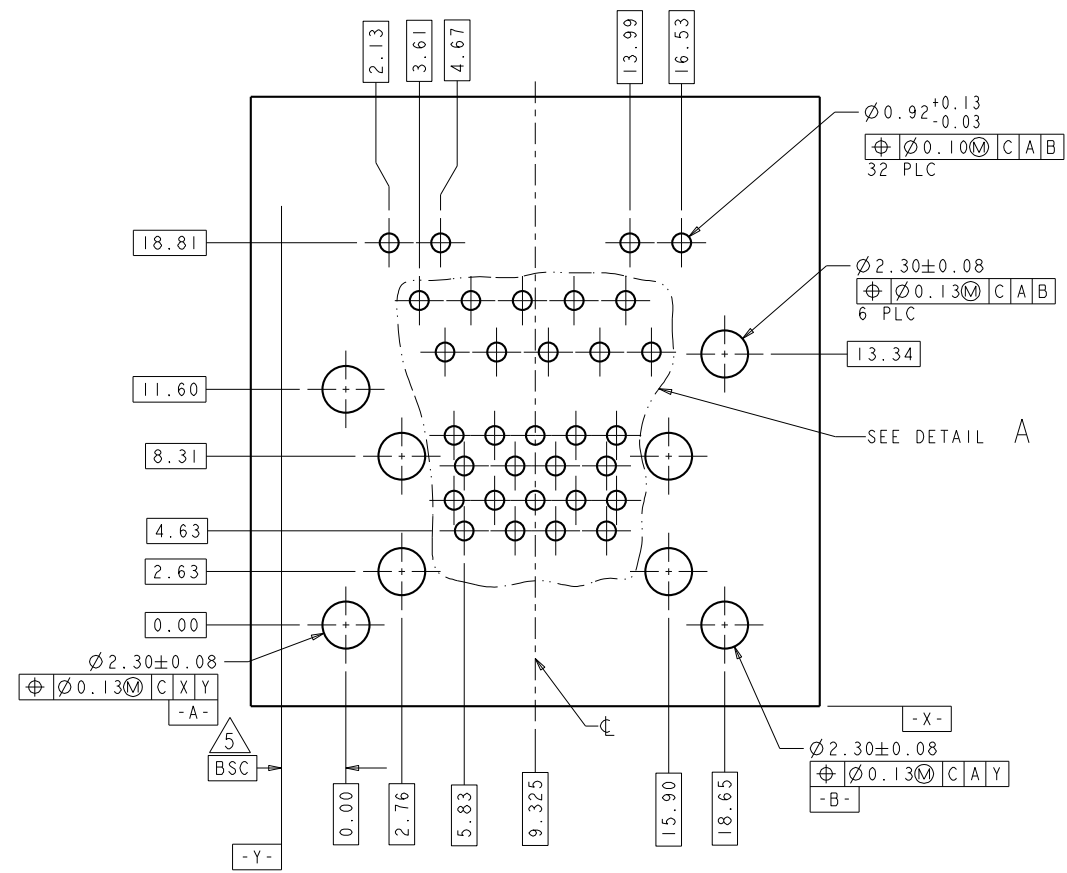
XXXX

© COPYRIGHT TRP connector ALL RIGHTS RESERVED

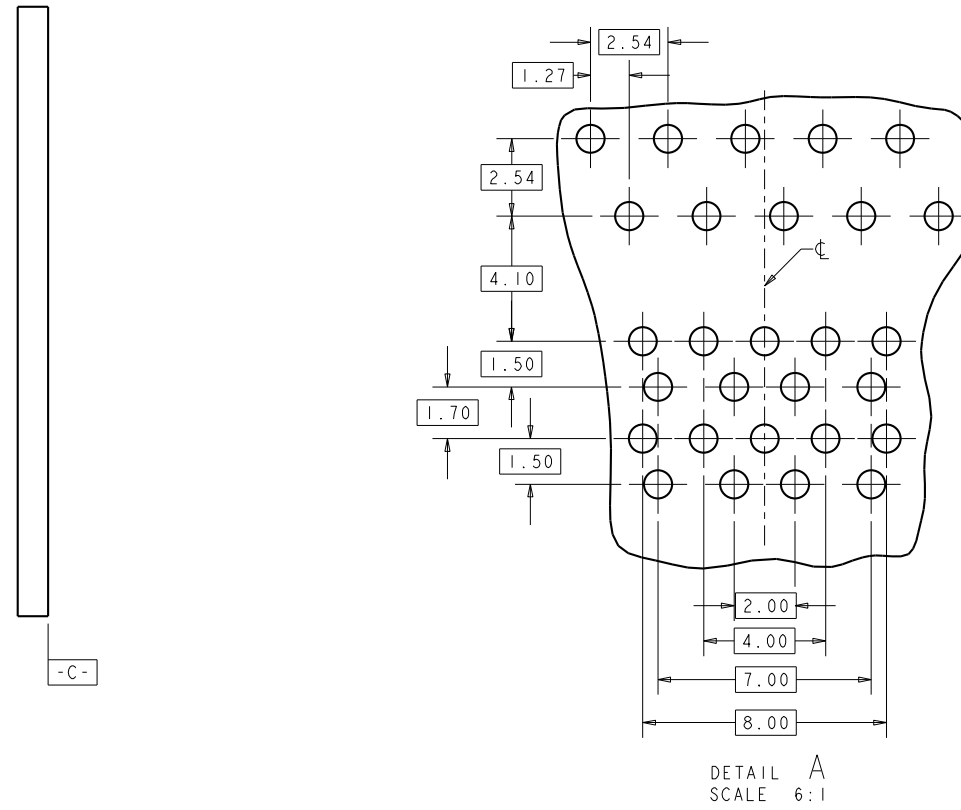



THIS SHEET FOR I-2250125-2

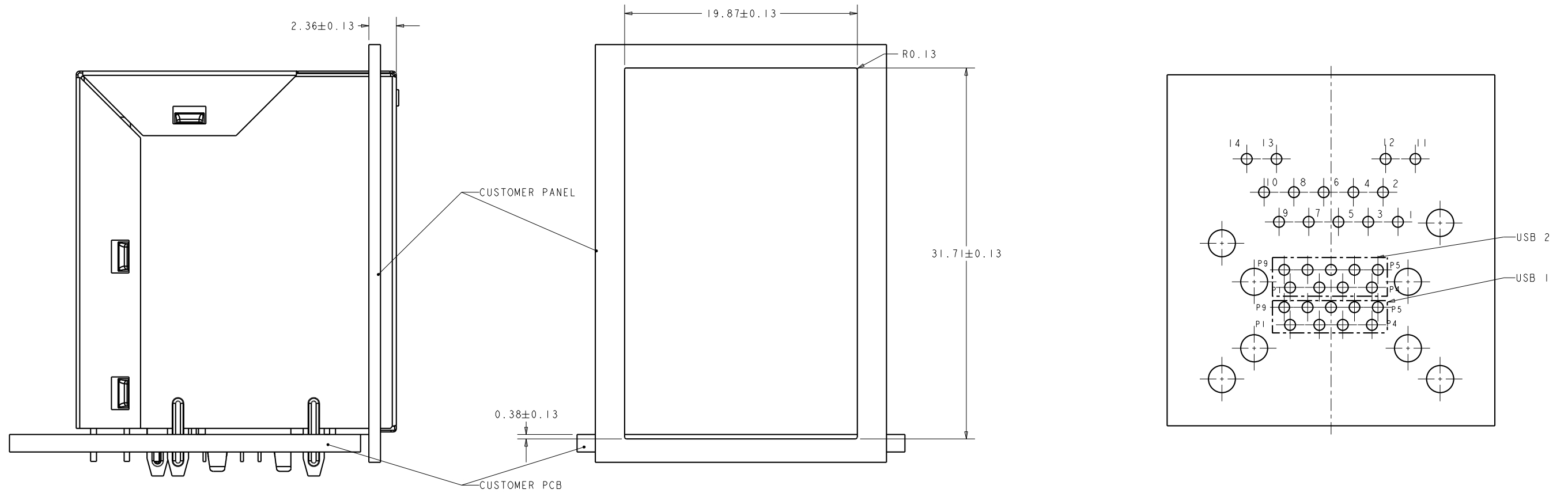
THIS DRAWING IS A CONTROLLED DOCUMENT.		DWN JAMISON CHEN 09NOV2013	 <b>trp</b> CONNECTOR a bel group	DONGGUAN CHINA
DIMENSIONS: mm		CHK QUENTIN LIU 09NOV2013		
		APVD TONY YUAN 09NOV2013		
TOLERANCES UNLESS OTHERWISE SPECIFIED: 0 PLC ± 1 PLC ± 2 PLC ±0.25 3 PLC ± 4 PLC ± ANGLES ± APPLICATION SPEC		MODEL NAME MAGJACK		
PRODUCT SPEC		DESC MAGJACK OVER DUAL USB3.0 URGI53 CIRCUIT, GIGABIT, W/ LEDS		RESTRICTED TO
-		SIZE A2		CAGE CODE C-2250125
-		CUSTOMER DRAWING		SCALE 3:1 SHEET 3 OF 5 REV 8



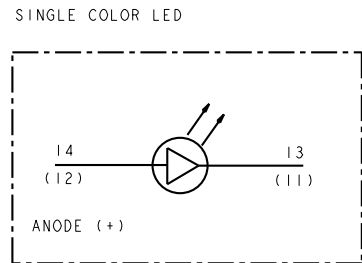
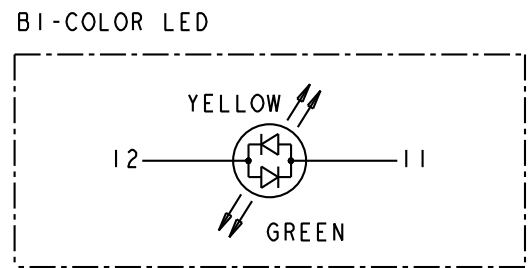
RECOMMENDED PC BOARD LAYOUT  
(VIEW FROM COMPONENT SIDE)



THIS DRAWING IS A CONTROLLED DOCUMENT.		DWN JAMISON CHEN 09NOV2013	 <b>trp</b> CONNECTOR a bel group DONGGUAN CHINA
DIMENSIONS: mm		CHK QUENTIN LIU 09NOV2013	
TOLERANCES UNLESS OTHERWISE SPECIFIED:		APVD TONY YUAN 09NOV2013	DESC MAGJACK OVER DUAL USB3.0 URGI53 CIRCUIT, GIGABIT, W/ LEDS
0 PLC ±- 1 PLC ±- 2 PLC ±0.25 3 PLC ±- 4 PLC ±- ANGLES ±- APPLICATION SPEC ±-		MODEL NAME MAGJACK OVER USB NON-PoE	SIZE A2
PRODUCT SPEC		CAGE CODE C=2250125	DRAWING NO -
-		CUSTOMER DRAWING	
-		SCALE 3:1	SHEET 4 OF 5
-		REV 8	



SUGGEST CUSTOMER CUTOUT DIMENSIONS



THIS DRAWING IS A CONTROLLED DOCUMENT.		DWN JAMISON CHEN 09NOV2013	<p><b>trp</b> CONNECTOR a bel group</p> <p>DONGGUAN CHINA</p>
DIMENSIONS: mm		CHK QUENTIN LIU 09NOV2013	
TOLERANCES UNLESS OTHERWISE SPECIFIED:		APVD TONY YUAN 09NOV2013	
	0 PLC ±- 1 PLC ±- 2 PLC ±0.25 3 PLC ±- 4 PLC ±- ANGLES ±- APPLICATION SPEC -	MODEL NAME MAGJACK	DESC MAGJACK OVER DUAL USB3.0 URGI53 CIRCUIT, GIGABIT, W/ LEDS
PRODUCT SPEC	-	OVER USB NON-POE	SIZE A2
CUSTOMER DRAWING		SCALE 3:1	DRAWING NO C=2250125
		SHEET 5	OF 5
		REV 8	RESTRICTED TO -