

THE INFORMATION CONTAINED HEREIN IS CONSIDERED "PROPRIETARY" TO BEL FUSE INC. AND SHALL NOT BE COPIED, REPRODUCED OR DISCLOSED WITHOUT THE WRITTEN APPROVAL OF BEL FUSE INC.

LED 2 & 4 POLARITY			LED 1 & 3 POLARITY		
PIN 13	PIN 14	COLOR	PIN 15	PIN 16	COLOR
+	-	YELLOW	+	-	YELLOW
-	+	GREEN	-	+	GREEN

ELECTRICAL CHARACTERISTICS @ 25°C

URNS RATIO

TP1	1CT : 1CT ±2%
TP2	1CT : 1CT ±2%
TP3	1CT : 1CT ±2%
TP4	1CT : 1CT ±2%

□CL @ 100kHz/100mVRMS

FOR CHANNEL 1 AND CHANNEL 2
11mA DC BIAS 350µH MIN.

Compliant to IEEE 802.3at specification
FOR CHANNEL 3 AND CHANNEL 4

8mA DC BIAS 350µH MIN.

INS. LOSS

0.1MHz TO 1MHz	-1.1 dB MAX
1MHz TO 65MHz	-0.5 dB MAX
65MHz TO 100MHz	-0.8 dB MAX
100MHz TO 125MHz	-1.2 dB MAX

RET. LOSS (MIN) @ 100OHMS ±15%

0.5MHz-40MHz	-18 dB
40MHz-100MHz	-12+20LOG(f/80MHz) dB

CM TO CM REJ

100kHz - 100MHz -30 dB MIN

CM TO DM REJ

100kHz - 100MHz -35 dB MIN

HIPOT (Isolation Voltage): 2250 VDC

100% OF PRODUCTION TESTED TO COMPLY WITH
IEEE 802.3 ISOLATION REQUIREMENTS.

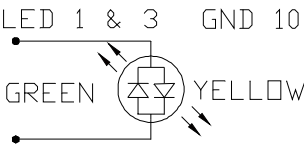
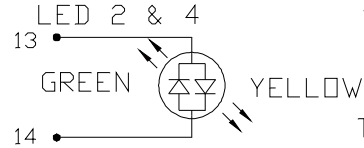
BALANCED DC LINE CURRENT 600mA MAX. CONTINUOUS

LED 1 & 2 & 3 & 4 1.2A MAX. FOR 200 MILLISECONDS

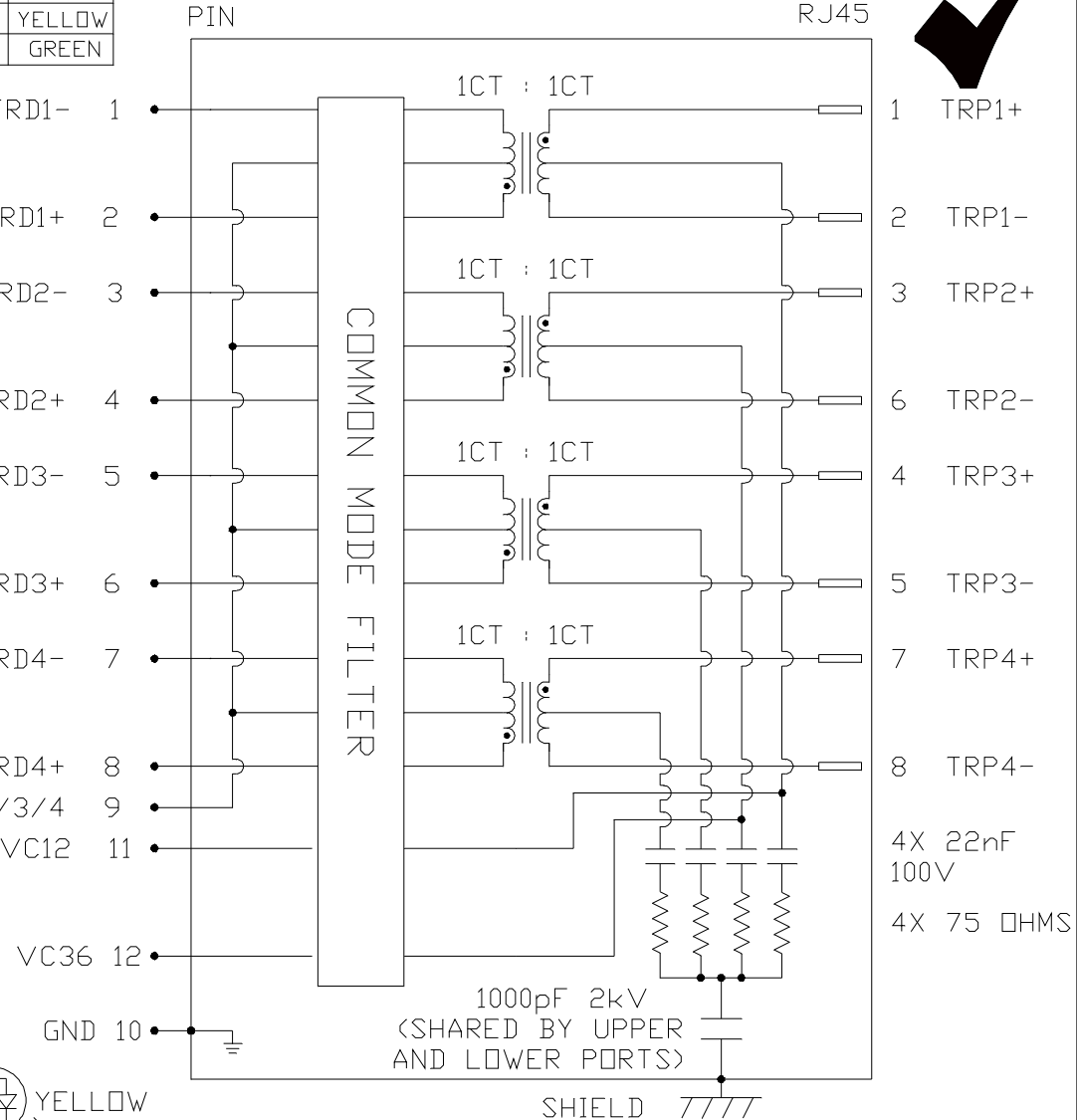
V_F (FORWARD VOLTAGE) IF=20mA GREEN 2.2V TYP.
YELLOW 2.1V TYP.

λ_D (DOMINANT WAVELENGTH) IF=20mA GREEN 570nm TYP.
YELLOW 590nm TYP.

OPERATING TEMPERATURE -40°C TO +85°C



SCHEMATIC



ORIGINATED BY
CHOW WANCHUNG
DATE 2020-08-14

DRAWN BY
XIEYIMING
DATE 2020-08-14

TITLE
2X4 gigabit MagJack®
PoEp
(WITH EXTENDED TEMPERATURE)
PATENTED

PART NO. / DRAWING NO.
0895-2C4R-GK

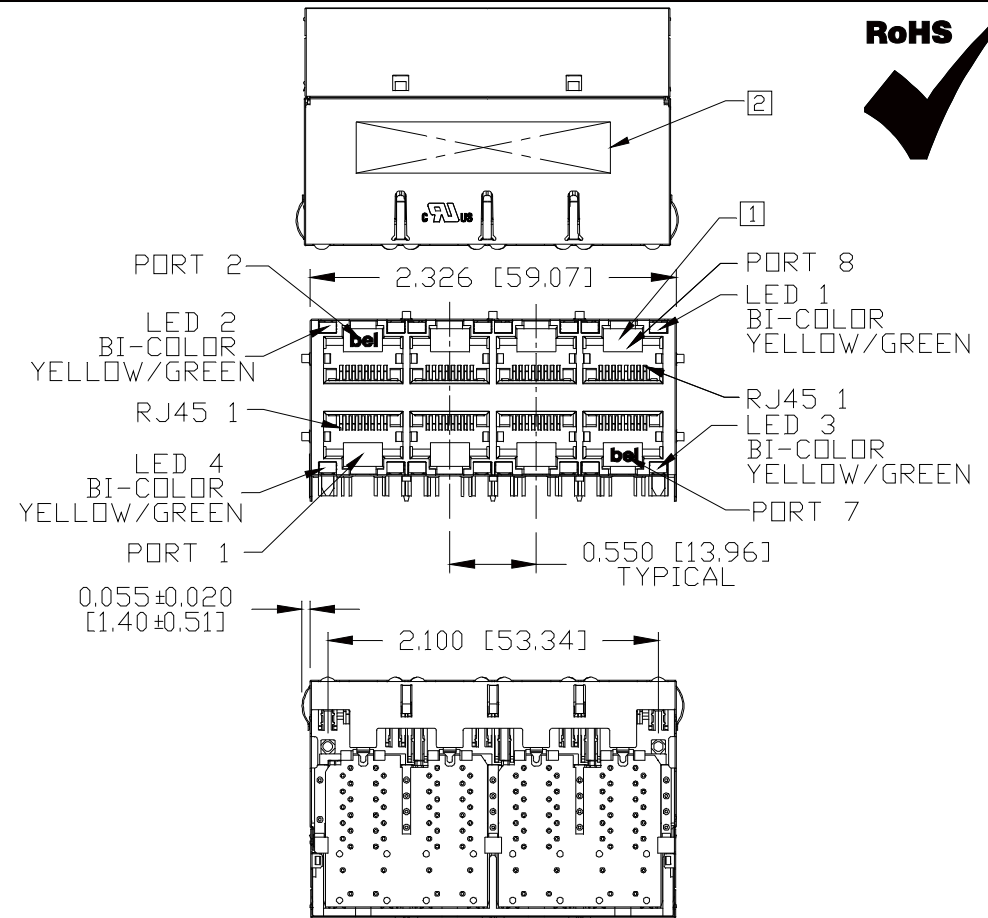
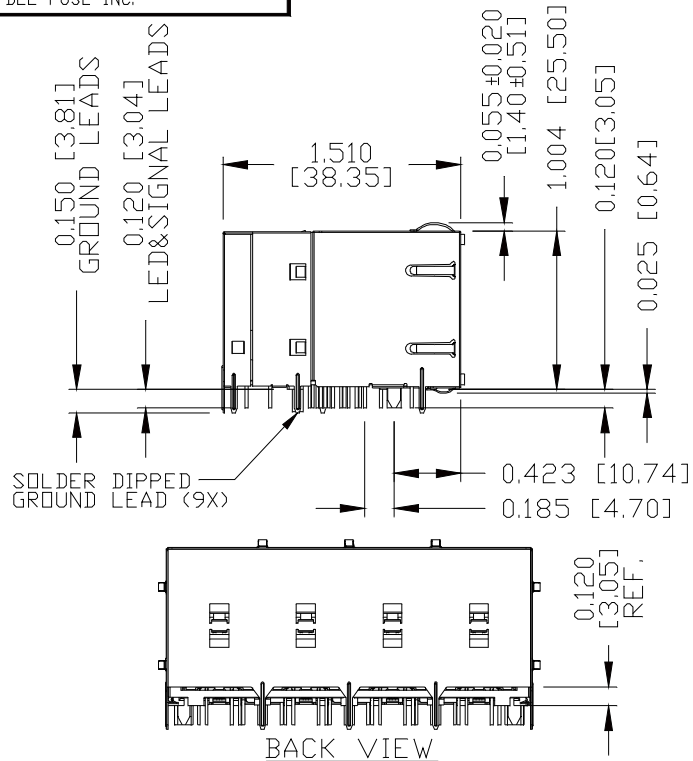
FILE NAME
0895-2C4R-GK_B.DWG

STANDARD DIM. TOL. IN INCH	[] METRIC DIM. AS REF.
.X	UNIT : INCH [mm]
.XX	SCALE : N/A
.XXX	SIZE : A4

REV. : B PAGE : 2



THE INFORMATION CONTAINED HEREIN IS CONSIDERED "PROPRIETARY" TO BEL FUSE INC. AND SHALL NOT BE COPIED, REPRODUCED OR DISCLOSED WITHOUT THE WRITTEN APPROVAL OF BEL FUSE INC.



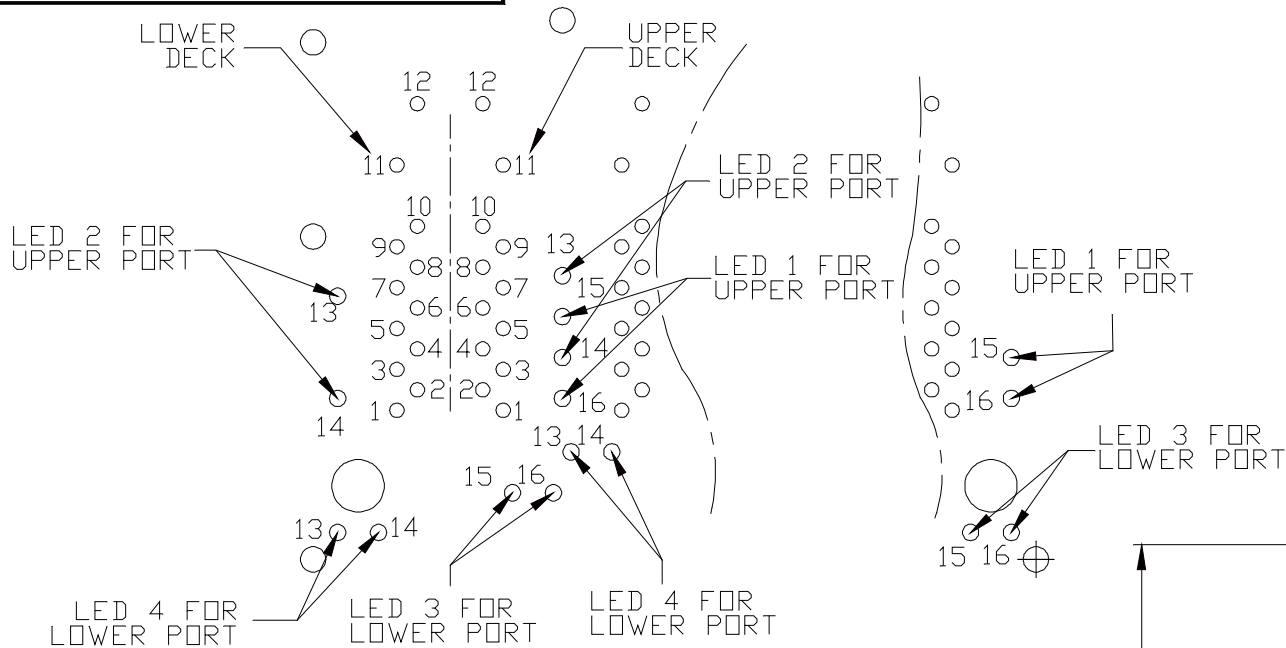
NOTES:
 PLASTIC HOUSING: THERMOPLASTIC PBT, BLACK
 FLAMMABILITY RATING UL 94V-0
 CONTACT PLATING: 50 MICRO-INCH HARD GOLD PLATING OR EQUIVALENT.
 OUTPUT PINS: TIN-COATED COPPER WIRE, DIA 0.018 INCH.
 METAL SHIELD: NICKEL PLATED ON COPPER ALLOY.
 (ALL GROUND LEADS ARE SOLDER DIPPED)

- 1. JACK CAVITY CONFORMS TO FCC RULES AND REGULATIONS, PART 68 SUBPART F.
- 2. MARK PART WITH MFG LOGO, PART NUMBER, DATE CODE, MFG NAME AND PATENTED.

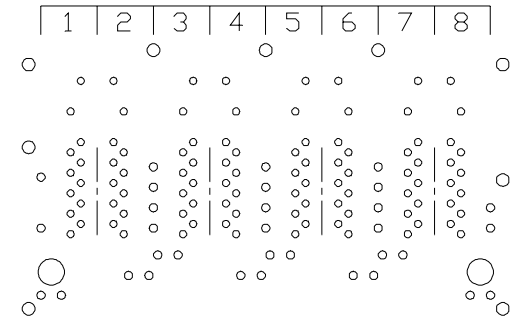
- 3. THE PRODUCT IS RoHS COMPLIANT.
- 4. REVERSED POLARITY OF GENERAL 'C' LED.
- 5. THE PRODUCT IS PATENTED. THE PATENT NUMBER ARE U.S. PAT. 6,840,817 AND U.S. PAT. 7,123,117.
- 6. THE PART IS RECOMMENDED FOR WAVE SOLDERING. THE SUGGESTED PEAK WAVE SOLDERING CONDITION IS 260°C MAX AND 10 SECONDS MAX.

ORIGINATED BY SANDY LIN DATE 2020-08-14	TITLE 2X4 gigabit MagJack® PoEp (WITH EXTENDED TEMPERATURE) PATENTED	PART NO. / DRAWING NO. 0895-2C4R-GK	STANDARD DIM. TOL. IN INCH	[] METRIC DIM. AS REF.	REV. : B	PAGE : 3
DRAWN BY RUAN WENJUN DATE 2020-08-14		FILE NAME 0895-2C4R-GK_B.DWG	.X	UNIT : INCH [mm]		
			.XX	SCALE : N/A		
			.XXX	±0.010		

THE INFORMATION CONTAINED HEREIN IS CONSIDERED "PROPRIETARY" TO BEL FUSE INC. AND SHALL NOT BE COPIED, REPRODUCED OR DISCLOSED WITHOUT THE WRITTEN APPROVAL OF BEL FUSE INC.

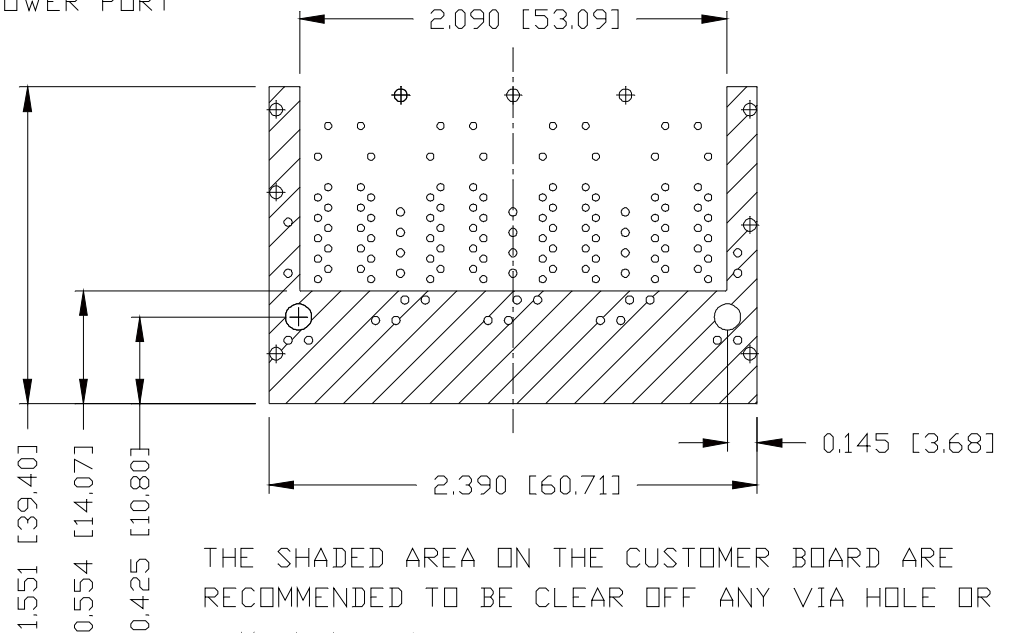


PORT ASSIGNMENT
(COMPONENT SIDE VIEW)



PIN-OUT INFORMATION
(COMPONENT SIDE VIEW)

10	GND	16	YEL(-) GRN(+)
9	TRDCT1/2/3/4	15	YEL(+) GRN(-)
8	TRD 4+	14	YEL(-) GRN(+)
7	TRD 4-	13	YEL(+) GRN(-)
6	TRD 3+	12	VC36
5	TRD 3-	11	VC12
4	TRD 2+		
3	TRD 2-		
2	TRD 1+		
1	TRD 1-		



THE SHADED AREA ON THE CUSTOMER BOARD ARE RECOMMENDED TO BE CLEAR OFF ANY VIA HOLE OR COMPONENT PAD.

ORIGINATED BY
SANDY LIN
DATE 2020-08-14

DRAWN BY
RUAN WENJUN
DATE 2020-08-14

TITLE
2X4 gigabit MagJack®
PoEp
(WITH EXTENDED TEMPERATURE)
PATENTED

PART NO. / DRAWING NO.
0895-2C4R-GK

FILE NAME
0895-2C4R-GK_B.DWG

STANDARD DIM.
TOL. IN INCH

.X	
.XX	
.XXX	±0.004

[] METRIC DIM.
AS REF.

UNIT : INCH [mm]
SCALE : N/A
SIZE : A4

REV. : B

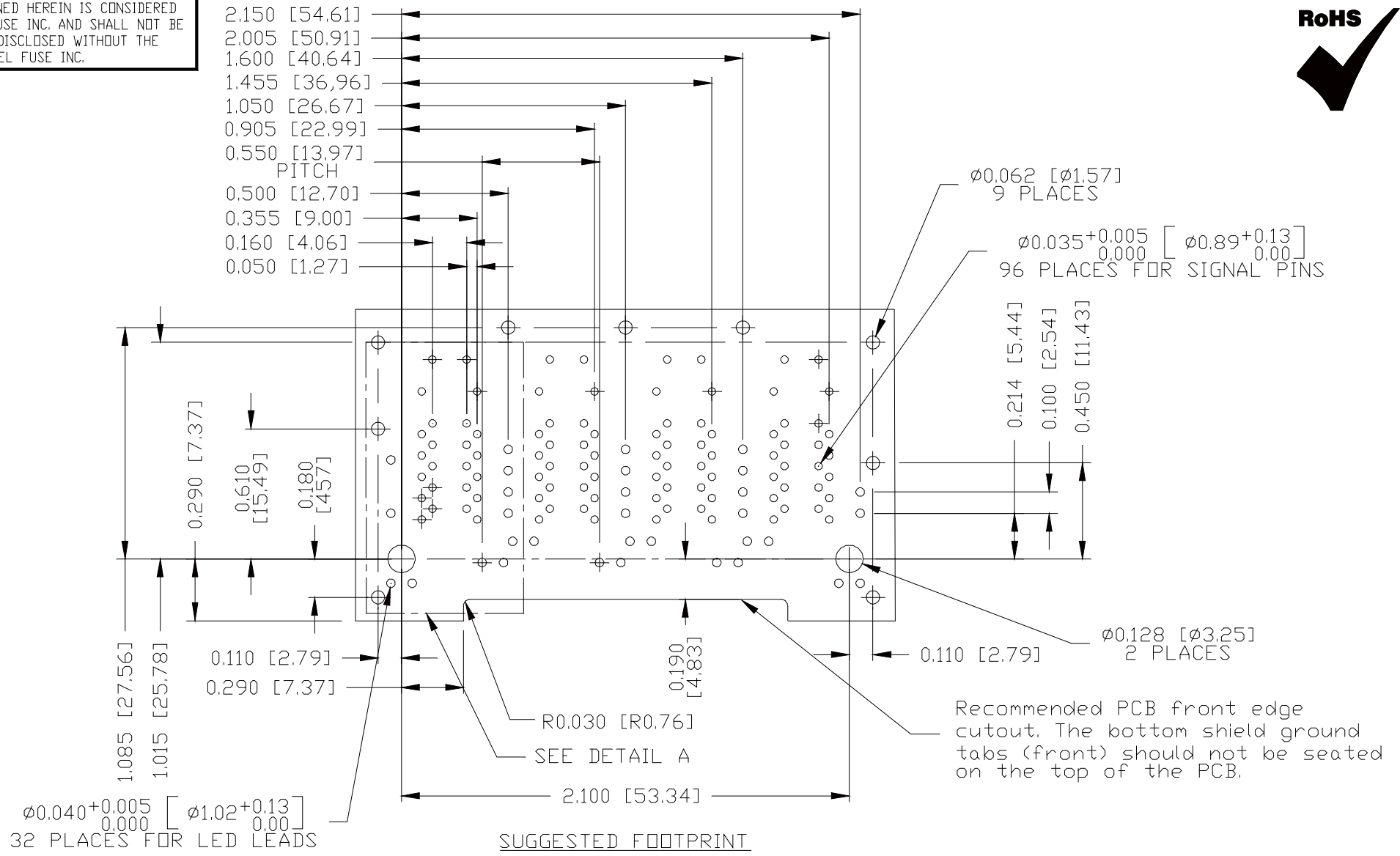
PAGE : 4



a bel group

THE INFORMATION CONTAINED HEREIN IS CONSIDERED "PROPRIETARY" TO BEL FUSE INC. AND SHALL NOT BE COPIED, REPRODUCED OR DISCLOSED WITHOUT THE WRITTEN APPROVAL OF BEL FUSE INC.

RoHS



SUGGESTED FOOTPRINT
(COMPONENT SIDE VIEW)

REV. :	B	PAGE :	5
--------	---	--------	---

ORIGINATED BY
SANDY LIN
DATE 2020-08-14

DRAWN BY
RUAN WENJUN
DATE 2020-08-14

TITLE
2X4 gigabit MagJack®
PoEp
(WITH EXTENDED TEMPERATURE)
PATENTED

PART NO. / DRAWING NO.
0895-2C4R-GK

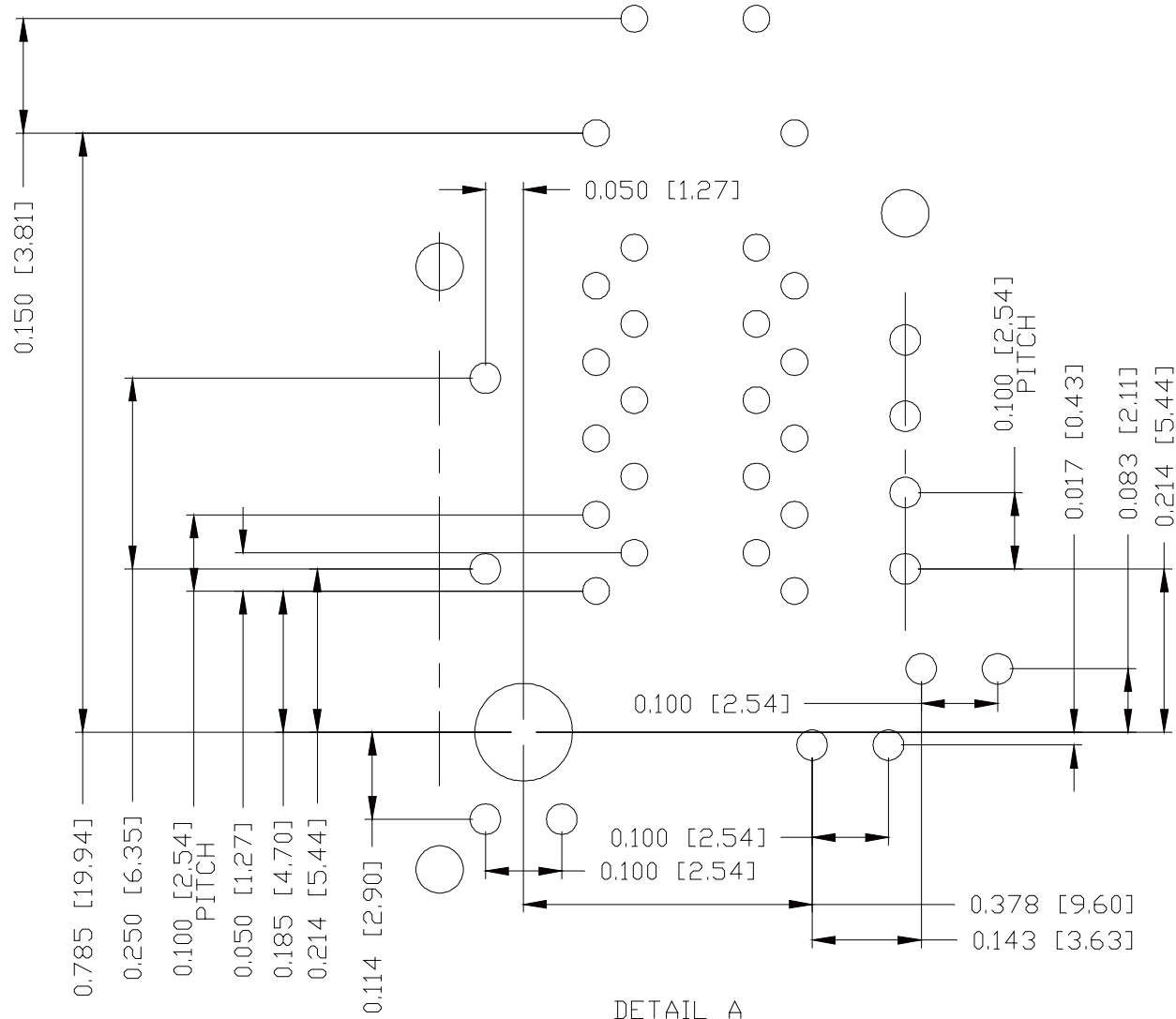
FILE NAME
0895-2C4R-GK_B.DWG

STANDARD DIM. TOL. IN INCH	[] METRIC DIM. AS REF.
.X	UNIT : INCH [mm]
.XX	SCALE : N/A
.XXX	SIZE : A4



THE INFORMATION CONTAINED HEREIN IS CONSIDERED "PROPRIETARY" TO BEL FUSE INC. AND SHALL NOT BE COPIED, REPRODUCED OR DISCLOSED WITHOUT THE WRITTEN APPROVAL OF BEL FUSE INC.

RoHS



DETAIL A

REV. :	B	PAGE :	6
--------	---	--------	---

ORIGINATED BY
SANDY LIN
DATE 2020-08-14

DRAWN BY
RUAN WENJUN
DATE 2020-08-14

TITLE
2X4 gigabit MagJack®
PoEp
(WITH EXTENDED TEMPERATURE)
PATENTED

PART NO. / DRAWING NO.
0895-2C4R-GK

FILE NAME
0895-2C4R-GK_B.DWG

STANDARD DIM. TOL. IN INCH	[] METRIC DIM. AS REF.
.X	UNIT : INCH [mm]
.XX	SCALE : N/A
.XXX ±0.004	SIZE : A4

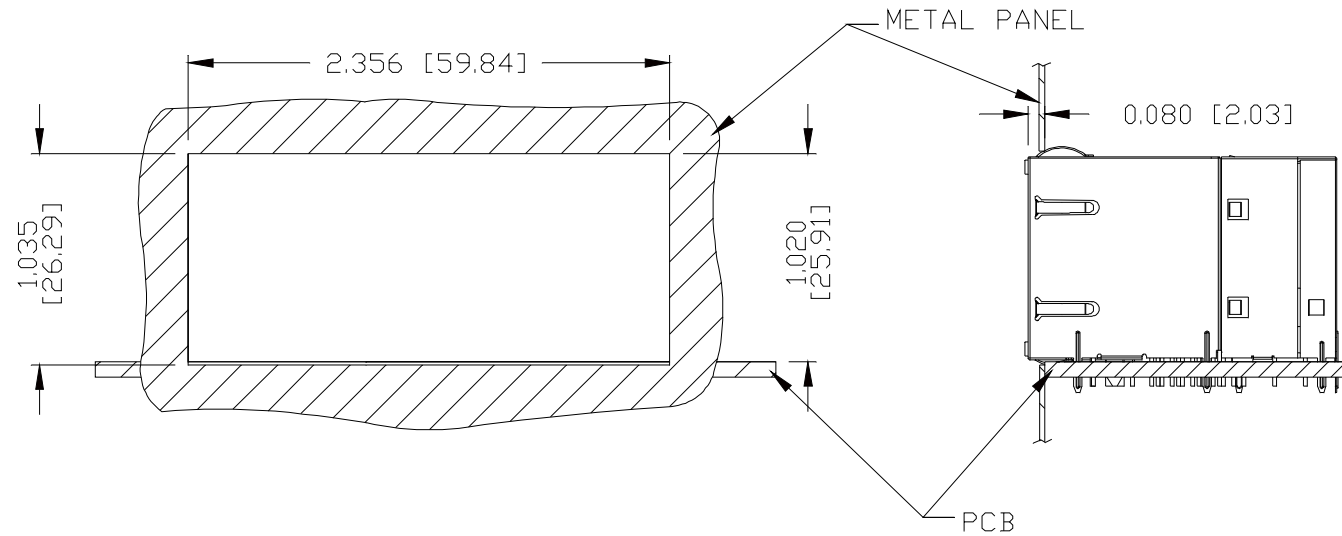


THE INFORMATION CONTAINED HEREIN IS CONSIDERED "PROPRIETARY" TO BEL FUSE INC. AND SHALL NOT BE COPIED, REPRODUCED OR DISCLOSED WITHOUT THE WRITTEN APPROVAL OF BEL FUSE INC.

RoHS



SUGGESTED PANEL OPENING



NOTE:

THE DISTANCE OF PANEL INSIDE SURFACE RELATIVE TO FRONT SURFACE OF PART IS ONLY A SUGGESTION. IN CASE THIS DISTANCE IS DIFFERENT, THE REQUIRED PANEL OPENING DIMENSIONS CHANGE ACCORDINGLY.

PACKING INFORMATION

PACKING TRAY : 0200-9999-G2 (TOP)
0200-9999-G3 (BOTTOM)

PACKING QUANTITY : 20 PCS FINISHED GOODS PER TRAY
5 TRAYS (100 PCS FINISHED GOODS) PER CARTON BOX

REMARK : CARDBOARDS ARE PLACED BETWEEN LAYERS OF PACKING TRAY INSIDE CARTON BOX
(INCLUDE THE UPPERMOST AND LOWERMOST TRAY)

REV. : B PAGE : 7

ORIGINATED BY
SANDY LIN
DATE 2020-08-14
DRAWN BY
RUAN WENJUN
DATE 2020-08-14

TITLE
2X4 gigabit MagJack®
PoEp
(WITH EXTENDED TEMPERATURE)
PATENTED

PART NO. / DRAWING NO.
0895-2C4R-GK
FILE NAME
0895-2C4R-GK_B.DWG

STANDARD DIM. TOL. IN INCH	[] METRIC DIM. AS REF.
.X	UNIT : INCH [mm]
.XX	SCALE : N/A
.XXX ±0.005	SIZE : A4

