

THE INFORMATION CONTAINED HEREIN IS CONSIDERED "PROPRIETARY" TO BEL FUSE INC. AND SHALL NOT BE COPIED, REPRODUCED OR DISCLOSED WITHOUT THE WRITTEN APPROVAL OF BEL FUSE INC.

LED 1 POLARITY			LED 2 POLARITY		
PIN 17	PIN 18	COLOR	PIN 19	PIN 20	COLOR
-	+	YELLOW	+	-	ORANGE
			-	+	GREEN

PRELIMINARY  
SCHEMATIC



ELECTRICAL CHARACTERISTICS @ 25°C

URNS RATIO

TP1	1CT : 1CT	±2%
TP2	1CT : 1CT	±2%
TP3	1CT : 1CT	±2%
TP4	1CT : 1CT	±2%

DCL @ 100kHz/100mVRMS (4CHANNEL)

(-40°C - 85°C) 180µH MIN.

19mA DC BIAS(-40°C - 85°C) 120µH MIN.

RET. LOSS (MIN)

1MHz-40MHz -16 dB

40MHz-250MHz -16+LOG(F/40) dB

CM TO CM REJ

100kHz - 100MHz -30 dB MIN

CM TO DM REJ

100kHz - 100MHz -35 dB MIN

HIPOT (Isolation Voltage): 2250 VDC

100% OF PRODUCTION TESTED TO COMPLY WITH IEEE 802.3 ISOLATION REQUIREMENTS

BALANCED DC LINE CURRENT 720 mA MAX. @ 57 VDC CONTINUOUS

1.2 A MAX. @ 57 VDC FOR 200 MILLISECONDS

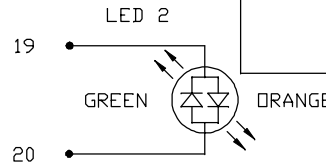
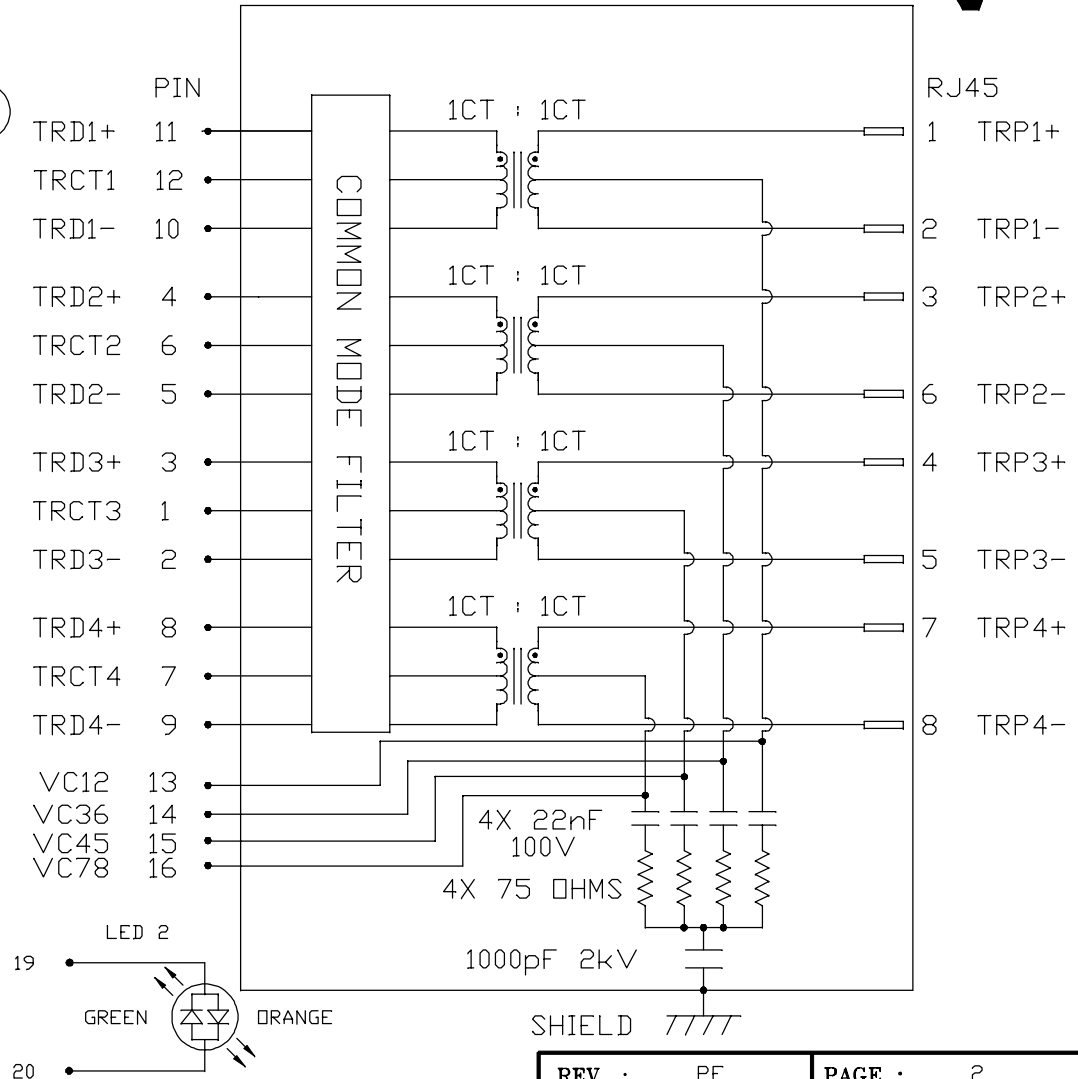
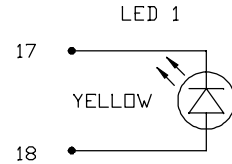
OPERATING TEMPERATURE: -40°C TO 85°C

LED 1

VF (FORWARD VOLTAGE) IF=20mA YELLOW 2.1V TYP.  
λD (DOMINANT WAVELENGTH) IF=20mA YELLOW 590nm TYP.

LED 2

VF (FORWARD VOLTAGE) IF=20mA GREEN 2.2V TYP.  
ORANGE 2.0V TYP.  
λD (DOMINANT WAVELENGTH) IF=20mA GREEN 570nm TYP.  
ORANGE 605nm TYP.



ORIGINATED BY  
CHOW WANGCHUNG  
DATE 2017-08-29

DRAWN BY  
LI LINFENG  
DATE 2017-08-29

TITLE  
5 Gigabit MagJack®  
(4PPoE, Extended Temperature)  
0826-1X1T-JK-F  
PATENTED

PART NO. / DRAWING NO.  
08261X1TJK-F  
FILE NAME  
08261X1TJK-F\_PE.DWG

STANDARD DIM. [ ] METRIC DIM.  
TOL. IN INCH AS REF.  
.X UNIT : INCH [mm]  
.XX SCALE : N/A  
.XXX SIZE : A4

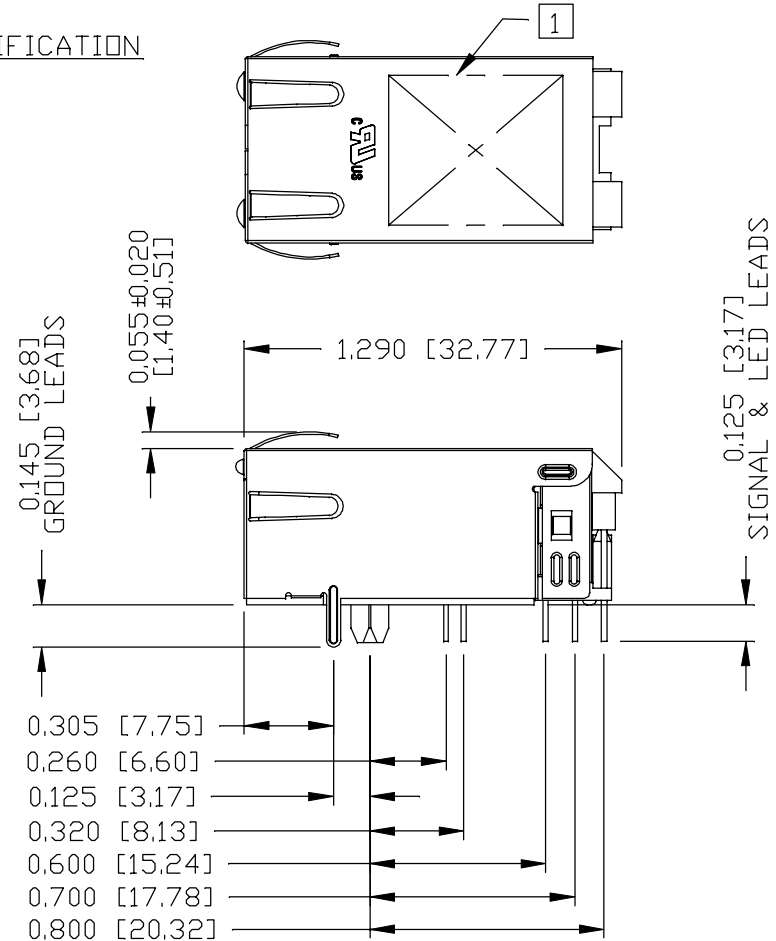
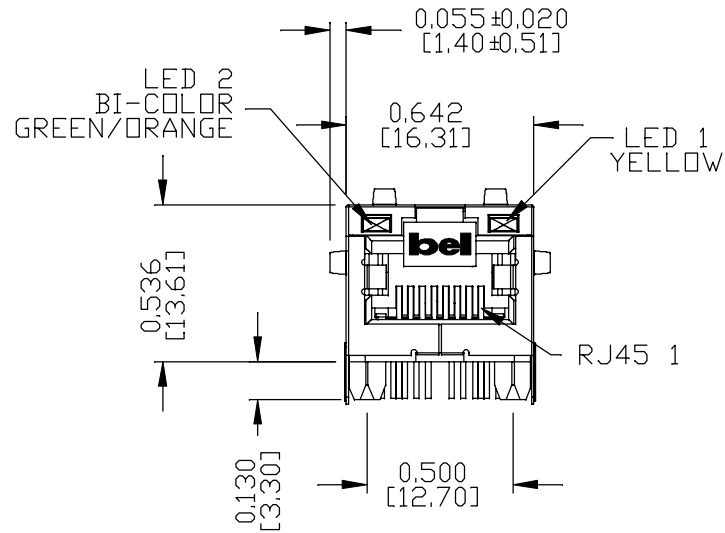
REV. : PE PAGE : 2



THE INFORMATION CONTAINED HEREIN IS CONSIDERED "PROPRIETARY" TO BEL FUSE INC. AND SHALL NOT BE COPIED, REPRODUCED OR DISCLOSED WITHOUT THE WRITTEN APPROVAL OF BEL FUSE INC.

PRELIMINARY

MECHANICAL SPECIFICATION



NOTES:

- PLASTIC HOUSING: THERMOPLASTIC PA, BLACK.  
FLAMMABILITY RATING UL 94V-0
- CONTACTS: 50 MICRO-INCH HARD GOLD PLATING OR EQUIVALENT.
- OUTPUT PINS: TIN-COATED COPPER WIRE, DIA 0.018 INCH.  
100 MICRO-INCH MIN MATTE TIN. PINS ARE SOLDER DIPPED.
- METAL SHIELD: NICKEL PLATED ON COPPER ALLOY.  
(ALL GROUND LEADS ARE SOLDER DIPPED)

1. MARK PART WITH MFG LOGO, MFG NAME, PART NUMBER, DATE CODE AND PATENTED.
2. THE PRODUCT IS RoHS COMPLIANT.

3. JACK CAVITY CONFORMS TO FCC RULES AND REGULATIONS.
4. THE PRODUCT IS PATENTED, THE PATENT NUMBER IS U.S. PAT. 7,123,117.
5. THE PART IS RECOMMENDED FOR WAVE SOLDERING. THE SUGGESTED PEAK WAVE SOLDERING CONDITION IS 260°C MAX AND 10 SECONDS MAX.

UL RECOGNIZED - FILE #E196366 AND E169987.

REV. : PE PAGE : 3

ORIGINATED BY  
ANTON LIAO  
DATE 2017-08-29  
DRAWN BY  
JESSE LI  
DATE 2017-08-29

TITLE  
5 Gigabit MagJack®  
(4PPoE, Extended Temperature)  
PATENTED

PART NO. / DRAWING NO.  
08261X1TJK-F  
FILE NAME  
08261X1TJK-F\_PE.DWG

STANDARD DIM. TOL. IN INCH		[ ] METRIC DIM. AS REF.	
.X		UNIT : INCH [mm]	
.XX		SCALE : N/A	
.XXX	±0.010		SIZE : A4

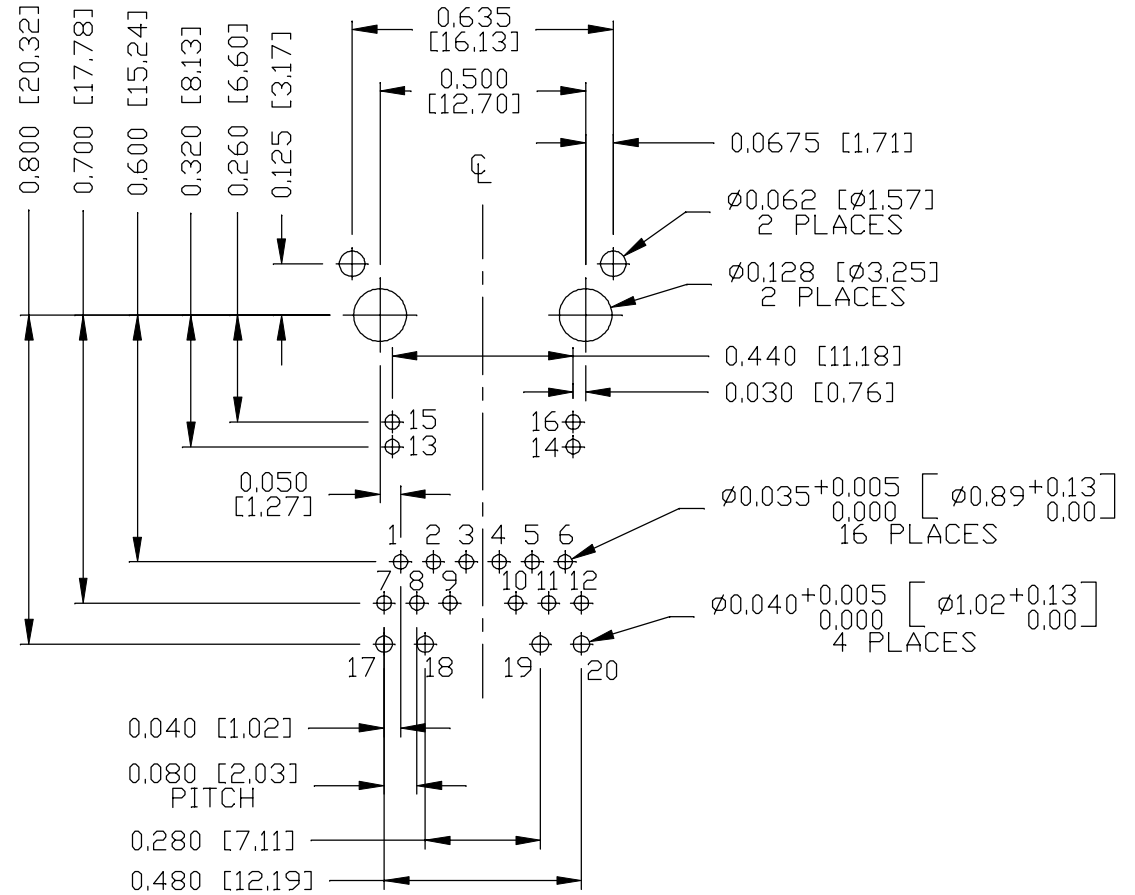
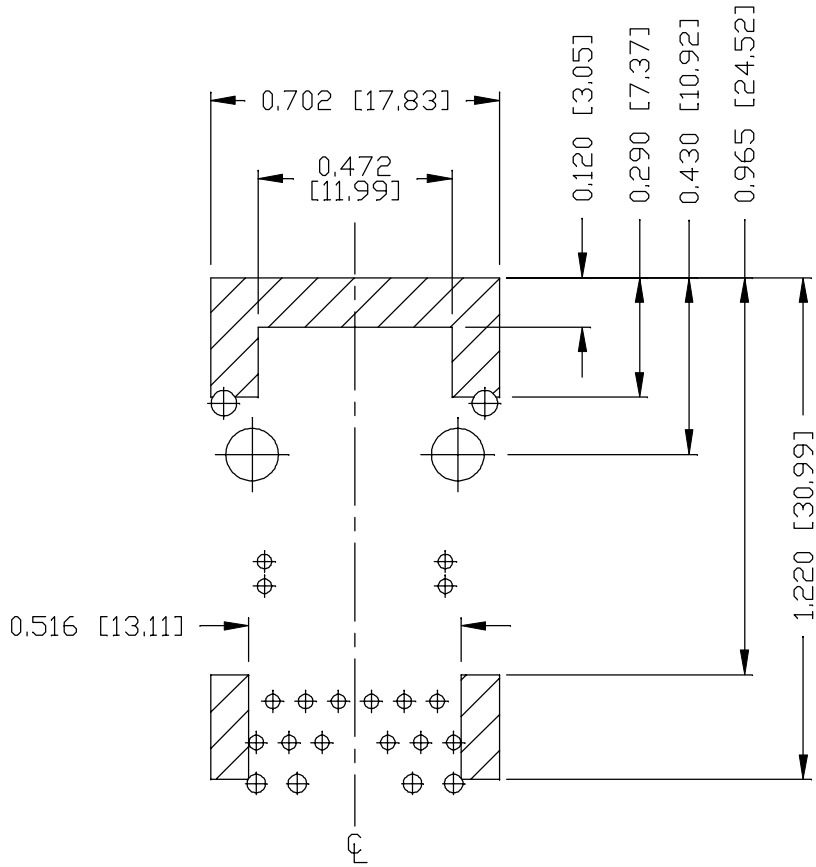


THE INFORMATION CONTAINED HEREIN IS CONSIDERED "PROPRIETARY" TO BEL FUSE INC. AND SHALL NOT BE COPIED, REPRODUCED OR DISCLOSED WITHOUT THE WRITTEN APPROVAL OF BEL FUSE INC.

PRELIMINARY



RECOMMENDED PCB FOOTPRINT  
COMPONENT SIDE VIEW



NOTES

THE SHADED AREA ON THE CUSTOMER BOARD ARE RECOMMENDED TO BE CLEAR OFF ANY VIA HOLE OR COMPONENT PAD.

REV. : PE PAGE : 4

ORIGINATED BY  
ANTON LIAO  
DATE 2017-08-29  
DRAWN BY  
JESSE LI  
DATE 2017-08-29

TITLE  
5 Gigabit MagJack®  
(4PPoE, Extended Temperature)  
0826-1X1T-JK-F  
PATENTED

PART NO. / DRAWING NO.  
08261X1TJK-F  
FILE NAME  
08261X1TJK-F\_PE.DWG

STANDARD DIM. TOL. IN INCH	[ ] METRIC DIM. AS REF.
.X	UNIT : INCH [mm]
.XX	SCALE : N/A
.XXX ±0.004	SIZE : A4

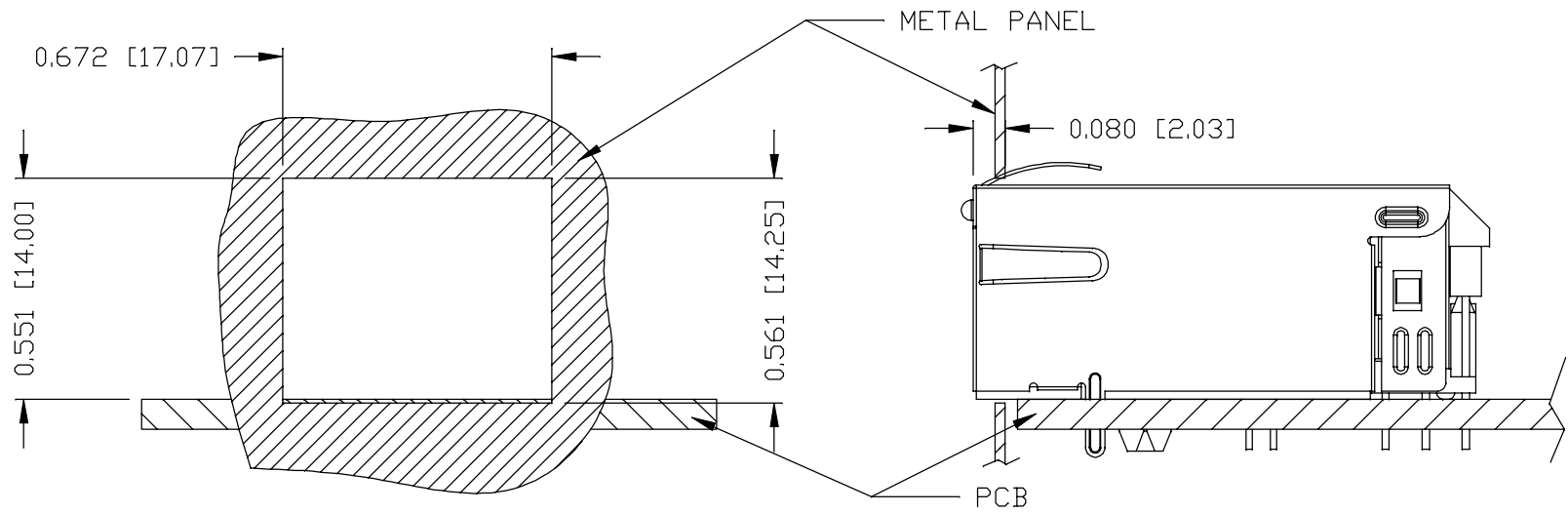


THE INFORMATION CONTAINED HEREIN IS CONSIDERED 'PROPRIETARY' TO BEL FUSE INC. AND SHALL NOT BE COPIED, REPRODUCED OR DISCLOSED WITHOUT THE WRITTEN APPROVAL OF BEL FUSE INC.

PRELIMINARY



SUGGESTED PANEL OPENING



**NOTE:**  
 THE DISTANCE OF PANEL INSIDE SURFACE RELATIVE TO FRONT SURFACE OF PART IS ONLY A SUGGESTION. IN CASE THIS DISTANCE IS DIFFERENT, THE REQUIRED PANEL OPENING DIMENSIONS CHANGE ACCORDINGLY.

PACKING INFORMATION

PACKING TRAY : 0200-9999-F6 (TOP)  
 0200-9999-F7 (BOTTOM)  
 PACKING QUANTITY : 40 PCS FINISHED GOODS PER TRAY  
 10 TRAYS (400 PCS FINISHED GOODS) PER CARTON BOX  
 NOTE : CARDBOARDS ARE PLACED BETWEEN LAYERS OF PACKING TRAY INSIDE CARTON BOX  
 (INCLUDE THE UPPERMOST AND LOWERMOST TRAY)

REV. : PE PAGE : 5

ORIGINATED BY ANTON LIAO DATE 2017-08-29	TITLE 5 Gigabit MagJack <sup>®</sup> (4PPoE, Extended Temperature) 0826-1X1T-JK-F PATENTED	PART NO. / DRAWING NO. 08261X1TJK-F FILE NAME 08261X1TJK-F_PE.DWG	STANDARD DIM. TOL. IN INCH	[ ] METRIC DIM. AS REF.
			.X	UNIT : INCH [mm]
			.XX	SCALE : N/A
DRAWN BY JESSE LI DATE 2017-08-29			.XXX ±0.004	SIZE : A4

