

THE INFORMATION CONTAINED HEREIN IS CONSIDERED "PROPRIETARY" TO BEL FUSE INC. AND SHALL NOT BE COPIED, REPRODUCED OR DISCLOSED WITHOUT THE WRITTEN APPROVAL OF BEL FUSE INC.

RoHS



LED1 POLARITY			LED2 POLARITY		
PIN 12	PIN 13	COLOR	PIN 14	PIN 15	COLOR
-	+	YELLOW	+	-	ORANGE
			-	+	GREEN

ELECTRICAL CHARACTERISTICS @ 25°C

URNS RATIO 1CT : 1CT ±2%

CL @ 100kHz/100mVRMS

8mA DC BIAS 350µH MIN.

INSERTION LOSS

100KHz TO 100MHZ -1.5 dB MAX.

RETURN LOSS (MIN.)

2MHz-30MHz -16 dB MIN.

60MHz-80MHz -10 dB MIN.

CROSS TALK

100KHz - 100MHZ -30 dB MIN.

HIPOT (ISOLATION VOLTAGE)

2250 VDC

100% OF PRODUCTION TESTED TO COMPLY WITH IEEE 802.3 ISOLATION REQUIREMENTS.

BALANCED DC LINE CURRENT 350mA MAX. @ 57 VDC CONTINUOUS

LED 1 500mA MAX. @ 57 VDC FOR 200 MILLSECONDS

VF (FORWARD VOLTAGE) IF=20mA YELLOW 2.1V TYP.

λD (DOMINANT WAVELENGTH) IF=20mA YELLOW 590nm TYP.

LED 2

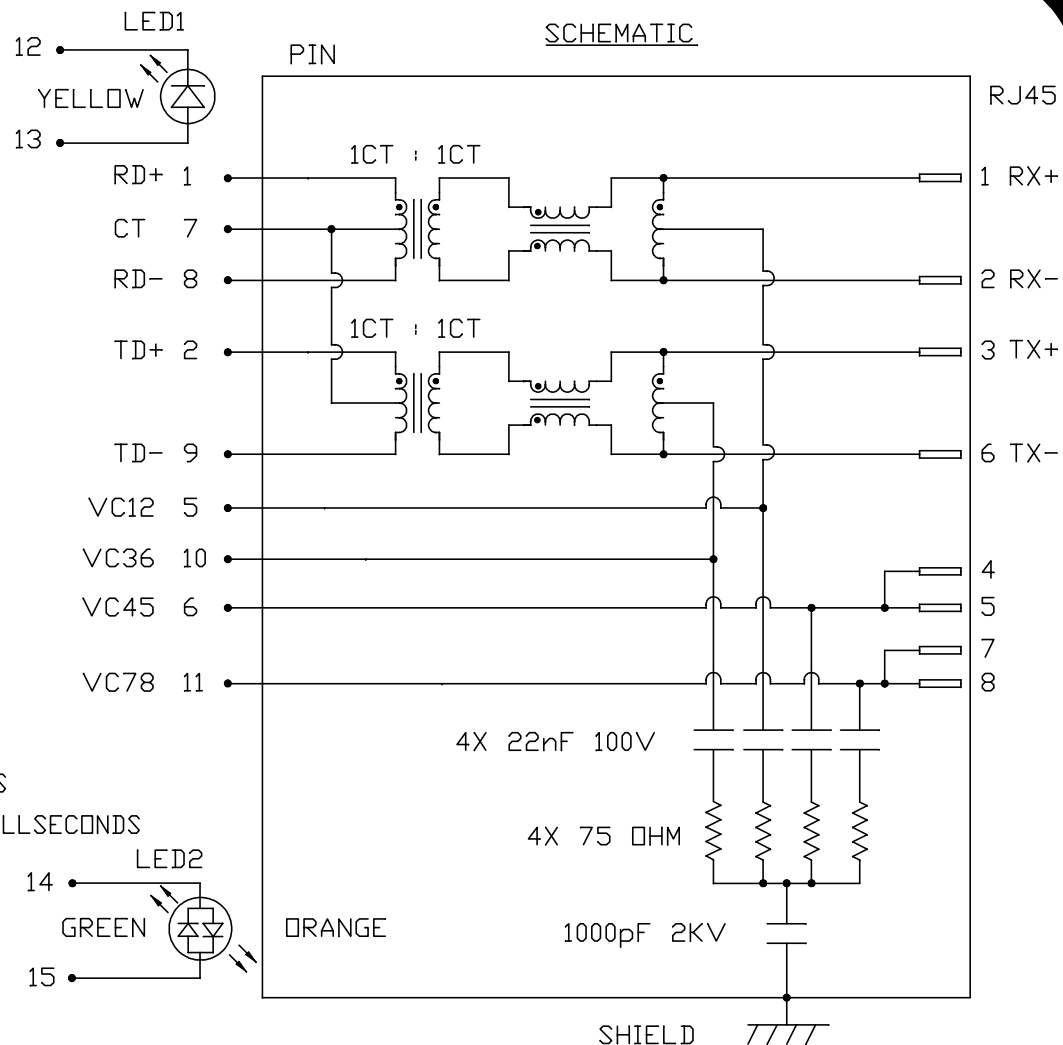
VF (FORWARD VOLTAGE) IF=20mA GREEN 2.2V TYP.

λD (DOMINANT WAVELENGTH) IF=20mA ORANGE 2.0V TYP.

λD (DOMINANT WAVELENGTH) IF=20mA GREEN 570nm TYP.

ORANGE 610nm TYP.

OPERATING TEMPERATURE: 0°C TO +70°C.



ORIGINATED BY CHOW WANCHUNG	TITLE 10/100 MagJack® (PoE, Tab Up) 0826-1X1T-57-F
DATE 2016-08-09	
DRAWN BY SKY YOU	
DATE 2016-08-09	

PART NO. / DRAWING NO. 08261X1T57-F	STANDARD DIM. TOL. IN INCH	[ ] METRIC DIM. AS REF.
FILE NAME 08261X1T57-F_F.DWG	.X	UNIT : INCH [mm]
	.XX	SCALE : N/A
	.XXX	SIZE : A4

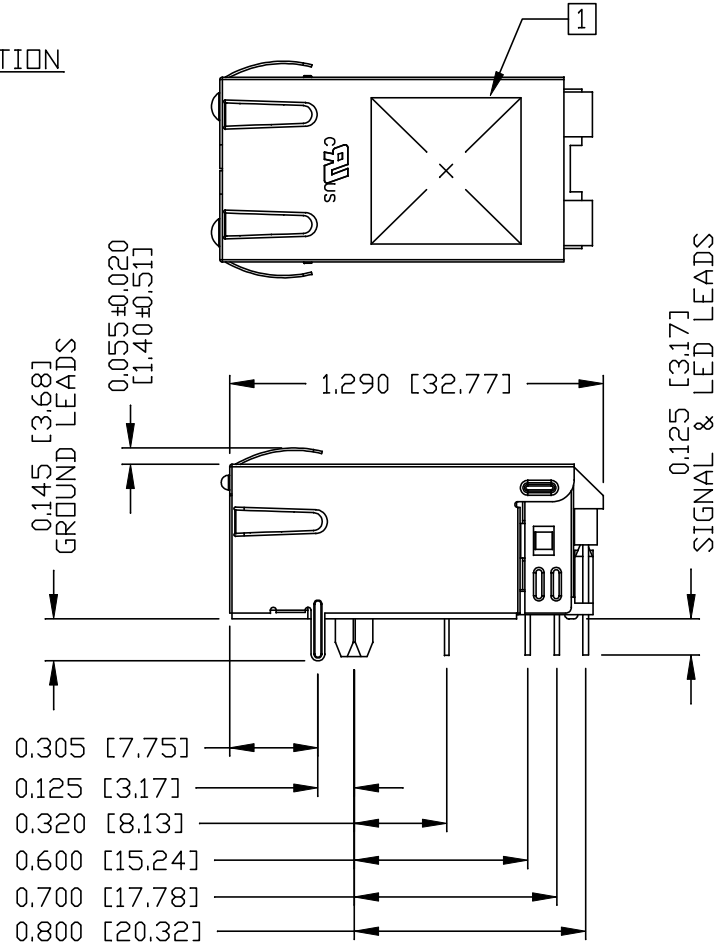
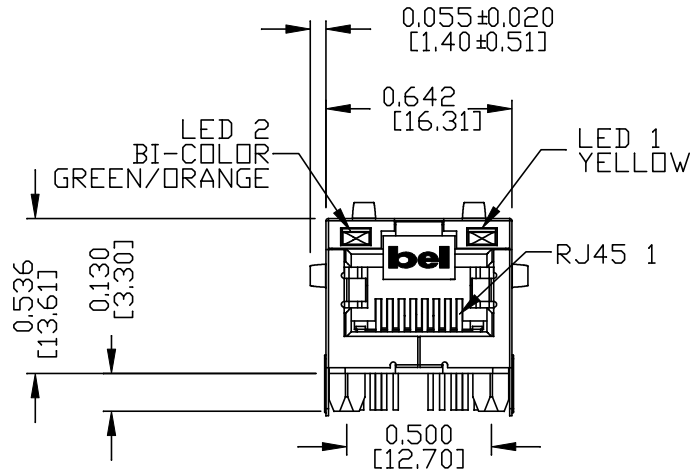
REV. : F PAGE : 2



THE INFORMATION CONTAINED HEREIN IS CONSIDERED "PROPRIETARY" TO BEL FUSE INC. AND SHALL NOT BE COPIED, REPRODUCED OR DISCLOSED WITHOUT THE WRITTEN APPROVAL OF BEL FUSE INC.

MECHANICAL SPECIFICATION

RoHS



NOTES:

- PLASTIC HOUSING: THERMOPLASTIC PA, BLACK  
FLAMMABILITY RATING UL 94V-0
- CONTACTS: 50 MICRO-INCH HARD GOLD PLATING OR EQUIVALENT.  
30 MICRO-INCH MIN NICKEL UNDERPLATE.
- OUTPUT PINS: TIN-COATED COPPER WIRE, DIA 0.018 INCH.  
100 MICRO-INCH MIN MATTE TIN. PINS ARE SOLDER DIPPED.
- METAL SHIELD: NICKEL PLATED ON COPPER ALLOY.

(ALL GROUND LEADS ARE SOLDER DIPPED)

1. MARK PART WITH MFG LOGO, MFG NAME, PART NUMBER, AND DATE CODE.

- 2. THE PRODUCT IS RoHS COMPLIANT.
- 3. JACK CAVITY CONFORMS TO FCC RULES AND REGULATIONS.
- 4. THE PART IS RECOMMENDED FOR WAVE SOLDERING. THE SUGGESTED PEAK WAVE SOLDERING CONDITION IS 260°C MAX AND 10 SECONDS MAX.

REV. :	F	PAGE :	3
--------	---	--------	---

ORIGINATED BY ANTON LIAO DATE 2016-08-09 DRAWN BY JESSE LI DATE 2016-08-09	TITLE 10/100 MagJack® (PoE, Tab Up) 0826-1X1T-57-F	PART NO. / DRAWING NO. 08261X1T57-F	STANDARD DIM. TOL. IN INCH	[ ] METRIC DIM. AS REF.
		FILE NAME 08261X1T57-F_F.DWG	.X	UNIT : INCH [mm]
			.XX	SCALE : N/A
			.XXX	±0.010



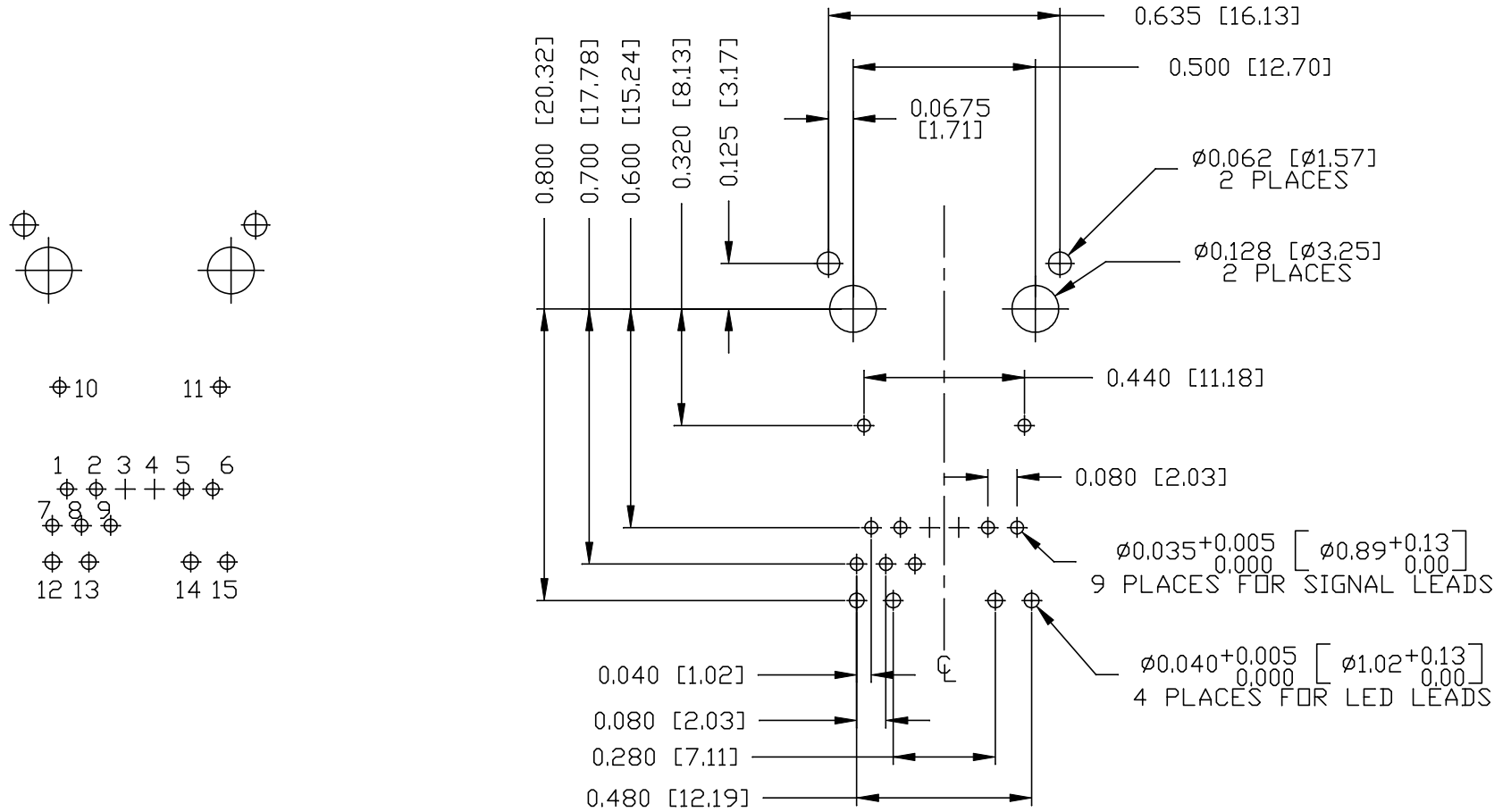
THE INFORMATION CONTAINED HEREIN IS CONSIDERED "PROPRIETARY" TO BEL FUSE INC. AND SHALL NOT BE COPIED, REPRODUCED OR DISCLOSED WITHOUT THE WRITTEN APPROVAL OF BEL FUSE INC.

RoHS



RECOMMENDED PCB FOOTPRINT

COMPONENT SIDE VIEW



ORIGINATED BY  
ANTON LIAO  
DATE 2016-08-09

DRAWN BY  
JESSE LI  
DATE 2016-08-09

TITLE  
10/100 MagJack®  
(PoE, Tab Up)  
0826-1X1T-57-F

PART NO. / DRAWING NO.  
08261X1T57-F

FILE NAME  
08261X1T57-F\_F.DWG

STANDARD DIM. TOL. IN INCH	[ ] METRIC DIM. AS REF.
.X	UNIT : INCH [mm]
.XX	SCALE : N/A
.XXX	±0.004

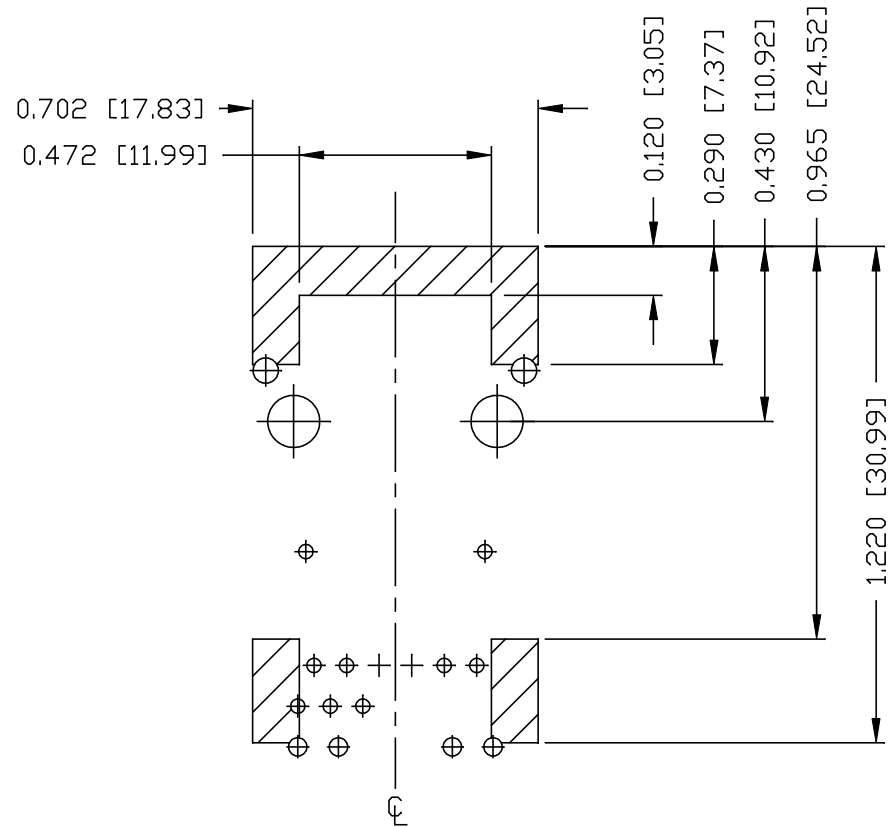
UNIT : INCH [mm]	SIZE : A4
------------------	-----------

REV. : F PAGE : 4



THE INFORMATION CONTAINED HEREIN IS CONSIDERED 'PROPRIETARY' TO BEL FUSE INC. AND SHALL NOT BE COPIED, REPRODUCED OR DISCLOSED WITHOUT THE WRITTEN APPROVAL OF BEL FUSE INC.

RoHS



NOTES

THE SHADED AREA ON THE CUSTOMER BOARD ARE RECOMMENDED TO BE CLEAR OFF ANY VIA HOLE OR COMPONENT PAD.

REV. :	F	PAGE :	5
--------	---	--------	---

ORIGINATED BY ANTON LIAO	TITLE 10/100 MagJack® (PoE, Tab Up) 0826-1X1T-57-F
DATE 2016-08-09	
DRAWN BY JESSE LI	
DATE 2016-08-09	

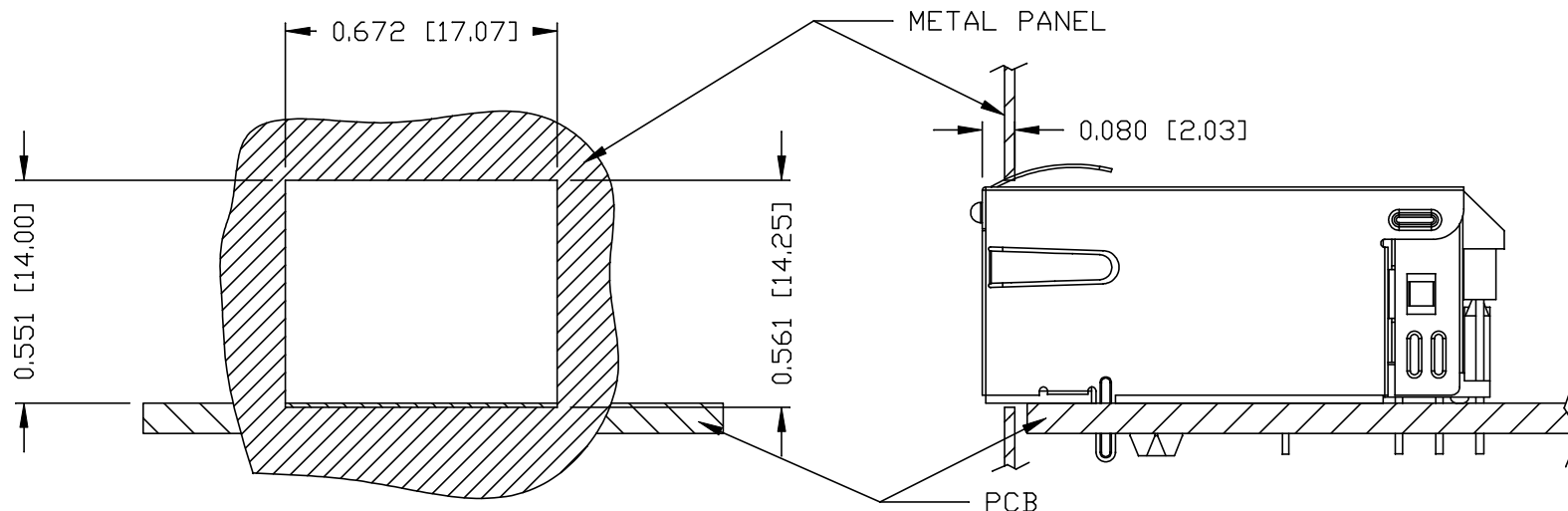
PART NO. / DRAWING NO. 08261X1T57-F	STANDARD DIM. TOL. IN INCH	[ ] METRIC DIM. AS REF.
FILE NAME 08261X1T57-F_F.DWG	.X /	UNIT : INCH [mm]
	.XX /	SCALE : N/A
	.XXX ±0.004	SIZE : A4



THE INFORMATION CONTAINED HEREIN IS CONSIDERED 'PROPRIETARY' TO BEL FUSE INC. AND SHALL NOT BE COPIED, REPRODUCED OR DISCLOSED WITHOUT THE WRITTEN APPROVAL OF BEL FUSE INC.

SUGGESTED PANEL OPENING

RoHS



NOTE:

THE DISTANCE OF PANEL INSIDE SURFACE RELATIVE TO FRONT SURFACE OF PART IS ONLY A SUGGESTION. IN CASE THIS DISTANCE IS DIFFERENT, THE REQUIRED PANEL OPENING DIMENSIONS CHANGE ACCORDINGLY.

PACKING INFORMATION

PACKING TRAY : 0200-9999-F6 (TOP)

0200-9999-F7 (BOTTOM)

PACKING QUANTITY : 40 PCS FINISHED GOODS PER TRAY

10 TRAYS (400 PCS FINISHED GOODS) PER CARTON BOX

NOTE : CARDBOARDS ARE PLACED BETWEEN LAYERS OF PACKING TRAY INSIDE CARTON BOX

(INCLUDE THE UPPERMOST AND LOWERMOST TRAY)

REV. :	F	PAGE :	6
--------	---	--------	---

<b>ORIGINATED BY</b> ANTON LIAO <b>DATE</b> 2016-08-09 <b>DRAWN BY</b> JESSE LI <b>DATE</b> 2016-08-09	<b>TITLE</b> 10/100 MagJack® (PoE, Tab Up) 0826-1X1T-57-F	<b>PART NO. / DRAWING NO.</b> 08261X1T57-F	<b>STANDARD DIM.</b> TOL. IN INCH .X	<input type="checkbox"/> METRIC DIM. AS REF.
		<b>FILE NAME</b> 08261X1T57-F_F.DWG	.XX	UNIT : INCH [mm]
			.XXX ±0.004	SCALE : N/A
				SIZE : A4

