

THE INFORMATION CONTAINED HEREIN IS CONSIDERED "PROPRIETARY" TO BEL FUSE INC. AND SHALL NOT BE COPIED, REPRODUCED OR DISCLOSED WITHOUT THE WRITTEN APPROVAL OF BEL FUSE INC.

LED 1 POLARITY			LED 2 POLARITY		
PIN 17	PIN 18	COLOR	PIN 19	PIN 20	COLOR
-	+	YELLOW	+	-	ORANGE
			-	+	GREEN

PRELIMINARY
SCHEMATIC



ELECTRICAL CHARACTERISTICS @ 25°C

URNS RATIO

TP1	1CT : 1CT ±2%
TP2	1CT : 1CT ±2%
TP3	1CT : 1CT ±2%
TP4	1CT : 1CT ±2%

OCL @ 100kHz/100mVRMS (4CHANNEL)

23mA DC BIAS 120µH MIN.

RET. LOSS (MIN)

1MHz-40MHz	-18 dB MIN
40MHz-250MHz	-18+10LOG10(f/40MHz) dB MIN

CM TO CM REJ

100kHz - 100MHz -30 dB MIN

CM TO DM REJ

100kHz - 100MHz -35 dB MIN

HIPOT (Isolation Voltage):

2250 VDC
100% OF PRODUCTION TESTED TO COMPLY
WITH IEEE 802.3 ISOLATION REQUIREMENTS

BALANCED DC LINE CURRENT

1A MAX, CONTINUOUS
1.2A MAX, FOR 200 MILLISECONDS

OPERATING TEMPERATURE:

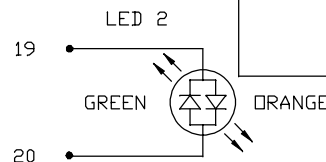
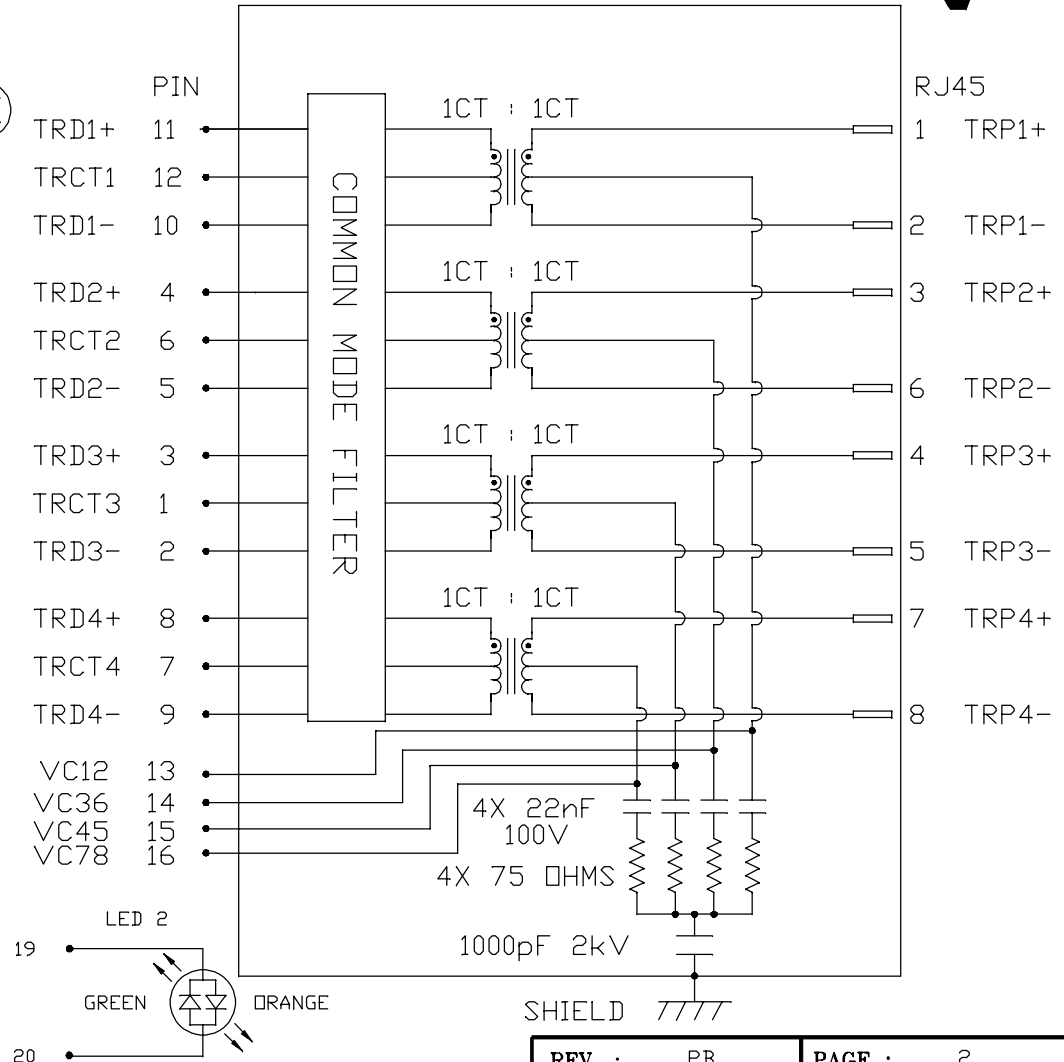
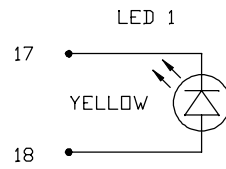
-40°C TO 100°C

LED 1

VF (FORWARD VOLTAGE) IF=20mA YELLOW 2.1V TYP.
λD (DOMINANT WAVELENGTH) IF=20mA YELLOW 590nm TYP.

LED 2

VF (FORWARD VOLTAGE) IF=20mA GREEN 2.2V TYP.
ORANGE 2.0V TYP.
λD (DOMINANT WAVELENGTH) IF=20mA GREEN 570nm TYP.
ORANGE 605nm TYP.



REV. : PB PAGE : 2

ORIGINATED BY
CHOW WANGCHUNG
DATE 2019-03-29
DRAWN BY
XIE YIMING
DATE 2019-03-29

TITLE
5 Gigabit MagJack®
(4PPoE, 100W, Extended Temp.)
0826-1X1T-KL-F
PATENTED

PART NO. / DRAWING NO.
08261X1TKL-F
FILE NAME
08261X1TKL-F_PB.DWG

STANDARD DIM.
TOL. IN INCH
[] METRIC DIM.
AS REF.
UNIT : INCH [mm]
SCALE : N/A
SIZE : A4

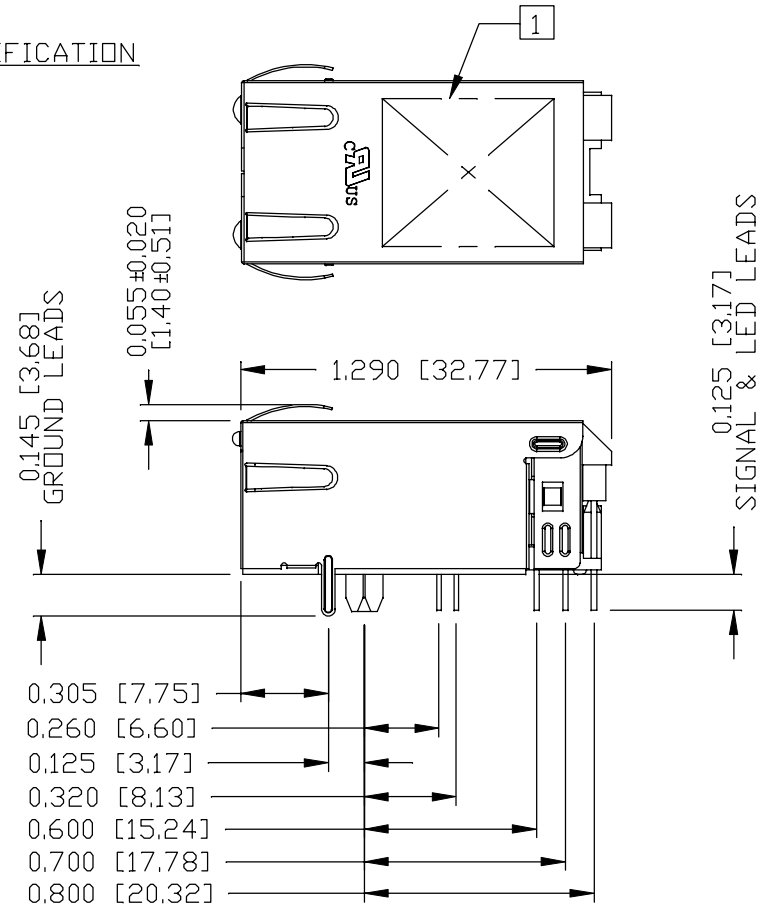
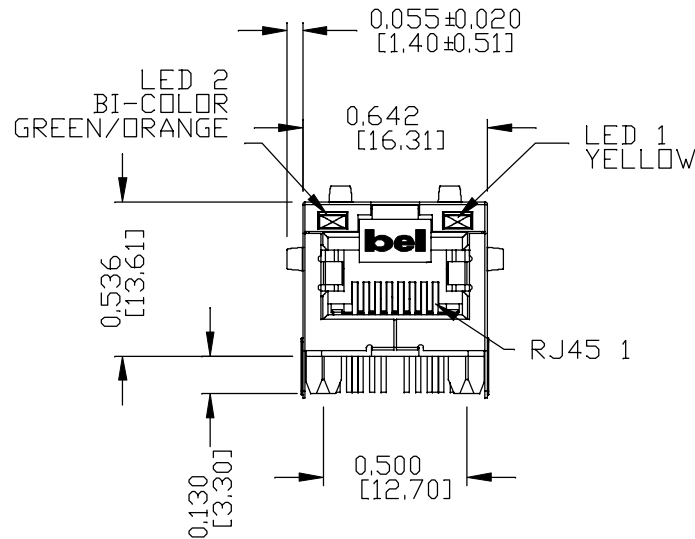


THE INFORMATION CONTAINED HEREIN IS CONSIDERED "PROPRIETARY" TO BEL FUSE INC. AND SHALL NOT BE COPIED, REPRODUCED OR DISCLOSED WITHOUT THE WRITTEN APPROVAL OF BEL FUSE INC.

PRELIMINARY

MECHANICAL SPECIFICATION

RoHS



NOTES:

- PLASTIC HOUSING: THERMOPLASTIC PA, BLACK
FLAMMABILITY RATING UL 94V-0
- CONTACTS: 50 MICRO-INCH HARD GOLD PLATING OR EQUIVALENT.
- OUTPUT PINS: TIN-COATED COPPER WIRE, DIA 0.018 INCH.
100 MICRO-INCH MIN MATTE TIN. PINS ARE SOLDER DIPPED.
- METAL SHIELD: NICKEL PLATED ON COPPER ALLOY.
(ALL GROUND LEADS ARE SOLDER DIPPED)

1. MARK PART WITH MFG LOGO, MFG NAME, PART NUMBER, DATE CODE AND PATENTED.

- UL RECOGNIZED - FILE #E196366 AND E169987.
- 2. THE PRODUCT IS RoHS COMPLIANT.

- 3. JACK CAVITY CONFORMS TO FCC RULES AND REGULATIONS.
- 4. THE PRODUCT IS PATENTED, THE PATENT NUMBER IS U.S. PAT. 7,123,117.
- 5. THE PART IS RECOMMENDED FOR WAVE SOLDERING, THE SUGGESTED PEAK WAVE SOLDERING CONDITION IS 260°C MAX. AND 10 SECONDS MAX..

ORIGINATED BY
ANTON LIAO
DATE 2019-03-29
DRAWN BY
SANDY LIN
DATE 2019-03-29

TITLE
5 gigabit MagJack®
(4PPoE, 100W, Extended Temp.)
0826-1X1T-KL-F
PATENTED

PART NO. / DRAWING NO.
08261X1TKL-F
FILE NAME
08261X1TKL-F_PB.DWG

STANDARD DIM. TOL. IN INCH	[] METRIC DIM. AS REF.
.X	UNIT : INCH [mm]
.XX	SCALE : N/A
.XXX	SIZE : A4
±0.010	

REV. : PB PAGE : 3



THE INFORMATION CONTAINED HEREIN IS CONSIDERED 'PROPRIETARY' TO BEL FUSE INC. AND SHALL NOT BE COPIED, REPRODUCED OR DISCLOSED WITHOUT THE WRITTEN APPROVAL OF BEL FUSE INC.

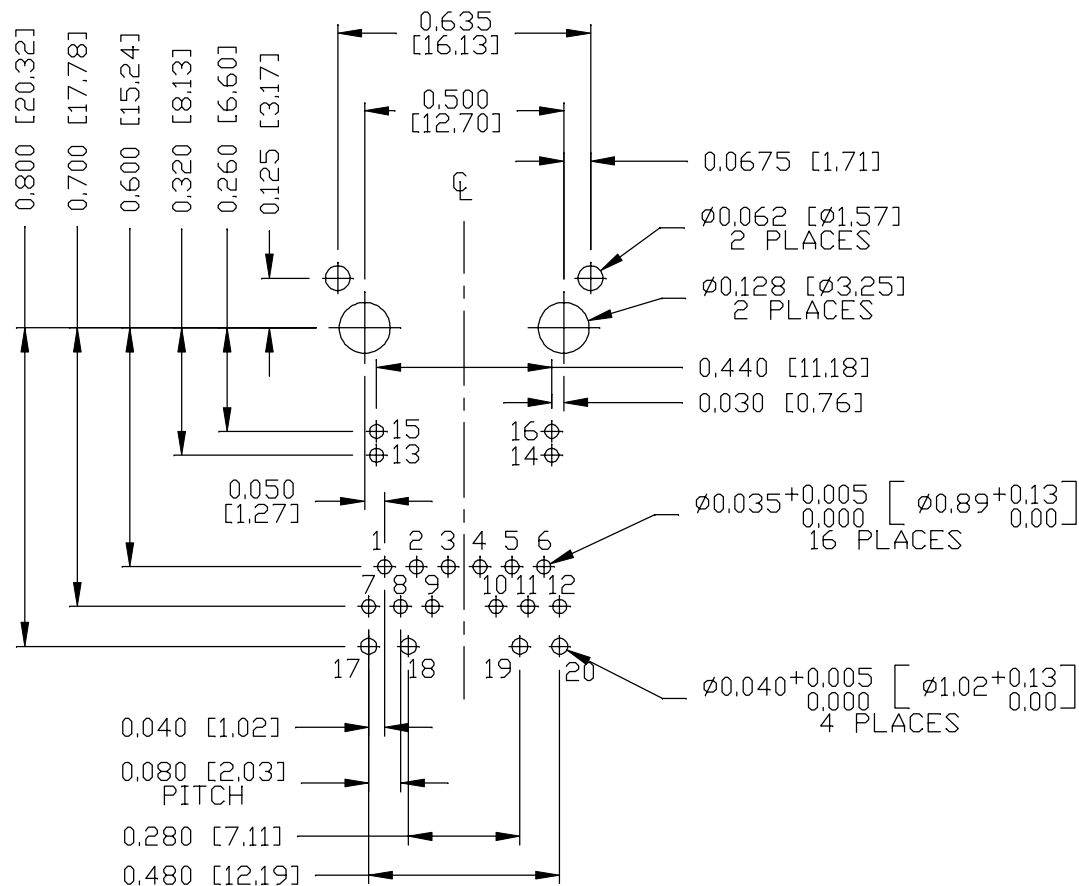
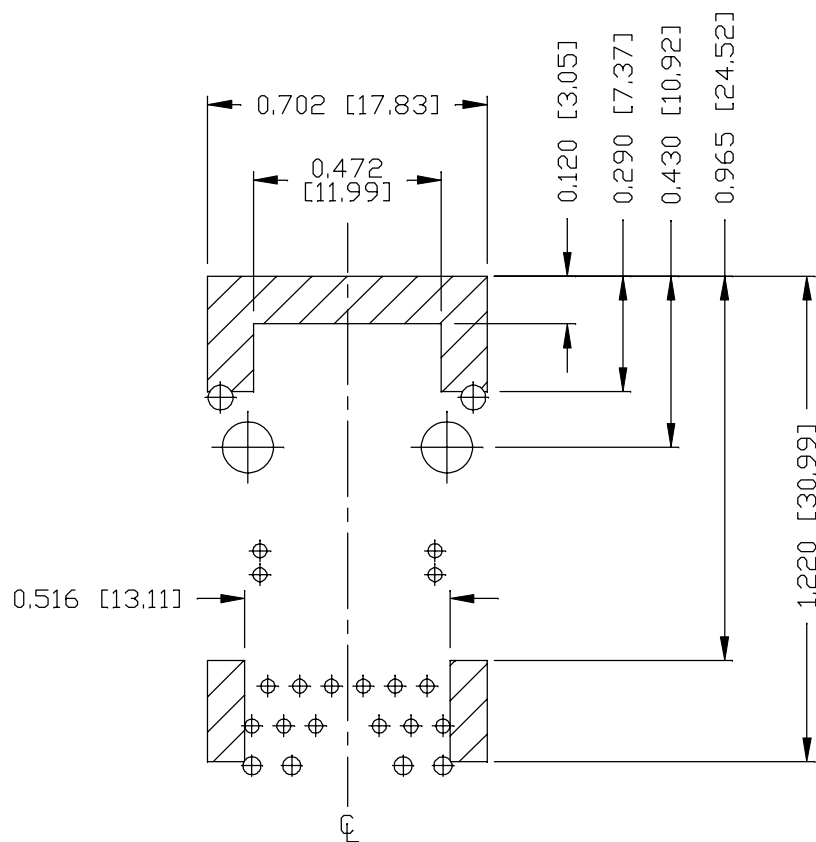
PRELIMINARY

RoHS



RECOMMENDED PCB FOOTPRINT

COMPONENT SIDE VIEW



NOTES

THE SHADED AREA ON THE CUSTOMER BOARD ARE RECOMMENDED TO BE CLEAR OFF ANY VIA HOLE OR COMPONENT PAD.

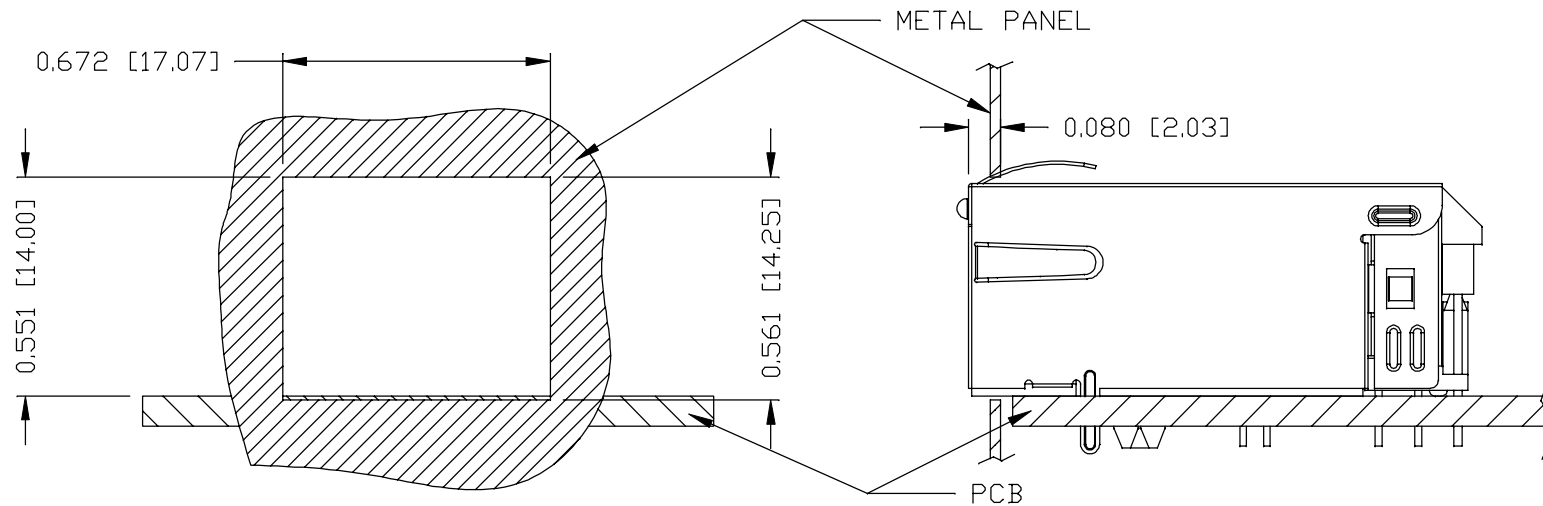
REV. :	PB	PAGE :	4

ORIGINATED BY ANTON LIAO DATE 2019-03-29	TITLE 5 glgabit MagJack® (4PPoE, 100W, Extended Temp.) 0826-1X1T-KL-F PATENTED	PART NO. / DRAWING NO. 08261X1TKL-F FILE NAME 08261X1TKL-F_PB.DWG	STANDARD DIM. TOL. IN INCH .X .XX .XXX ±0.004	[] METRIC DIM. AS REF. UNIT : INCH [mm] SCALE : N/A SIZE : A4
--	---	--	---	--

THE INFORMATION CONTAINED HEREIN IS CONSIDERED 'PROPRIETARY' TO BEL FUSE INC. AND SHALL NOT BE COPIED, REPRODUCED OR DISCLOSED WITHOUT THE WRITTEN APPROVAL OF BEL FUSE INC.

SUGGESTED PANEL OPENING

PRELIMINARY



NOTE:

THE DISTANCE OF PANEL INSIDE SURFACE RELATIVE TO FRONT SURFACE OF PART IS ONLY A SUGGESTION. IN CASE THIS DISTANCE IS DIFFERENT, THE REQUIRED PANEL OPENING DIMENSIONS CHANGE ACCORDINGLY.

PACKING INFORMATION

PACKING TRAY : 0200-9999-F6 (TOP)

0200-9999-F7 (BOTTOM)

PACKING QUANTITY : 40 PCS FINISHED GOODS PER TRAY

10 TRAYS (400 PCS FINISHED GOODS) PER CARTON BOX

NOTE : CARDBOARDS ARE PLACED BETWEEN LAYERS OF PACKING TRAY INSIDE CARTON BOX

(INCLUDE THE UPPERMOST AND LOWERMOST TRAY)

REV. : PB PAGE : 5

ORIGINATED BY ANTON LIAO DATE 2019-03-29	TITLE 5 glgabit MagJack® (4PPoE, 100W, Extended Temp.) 0826-1X1T-KL-F PATENTED	PART NO. / DRAWING NO. 08261X1TKL-F FILE NAME 08261X1TKL-F_PB.DWG	STANDARD DIM. [] METRIC DIM. TOL. IN INCH AS REF.		
			.X	UNIT : INCH [mm]	
			.XX	SCALE : N/A	
DRAWN BY SANDY LIN DATE 2019-03-29			.XXX	±0.005	SIZE : A4

