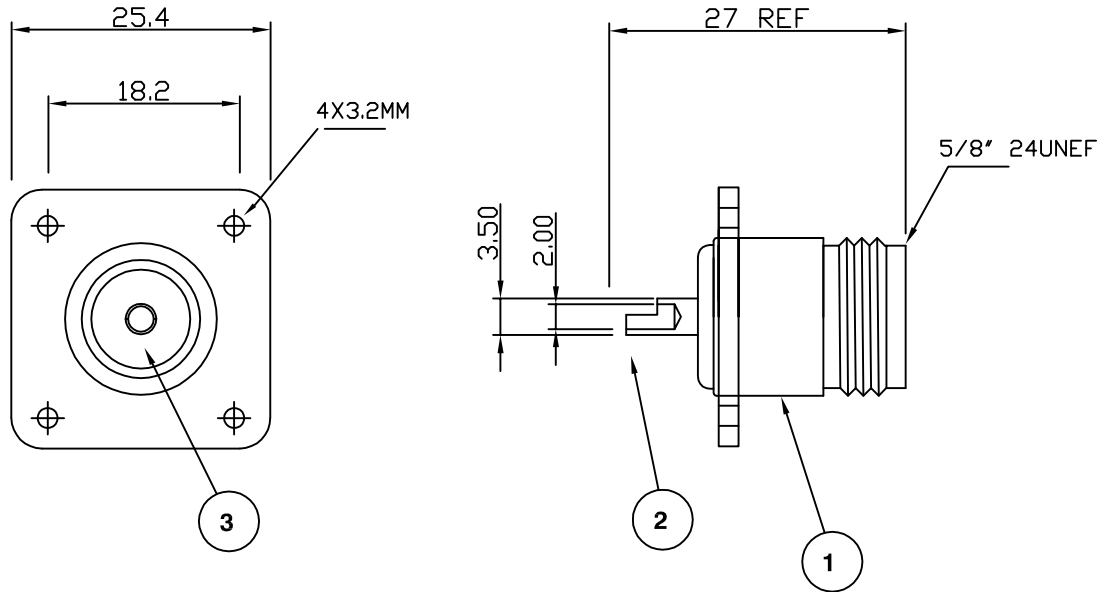


RoHS COMPLIANT



Electrical Characteristics

Nominal Impedance: 50 ohms
 Frequency Range: DC to 11 GHz
 Operating Voltage(rms): 1500 V Maximum at sea level
 Dielectric Withstand Voltage(rms): 2500 V Maximum at sea level
 Contact Resistance: 1.0 Milliohms Maximum
 Insulation Resistance: 5000 megohms Minimum

Mechanical Characteristics

Mating Cycles: 500 cycles (subject to cable)
 Interface Dimensions: Conform to MIL-C-39012

Environmental

Temperature Range: -55°C to +85°C

RoHS Compliant

PART	DESCRIPTION
1	Body Brass, Nickel plated
2	Contact Gold Plated Brass
3	Dielectric POM

Dimension Update	JC	3	12 Aug 13
Address & RoHS Update	JT	2	25 Mar 10
First Issue	BT	1	22 Sep 08
DESCRIPTION OF REVISION	APPVD	ISS	DATE



Cinch Connectivity Solutions
 11 Bilton Way,
 Chelmsford, Essex,
 CM1 2UP, UK.
 Tel: +44 (0) 1245 359515
 Fax: +44 (0) 1245 358938

SCALE: Not To Scale

DIMENSIONS: mm

TOLERANCES:
 ± 0.2mm unless
 otherwise stated

DRAWN BY:

B Thomas

CHECKED BY:

K Ager

APPROVED BY:

K Ager

DATE:

22 Sep 08

TITLE:

N-Type Female Flange
 Jack

PART NUMBER:

VN511

PAGE: 1 of 1