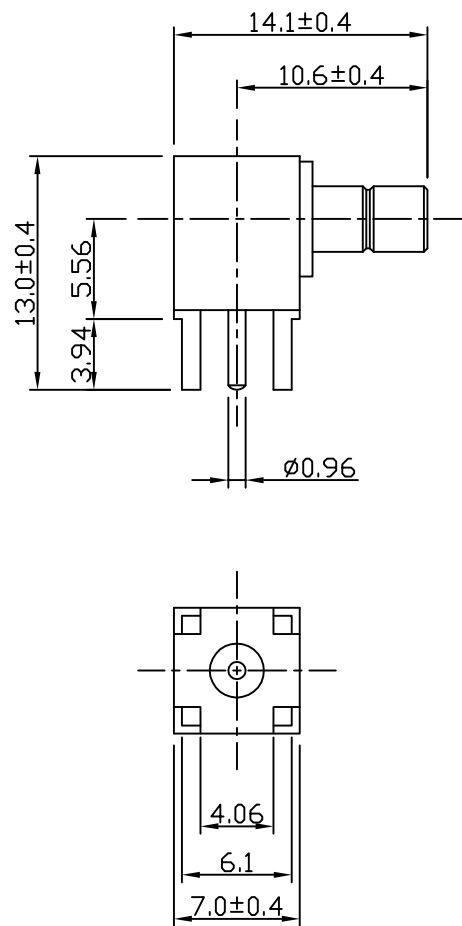


RoHS COMPLIANT



Electrical Characteristics

Nominal Impedance: 50 ohms
 Frequency Range: DC to 4 GHz
 Operating Voltage (rms): 335 V maximum at sea level
 Dielectric Withstand Voltage (rms): 1000 V maximum at sea level
 Contact Resistance: 3.0 milliohms maximum
 Insulation Resistance: 1000 megohms minimum

Mechanical Characteristics

Mating Cycles: 500 cycles minimum
 Interface Dimensions: Conform to MIL-C-39012

Environmental Characteristics

Temperature Range: -65 °C to +165 °C

	PART	DESCRIPTION
1	Body	Brass, gold plated
2	Dielectric	PTFE
3	Contact	Brass, gold plated

PCB Layout: PC5-12

CAD Issue	SN	2	24 Apr 03
First Issue	AT	1	24 Sep 96
DESCRIPTION OF REVISION	APPVD	ISS	DATE



Cinch Connectivity Solutions
 7-13 Russel Way,
 Widford Industrial Estate,
 Chelmsford, Essex,
 CM1 3AA, UK.
 Tel: +44 (0) 1245 359515
 Fax: +44 (0) 1245 358938

SCALE: Not To Scale

DIMENSIONS: mm

TOLERANCES:
 ± 0.2mm unless
 otherwise stated

DRAWN BY:

S Nash

CHECKED BY:

P Couzens

APPROVED BY:

P Couzens

DATE:

24 Apr 03

TITLE:

SMB Right Angle PCB
 Mount Jack

PART NUMBER:

VMB324

PAGE: 1 of 1