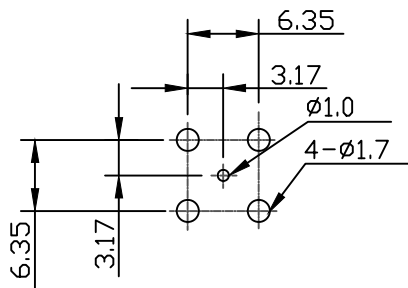
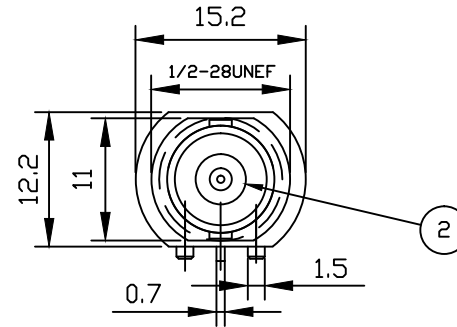
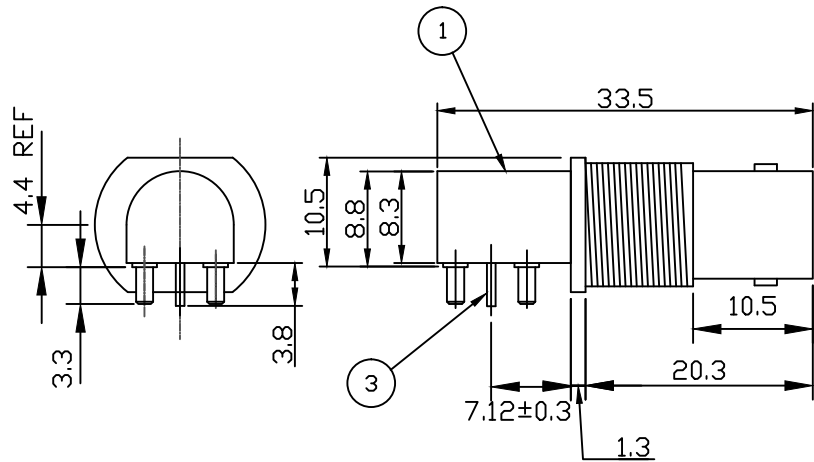
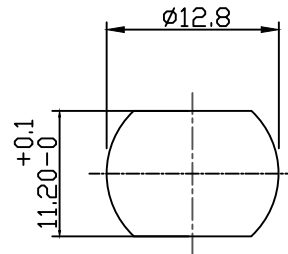


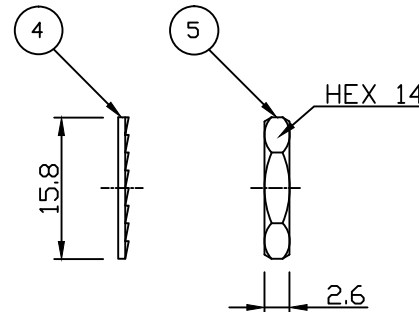
RoHS COMPLIANT



RECOMMENDED PCB LAYOUT



RECOMMENDED PANEL CUTOUT



**Electrical Characteristics**

Nominal Impedance:	75 ohms
Frequency Range:	DC to 1.5 GHz
VSWR:	1.3:1 maximum
Insertion Loss:	0.2 dB at 1 GHz
Operating Voltage (rms):	500 V maximum at sea level
Dielectric Withstand Voltage (rms):	1000 V maximum at sea level
Contact Resistance:	3.0 milliohms maximum
Insulation Resistance:	5000 megohms minimum
Current Rating	3 Amps maximum

**Mechanical Characteristics**

Mating Cycles:	100 cycles minimum
----------------	--------------------

**Environmental Characteristics**

Temperature Range:	-50 °C to +120 °C
--------------------	-------------------

REF.	DESCRIPTION	MATERIAL	PLATING
1	Shell	Zinc Alloy	Nickel
2	Insulator	PP	
3	Socket Contact	Phosphor Bronze	Gold
4	Lock Washer	Iron	Nickel
5	Hex Nut	Brass	Nickel

DESCRIPTION OF REVISION	APPVD	ISS	DATE
Dim / Info Updates - ECN D17472	MS	13	04 May 21
Lug Orientation rotated 90 degrees	JC	12	09 Nov 15
ECN 2015-003	JC	11	27 May 15
Complete Update	JT	10	03 Mar 10
Panel Cutout Updated	BT	9	7 Aug 08
Complete Update	KA	8	13 Mar 08
Frequency range corrected	JW	7	10 Apr 06
Dimensions corrected	SN	6	08 Dec 03
CAD Issue	RCS	5	10 Jun 02
Dimension added (Flange to Pin)	PDC	4	19 Apr 01
Dimensions Changed	PDC	3	28 Jan 00
Dimensions Changed	DJH	2	07 Dec 99
First Issue	AT	1	11 Apr 99



CINCH CONNECTIVITY SOLUTIONS  
11 Bilton Road,  
Chelmsford, Essex,  
CM1 2UP, UK.  
Tel: +44 (0) 1245 359515  
Fax: +44 (0) 1245 358938

SCALE: Not To Scale  
DIMENSIONS: mm  
TOLERANCES:  
± 0.2mm unless  
otherwise stated

DRAWN BY: S Nash  
CHECKED BY: J Cracknell  
APPROVED BY: M Spooner  
DATE: 07 Jun 04

TITLE:  
**Shielded BNC PCB Mount  
R/A Jack (75 Ohm)**

PART NUMBER:  
**VBM511-75**

PAGE: 1 of 1