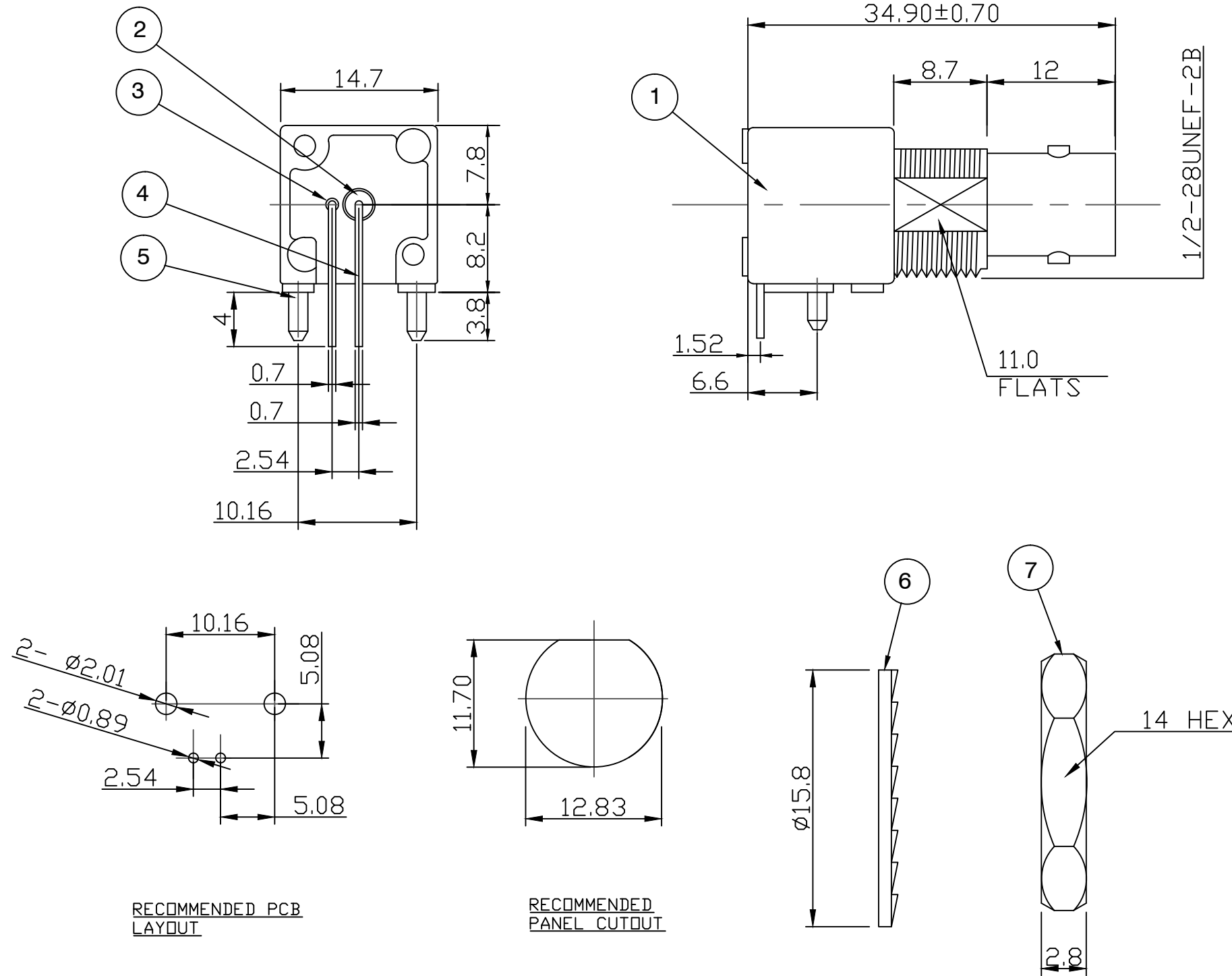


RoHS COMPLIANT



Electrical Characteristics

Nominal Impedance:	50 ohms
Frequency Range:	DC to 2 GHz
VSWR:	2:1 maximum
Operating Voltage (rms):	500 V maximum at sea level
Dielectric Withstand Voltage (rms):	1500 V maximum at sea level
Contact Resistance:	3.0 milliohms maximum
Insulation Resistance:	5000 megohms minimum

Mechanical Characteristics

Mating Cycles:	500 cycles minimum
----------------	--------------------

Environmental Characteristics

Temperature Range:	-65 °C to +180 °C
--------------------	-------------------

REF.	DESCRIPTION	MATERIAL	PLATING
1	Body	Zinc Alloy	Nickel
2	Insulator	PTFE	
3	Ground Terminal	Brass	Tin
4	Socket Contact	Phosphor/Bronze	Gold/Tin
5	Mount Post	Brass	Tin >5 Microns
6	Lock Washer	Iron	Nickel
7	Hex Nut	Brass	Nickel

DESCRIPTION OF REVISION	APPVD	ISS	DATE
Dimension updates - ECN D17509	MS	8	21 Oct 21
Freq range and contact position update	JC	7	05 Jan 16
ECN 2015-012	JC	6	19 Nov 15
Pannel Cut Out Updated	LB	5	15 Oct 09
Complete Update	KA	4	17 Mar 08
CAD Issue	SN	3	05 Feb 02
Mil spec added	DH	2	05 Aug 98
First Issue	DH	1	11 Feb 98



CINCH CONNECTIVITY SOLUTIONS
 11 Bilton Road,
 Chelmsford, Essex,
 CM1 2UP, UK.
 Tel: +44 (0) 1245 359515
 Fax: +44 (0) 1245 358938

SCALE: Not To Scale
 DIMENSIONS: mm
 TOLERANCES:
 ± 0.2mm unless
 otherwise stated

DRAWN BY: S Nash
 CHECKED BY: S Nash
 APPROVED BY: M Nielsen
 DATE: 05 Feb 02

TITLE:
BNC Right Angle PCB Mount Jack

PART NUMBER:
VBM201

PAGE: 1 of 1