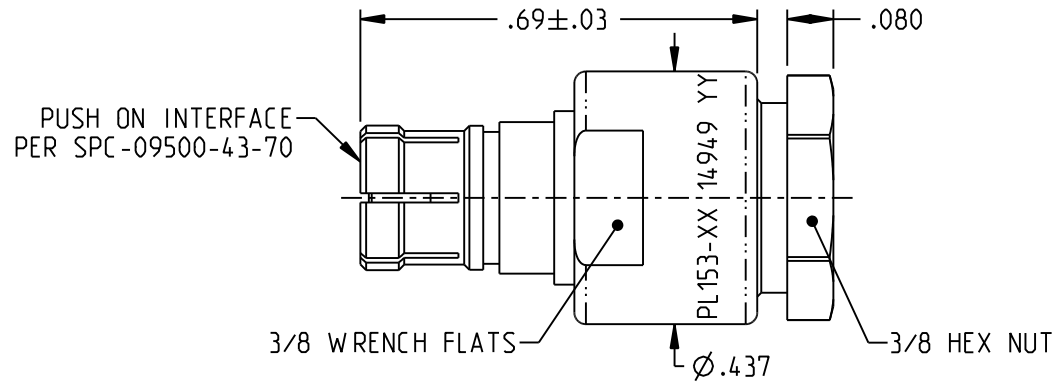
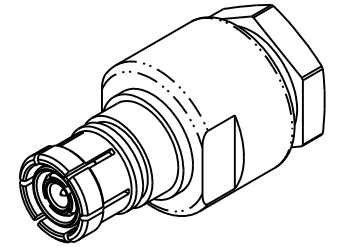


MODEL NO.	CABLES ACCOMMODATED	ASSEMBLE PER
PL153-23	250-3884, MICRODOT 275-3930, MICRODOT	TAI-127
PL153-24	202-3934, MICRODOT	TAI-125
PL153-24A	9530A5117, RAYCHEM	TAI-127
PL153-27	T19TPSJ2619EM, WOVEN 202-3927, MICRODOT 202-3942, MICRODOT	TAI-125
PL153-29	TWC-78-1 TWC-124-1A	
PL153-30	761A, ATXX 8441, BELDEN	
PL153-32	TRC-50-1	TAI-127
PL153-33	TRC-75-1	
PL153-43	250-4044, MICRODOT 250-4045, MICRODOT 293-3930, MICRODOT	TAI-174
PL153-45	M27500-22TE2T14 1100-66F, MICRODOT 10602, RAYCHEM	TAI-125
PL153-47	M17/176-00002	
PL153-49	TWAC-78-1F2	
PL153-56	GC875GC1, GRUMMAN	TAI-174
PL153-57	GC875GB1, GRUMMAN	
PL153-58	GC875TM24H, GRUMMAN	TAI-125



PL153-23 SHOWN

NOTES: UNLESS OTHERWISE SPECIFIED:

1. MATERIAL & FINISH:

- 1.1 BODY: NICKEL PLATED BERYLLIUM COPPER
- 1.2 INSULATOR & DIELECTRIC: PTFE (TEFLON)
- 1.3 INTERMEDIATE CONTACT: GOLD PLATED BERYLLIUM COPPER
- 1.4 CENTER CONTACT: GOLD PLATED BRASS

2. ELECTRICAL:

- 2.1 FREQUENCY (MAX): 500 MHz
- 2.2 IMPEDANCE: NON-CONSTANT

		<h1>TROMPETER</h1>	
	RoHS2 <input checked="" type="checkbox"/> 2015/863/EU	Title: PUSH ON PLUG, TRS/TTM, WRENCH CRIMP	
<small>NOTICE: The information in this drawing is PROPRIETARY and must not be used without the permission of Cinch Connectivity Solutions. It may contain data whose export is restricted. Verify status prior to exporting.</small>	<small>UNLESS OTHERWISE SPECIFIED UNITS: INCH</small>	Model No. PL153-XX	
<small>INTERPRET DRAWING IN ACCORDANCE WITH ASME Y14.5-2018</small>	.XX ±.02 .XXX ±.010 ANGLES ±2°	Size A DO NOT SCALE DRAWING	Date: 8/30/2022 Sheet 1 OF 1