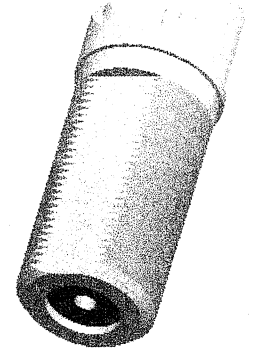


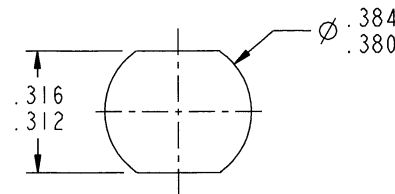
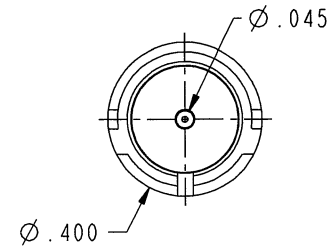
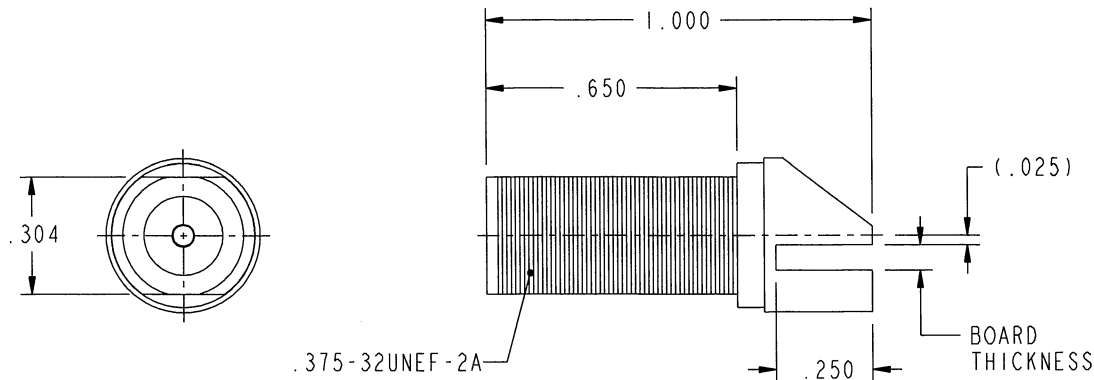
DASH NO	BOARD THICKNESS
-1	.060 - .064
-2	.028 - .033
-3	.090 - .094

DATA CONTAINED IN THIS DOCUMENT IS PROPRIETARY TO TROMPETER ELECTRONICS INC. AND SHALL NOT BE DISCLOSED, COPIED OR USED FOR PROCUREMENT OR MANUFACTURE WITHOUT EXPRESS WRITTEN PERMISSION.

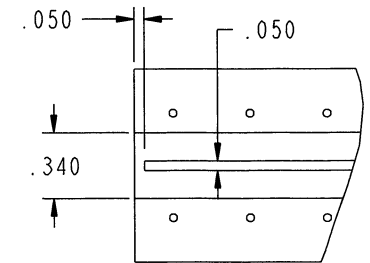
REVISIONS			
REV	DESCRIPTIONS	DATE	APPROVED
F	REVISED PER ECO 16721	8/13/00	<i>M.J.</i>



SCALE 2/1



RECOMMENDED CUT-OUT



RECOMMENDED PCB LAYOUT

3. EXAMPLE OF A COMPLETE MODEL NO.

CBJE130 -1

MODEL DASH NO (SEE TABLE)

2. FINISH: BODY: GOLD
CONTACT: GOLD

1. CIRCUIT BOARD EDGE MOUNT
"F" STYLE FEMALE JACK

NOTES: UNLESS OTHERWISE SPECIFIED.

INTERPRET DRAWING PER MIL-STD-100. DIMENSIONS ARE IN INCHES AND INCLUDE FINISH THICKNESS UNLESS OTHERWISE SPECIFIED.		TOL: UNLESS SPECIFIED. .XX ± .02 .XXX ± .010 ANGLE ± 1°			
DRN J. CARPENTER	08-04-08	MATERIAL:	TITLE: CBJE130		
CHK <i>M.J.</i>	8-11-08	FINISH:	SIZE A	CAGE CODE 14949	DRAWING NO. 1-0579
MANUF			REV. F		
APPROVED <i>Zm</i>	8-12-08	DO NOT SCALE DWG	DATE 8-3-01	SHEET 1C	
NEXT ASSY	PROJ/ FILE NO. 1-0579				