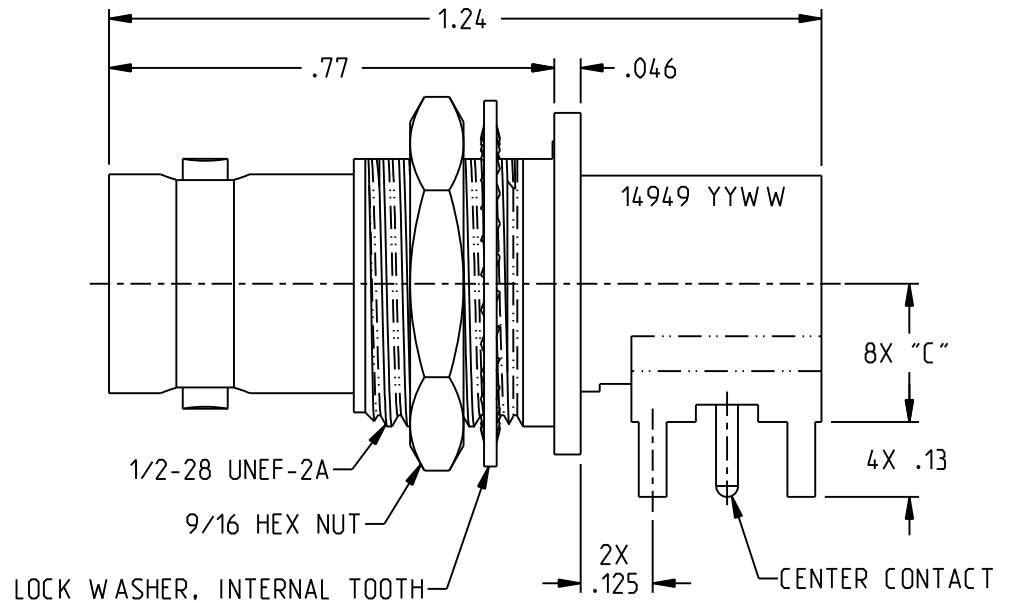
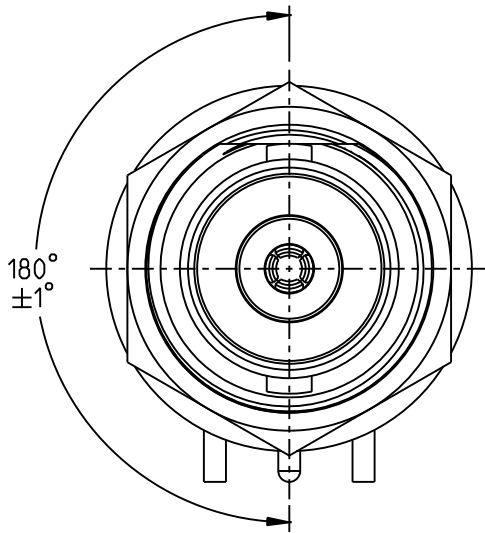


MODEL NUMBER	INTERFACE SPEC	IMPED (OHMS)	Ø "A"	Ø "B"	"C"
CBBJR29	MIL-STD-348, FIG. 301-2	50	.046	.062	.24
UCBBJR29	MIL-STD-348, FIG. 330-1	75	.029		
CBBJR29A	MIL-STD-348, FIG. 301-2	50	.046	.070	.34
UCBBJR29A	MIL-STD-348, FIG. 330-1	75	.029		



NOTES: UNLESS OTHERWISE SPECIFIED.

1. MATERIALS AND FINISH:

- 1.1 BODY: TIN PLATED BRASS
- 1.2 INSULATOR & DIELECTRIC: PTFE (TEFLON)
- 1.3 CENTER CONTACT: GOLD PLATED BERYLLIUM COPPER
- 1.4 MOUNTING HARDWARE: TIN PLATED COPPER ALLOY

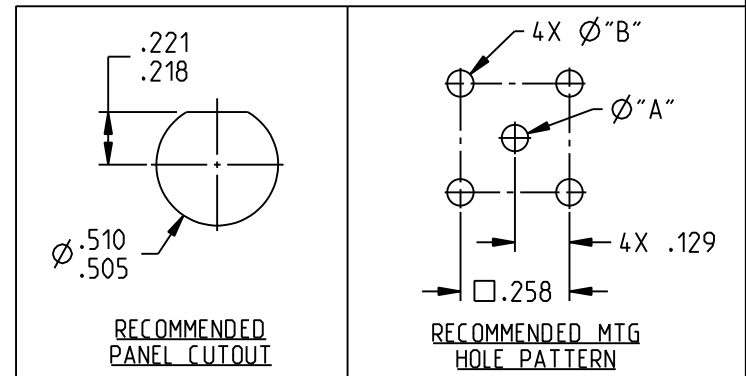
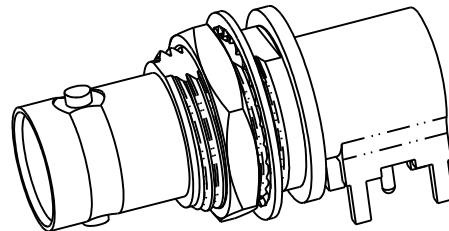
2. ELECTRICAL:

- 2.1 IMPEDANCE: SEE TABLE
- 2.2 FREQUENCY (MAX): 500 MHz

3. PANEL THICKNESS (MAX): .125

4. PANEL NUT TORQUE (MAX): 35 INCH POUNDS

CBBJR29 SHOWN



		TROMPETER	
	RoHS2 <input checked="" type="checkbox"/> 2011/65/EU	Title: BNC BULKHEAD JACK, RIGHT ANGLE PCB MOUNT	
<small>UNLESS OTHERWISE SPECIFIED UNITS: INCH</small>		Model No. XCBBJR29X	
<small>INTERPRET DRAWING IN ACCORDANCE WITH ASME Y14.5-2009.</small>	Size A	DO NOT SCALE DRAWING	Date: 8/19/2021 Sheet 1 OF 1