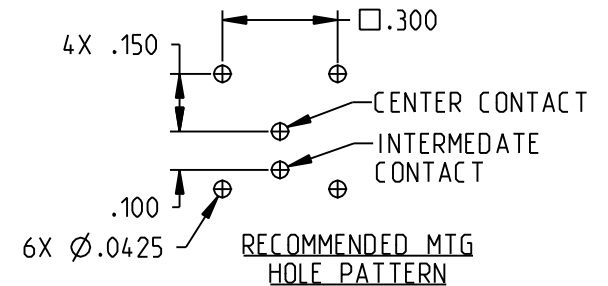
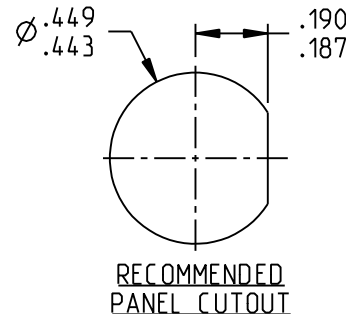


NOTES: UNLESS OTHERWISE SPECIFIED:

1. MATERIAL & FINISH:
  - 1.1 BODY: NICKEL PLATED BRASS
  - 1.2 PC MOUNTING LEG: TIN PLATED BRASS
  - 1.3 INSULATOR & DIELECTRIC: PTFE (TEFLON)
  - 1.4 INTERMEDIATE CONTACT: GOLD PLATED BRASS
  - 1.5 CENTER CONTACT: GOLD PLATED BERYLLIUM COPPER
  - 1.6 MOUNTING HARDWARE: NICKEL PLATED COPPER ALLOY
2. ELECTRICAL:
  - 2.1 FREQUENCY (MAX): 500 MHz
  - 2.2 IMPEDANCE: NON-CONSTANT
3. PANEL NUT TORQUE (MAX): 30 INCH POUNDS
4. PANEL THICKNESS (MAX): .250



	3RD ANGLE PROJECTION 	<b>TROMPETER</b>	
	RoHS2 <input checked="" type="checkbox"/> 2015/863/EU	Title: TRS BULKHEAD CIRCUIT BOARD JACK	
NOTICE: The information in this drawing is PROPRIETARY and must not be used without the permission of Cinch Connectivity Solutions. It may contain data whose export is restricted. Verify status prior to exporting. INTERPRET DRAWING IN ACCORDANCE WITH ASME Y14.5-2018		Model No. CBBJ159	Date: 8/25/2021
UNLESS OTHERWISE SPECIFIED UNITS: INCH .XX ±.02 .XXX ±.010 ANGLES ±2°	Size A	DO NOT SCALE DRAWING	Sheet 1 OF 1