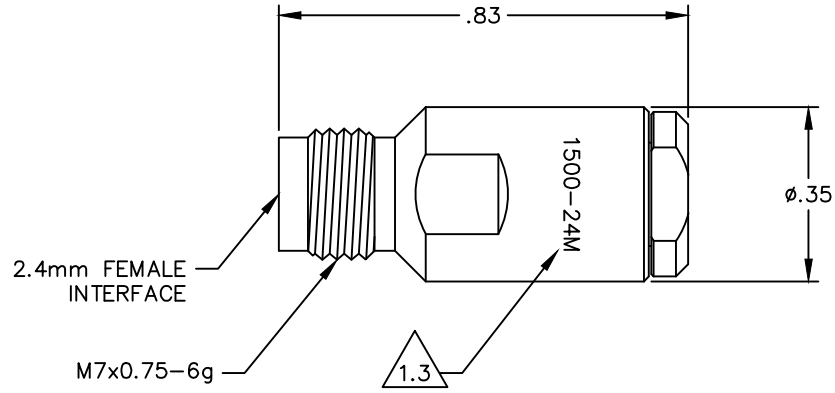


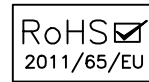
MODEL NUMBER
CGT-1500-F0-24M-02

NOTES:

1. MATERIAL & FINISH:
 - 1.1 HOUSING & COUPLING NUT: PASSIVATED STAINLESS STEEL
 - 1.2 CENTER CONTACT: GOLD PLATED BERYLLIUM COPPER
 - 1.3 MARKING: LASER MARK ON SURFACE AS SHOWN, LOCATION AND SIZE OPTIONAL.
 - 1.4 PACKAGING: 1 PER BAG
2. ELECTRICAL:
 - 2.1 FREQUENCY RANGE: DC TO 50 GHz
 - 2.2 IMPEDANCE: 50 OHMS NOMINAL
 - 2.3 VSWR (MAX): 1.22:1
 - 2.4 INPUT POWER (MAX): 1/4 WATT (CW) AT +25°C
3. MECHANICAL:
 - 3.1 MATING TORQUE: 7-10 INCH POUNDS
 - 3.2 DURABILITY: 500 CYCLES MIN
4. ENVIRONMENTAL:
 - 4.1 OPERATING TEMPERATURE: -55°C TO +125°C
 - 4.2 THERMAL SHOCK: MIL-STD-202, METHOD 107, CONDITION B.
 - 4.3 SHOCK: MIL-STD-202, METHOD 213, CONDITION I
 - 4.4 VIBRATION: MIL-STD-202, METHOD 204, CONDITION D
 - 4.5 MOISTURE RESISTANCE: MIL-STD-202, METHOD 106
 - 4.6 SALT SPRAY: MIL-STD-202, METHOD 101, CONDITION B




REV.	DESCRIPTION	DATE
001	ECO TBD	2/18/20



NOTICE: The information contained in this drawing is proprietary and must not be used without the permission of Cinch Connectivity Solutions.

UNLESS OTHERWISE NOTED DIMENSIONS ARE IN INCHES AND TOLERANCES ARE:
 3 PLACE DECIMALS ±.005
 2 PLACE DECIMALS ±.02
 FRACTIONS ±1/64
 PARALLELITY: T.I.R. _____
 FLATNESS: T.I.R. _____
 CONCENTRICITY: T.I.R. _____
 ANGLES AND PERPENDICULARITY: ±2'

CAGE CODE 34078		MIDWEST MICROWAVE		
		TITLE FEMALE TERMINATION 2.4mm, 50 OHMS		
		DRAWN/DATE J. KEREKES 1/14/20	ENG./DATE T. URBANEK 1/16/20	DRAWING NUMBER CGT-1500-F0-24M-02-01
CHECKED/DATE M. DVORAK 1/16/20		APPROVED/DATE	SCALE: NTS	SHEET 1 of 1