

MODEL NUMBER  
ADT-2694-MF-NNN-02

NOTES:

1.0 MATERIALS:

- 1.1 HOUSING & NUT: STAINLESS STEEL PER ASTM-A582, TYPE 303.
- 1.2 CENTER CONTACT: BERYLLIUM COPPER ROD ALLOY C172, PER ASTM-B196.
- 1.3 DIELECTRIC: PTFE FLUOROCARBON PER ASTM-D1457.

2.0 PLATING:

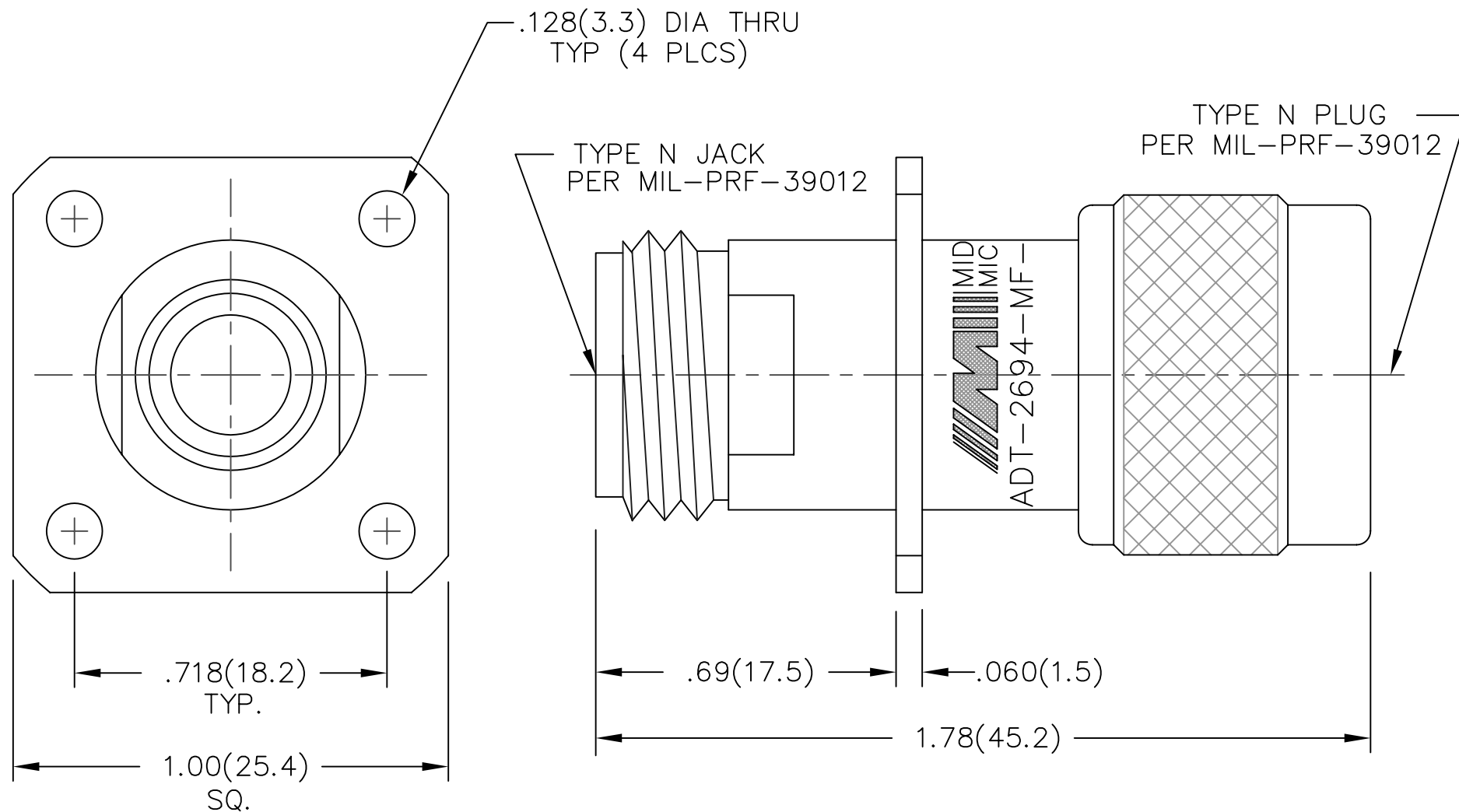
- 2.1 HOUSING & NUT: PASSIVATED PER MIL-F-14072 & QQ-P-35.
- 2.2 CENTER CONTACT: GOLD PER MIL-G-45204, TYPE II, CLASS 2.

3.0 ELECTRICAL SPECIFICATIONS:

- 3.1 FREQUENCY RANGE: DC to 18.0 GHz
- 3.2 VSWR (MAX.):  
DC to 4.0 GHz: 1.05:1  
4.0 to 8.0 GHz: 1.06:1  
8.0 to 18.0 GHz: 1.10:1
- 3.3 IMPEDANCE: 50 OHMS

4.0 MARKING: MARK UNIT AS SHOWN

5.0 DIMENSIONS IN PARENTHESIS ARE IN MILLIMETERS.



NOTICE: The information contained in this drawing is proprietary and must not be used without the permission of Emerson Network Power.

UNLESS OTHERWISE NOTED DIMENSIONS ARE IN INCHES AND TOLERANCES ARE:  
3 PLACE DECIMALS ±.005  
2 PLACE DECIMALS ±.02  
FRACTIONS ±1/64  
PARALLELITY: T.I.R. \_\_\_\_\_  
FLATNESS: T.I.R. \_\_\_\_\_  
CONCENTRICITY: T.I.R. \_\_\_\_\_  
ANGLES AND PERPENDICULARITY: ±1'

CAGE CODE <b>34078</b>		<b>MIDWEST MICROWAVE</b>	
 <b>EMERSON</b> Network Power Connectivity Solutions		TITLE ADAPTER - TYPE N JACK/PLUG OUTLINE DRAWING	
		DRAWING NUMBER ADT-2694-MF-NNN-02-01	
DRAWN/DATE M.STAFFORD 5/2/00	ENG./DATE G.KOZAK 8/22/00	REV. A	SCALE: 5=1
CHECKED/DATE		APPROVED/DATE	
SHEET 1 of 1		SHEET 1 of 1	

REV.	DESCRIPTION	DATE
-	RELEASED	8/22/00
A	ECO 23179	1/5/11