

MODEL NUMBER  
ADT-2595-FF-SMA-02

NOTES:

1.0 MATERIALS

- 1.1 HOUSING: STAINLESS STEEL PER ASTM-A582, TYPE 303.
- 1.2 CENTER CONTACT: BERYLLIUM COPPER ROD PER ALLOY C172, PER ASTM B196.
- 1.3 DIELECTRIC: PTFE FLUOROCARBON PER ASTM-D1457.

2.0 PLATING

- 2.1 HOUSING: PASSIVATED PER QQ-P-35 AND MIL-F-14072.
- 2.2 CENTER CONTACT: GOLD PER MIL-G-45204 TYPE II, CLASS 2.

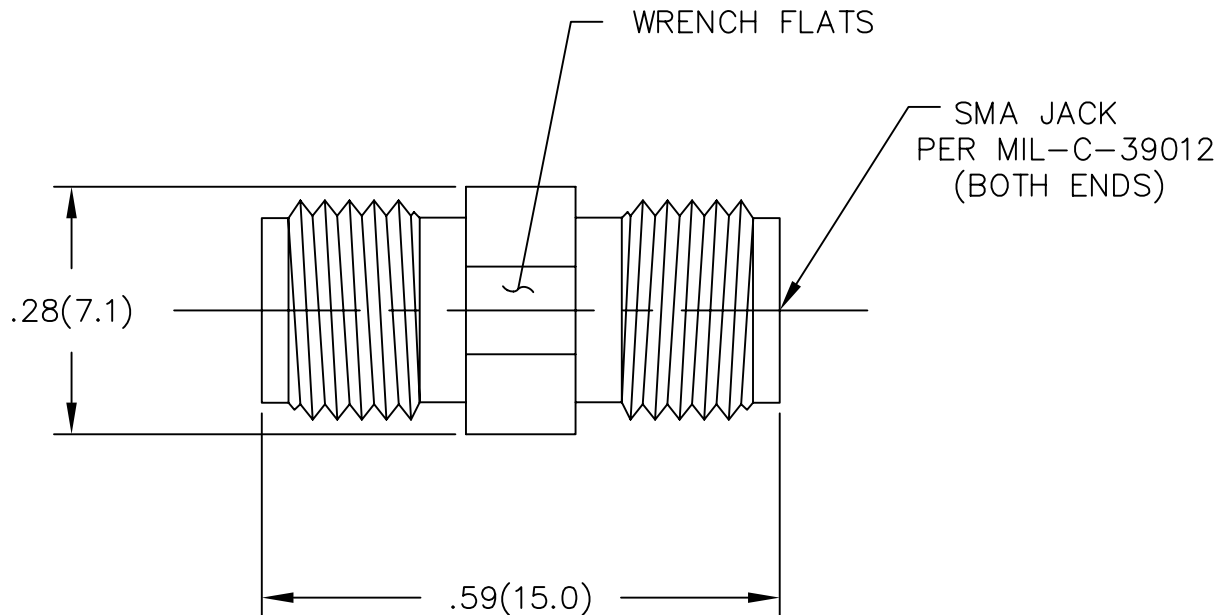
3.0 ELECTRICAL SPECIFICATIONS

- 3.1 FREQUENCY RANGE: DC to 18.0 GHz.
- 3.2 VSWR (MAX): 1.05 + .005f(GHz)
- 3.3 IMPEDANCE: 50 OHMS

4.0 MARKING

- 4.1 NO MARKING REQUIRED ON UNIT.

5.0 DIMENSIONS IN PARENTHESIS ARE MILLIMETERS.



REV.	DESCRIPTION	DATE
I	RELEASED	5/4/93
A	ECR 1614	8/2/82
B	ECR 6545	6/30/88
C	UPDATE ON CAD	5/2/93

DWG. NO. WAS: 02756-01-00

NOTICE: The information contained in this drawing is proprietary and must not be used without the permission of Emerson Network Power.

UNLESS OTHERWISE NOTED DIMENSIONS ARE IN INCHES AND TOLERANCES ARE:

3 PLACE DECIMALS ±.005  
 2 PLACE DECIMALS ±.02  
 FRACTIONS ±1/64  
 PARALLELITY: T.I.R.  
 FLATNESS: T.I.R.  
 CONCENTRICITY: T.I.R.  
 ANGLES AND PERPENDICULARITY: ±1'

CASE CODE <b>34078</b>		<b>MIDWEST MICROWAVE</b>	
		TITLE ADAPTER SMA JACK TO SMA JACK OUTLINE DRAWING	
		DRAWING NUMBER ADT-2595-FF-SMA-02-01	REV. C
DRAWN/DATE A. BEATTY 5/4/93	ENG./DATE A. OSGA 5/5/93	SCALE: 5=1	SHEET 1 of 1
CHECKED/DATE M. HOLLMAN 5/4/93	APPROVED/DATE		