

JOHNSON MODEL NO.	PACKAGING
131-6711-301	BULK PACK 25 PCS.
131-6711-302	TAPE & REEL 425 PCS PER FIG 1.
131-6711-305	BULK PACK 25 PCS.
131-6711-306	TAPE & REEL 425 PCS PER FIG 1.



NOTES: UNLESS OTHERWISE SPECIFIED.

1. MATERIAL & FINISH:

- 1.1 BODY:
  - 1.1.1 131-6711-301 & -302: GOLD PLATED BRASS
  - 1.1.2 131-6711-305 & -306: NICKEL PLATED BRASS
- 1.2 INSULATORS: PTFE (TEFLON)
- 1.3 CENTER CONTACT: GOLD PLATED BRASS

2. ELECTRICAL SPECIFICATIONS:

- 2.1 IMPEDANCE: 50 OHMS
- 2.2 FREQUENCY RANGE: 0 - 10 GHz
- 2.3 WORKING VOLTAGE: 335 VRMS MAX AT SEA LEVEL
- 2.4 DIELECTRIC WITHSTANDING VOLTAGE: 1000 VRMS MIN AT SEA LEVEL
- 2.5 INSULATION RESISTANCE: 1000 MEGOHM MIN
- 2.6 CONTACT RESISTANCE:
  - 2.6.1 CENTER CONTACT - INITIAL 6 MILLIOHM MAX, AFTER ENVIRONMENTAL 8 MILLIOHM MAX
  - 2.6.2 OUTER CONDUCTOR - INITIAL 1 MILLIOHM MAX, AFTER ENVIRONMENTAL NOT APPLICABLE
- 2.7 RF HIGH POTENTIAL WITHSTANDING VOLTAGE: 600 VRMS AT 4 AND 7 MHz

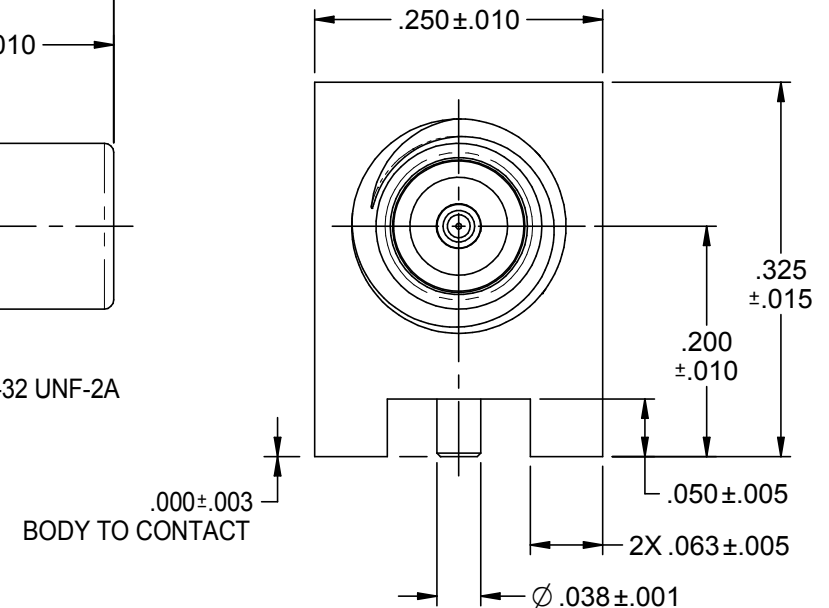
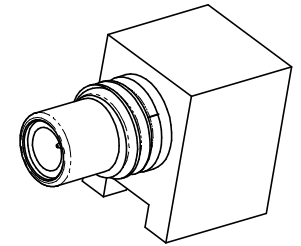
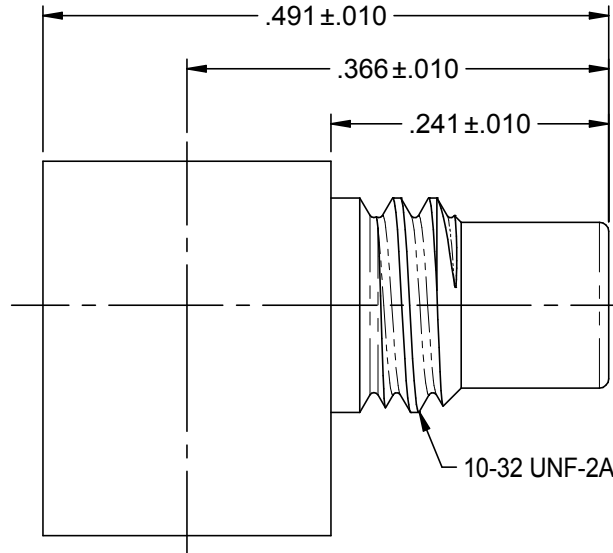
3. MECHANICAL SPECIFICATIONS:

- 3.1 ENGAGE/DISENGAGE TORQUE (MAX): 16 INCH-OUNCES
- 3.2 MATING TORQUE: 35-50 INCH-OUNCES
- 3.3 CONTACT RETENTION: 4 LBS MIN AXIAL FORCE
- 3.4 DURABILITY: 500 CYCLES MIN

4. ENVIRONMENTAL SPECIFICATIONS:

- (MEETS OR EXCEEDS THE APPLICABLE PARAGRAPH OF MIL-PRF-39012)
- 4.1 THERMAL SHOCK: MIL-STD-202, METHOD 107, CONDITION B
- 4.2 OPERATING TEMPERATURE: -65°C TO 165°C
- 4.3 CORROSION: MIL-STD-202, METHOD 101, CONDITION B
- 4.4 SHOCK: MIL-STD-202, METHOD 213, CONDITION C
- 4.5 VIBRATION: MIL-STD-202, METHOD 204, CONDITION D

△ CONNECTOR MOUNTING RAILS AND CONTACT 60%/40% TIN/LEAD COATED (SOLDER PLATED).



RECOMMENDED LAND PATTERN\*

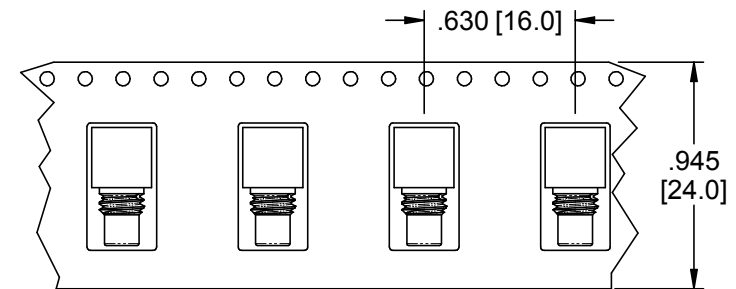
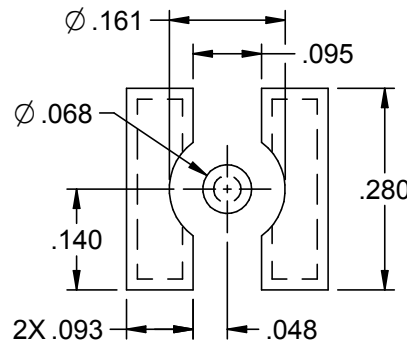


FIG 1

\* NOTE: THIS PATTERN IS FOR REFERENCE ONLY. PATTERN MAY VARY DEPENDING ON ASSEMBLY PROCESS OR SPECIFIC ELECTRICAL OR MECHANICAL REQUIREMENTS.

	3RD ANGLE PROJECTION	<b>JOHNSON</b>	
		Title: JACK ASSEMBLY, RA SURFACE MOUNT SMC	
<small>This PROPRIETARY Document is property of Cinch Connectivity Solutions. It is confidential in nature, non-transferable, and issued with the clear understanding that it is not to be traded or copied without permission and is returnable upon demand.</small>	<small>UNLESS OTHERWISE SPECIFIED UNITS: INCH</small> .XX ± .02 .XXX ± .005 ANGLES ± 2°	Model No. <b>131-6711-301/310</b>	Sheet 1 of 1
<small>INTERPRET DRAWING IN ACCORDANCE WITH ASME Y14.5-2009.</small>	Size A	DO NOT SCALE DRAWING	Date: 6/15/2015