

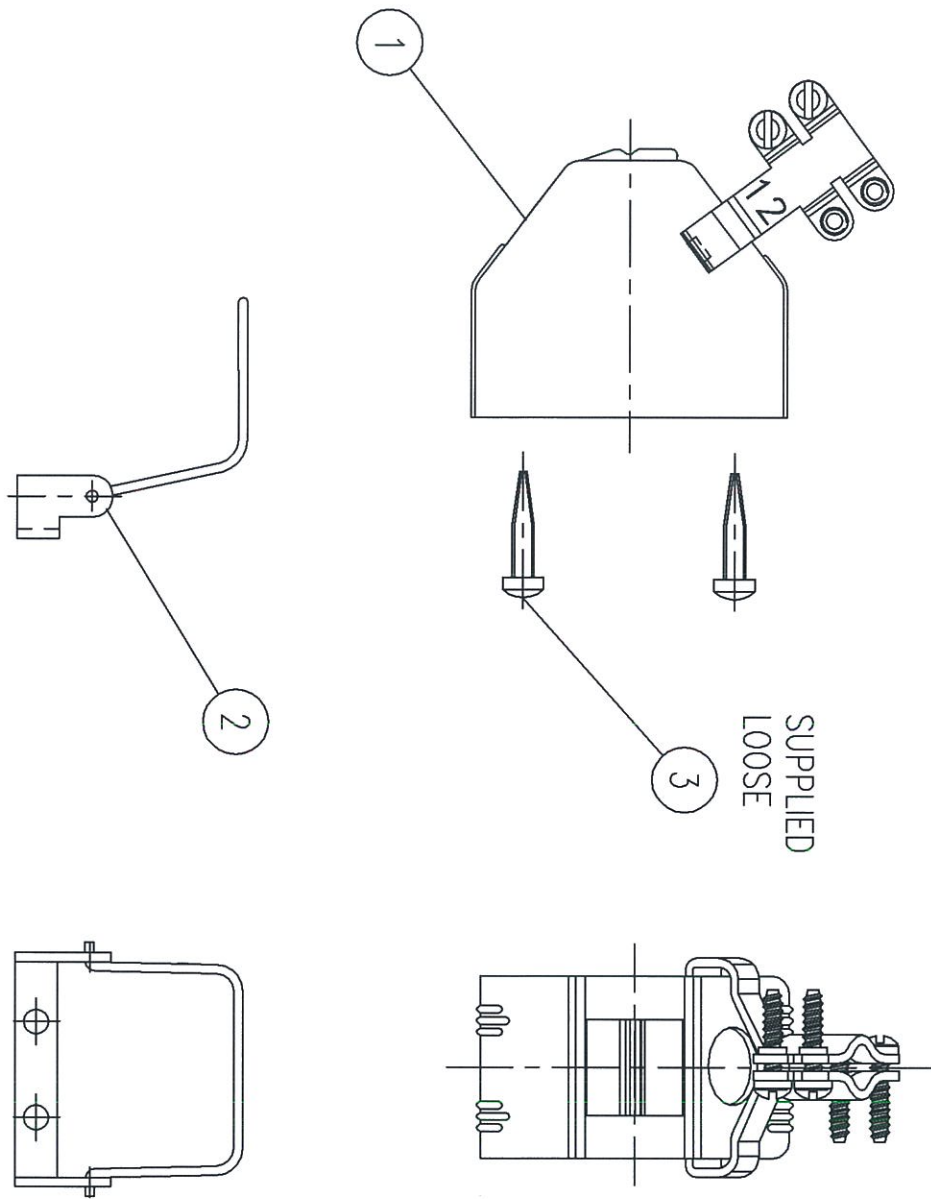


IF IN DOUBT - ASK

ALL DIMENSIONS ARE IN mm

ROHS COMPLIANT

CUSTOMER DRAWING.



SUPPLIED LOOSE

THIS DRAWING IS COPYRIGHT AND IS ISSUED ON CONDITION IT IS NOT COPIED, REPRODUCED OR DISCLOSED TO A THIRD PARTY WITHOUT THE CONSENT IN WRITING OF CINCH CONNECTORS LTD. ATTENTION IS DRAWN TO THE FACT THAT THE ARTICLE DISCLOSED MAY BE COVERED BY BRITISH OR FOREIGN PATENTS, GRANTED OR PENDING OR REGISTERED DESIGN.

				APP'D					GENERAL TOLERANCE 2 DECIMAL PLACES ± 0.10 1 DECIMAL PLACE ± 0.20 NO DECIMAL PLACE ± 0.50 ANGULAR ± 1' 0.18 MAX TOOLING RAD.	TITLE		
				DATE	12.09.13			12 WAY MOULD SHELL ASSEMBLY AND SPRING CLIP ASSY				
				MOD No.				DRN. JMADELEY		DATE 12.09.13	SCALE	CHD JNM
				ISSUE	A	CUST ISSUE		MATERIAL SPEC.				
CODE	DESCRIPTION	ITEM	FINISH	No. OFF	ISSUE				RAW MATERIAL	FINISHED HARDNESS	FINISHED TREATMENT	FINISHED COLOUR
	SCREW	3	ZINC PLATE	4								
	SPRING CLIP ASSY	2		1								
	SHELL ASSY	1		1								