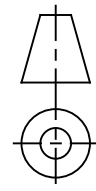
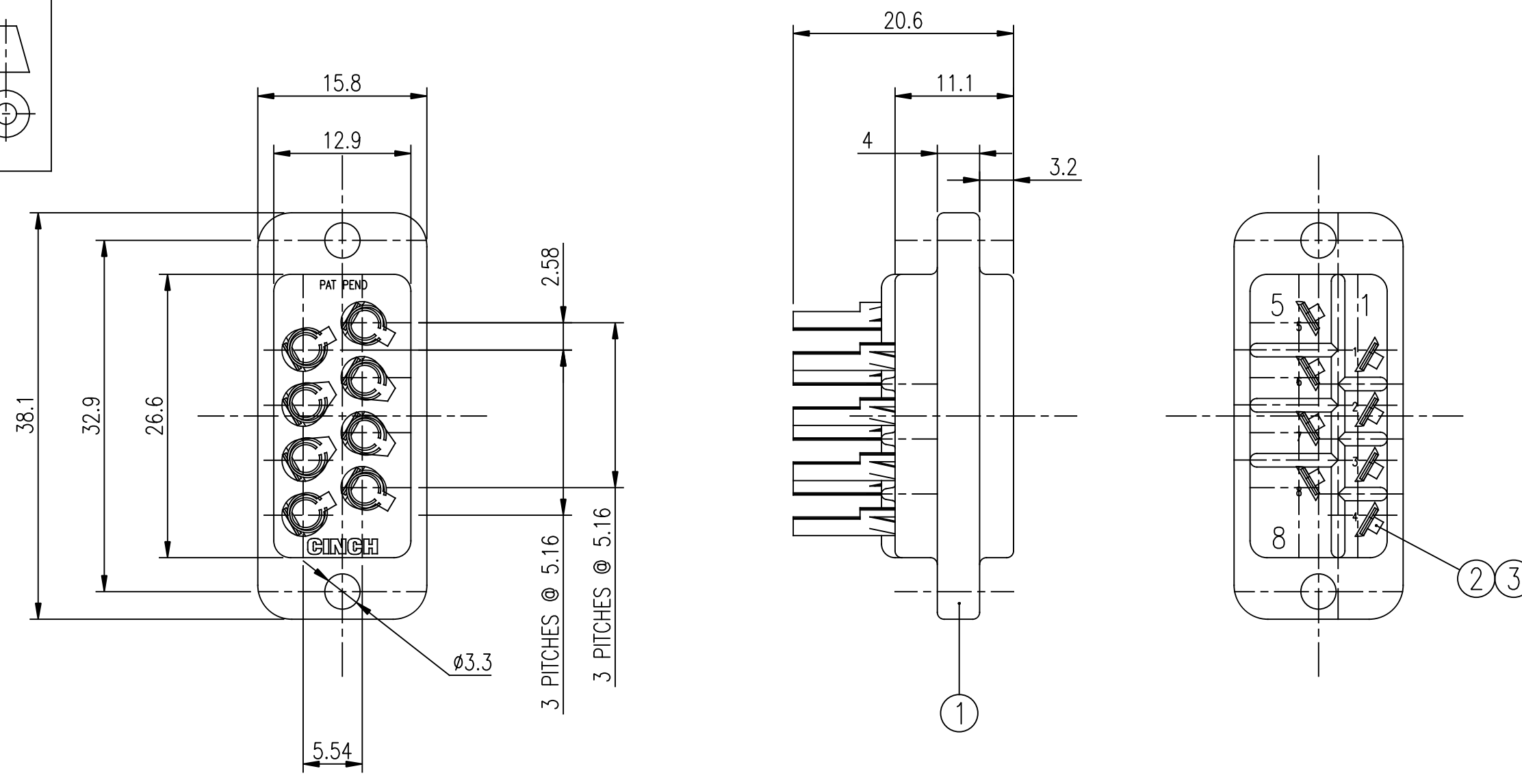


1	2	3	4	5	6	7
CINCH Connectors Ltd. WORKSOP, ENGLAND						
RELEVANT SPEC. 77847 00 000 000 000 SHEET 1 OF 1						
CAD No. G:JA7784700000000						
IF IN DOUBT - ASK ALL DIMENSIONS ARE IN mm						
						
						
<p>NOTES:</p> <p>1. ALL DIMENSIONS ARE REFERENCE ONLY UNLESS STATED OTHERWISE.</p>						
<p>THIS DRAWING IS COPYRIGHT AND IS ISSUED ON CONDITION IT IS NOT COPIED, REPRODUCED OR DISCLOSED TO A THIRD PARTY WITHOUT THE CONSENT IN WRITING OF CINCH CONNECTORS LTD. ATTENTION IS DRAWN TO THE FACT THAT THE ARTICLE DISCLOSED MAY BE COVERED BY BRITISH OR FOREIGN PATENTS, GRANTED OR PENDING OR REGISTERED DESIGN.</p>						
<p>TITLE J-TYPE 8 WAY SOCKET CONNECTOR ASSEMBLY</p>						
<p>DRN. RMUSCROFT DATE 06.06.07 SCALE 2:1 CHD</p>						
<p>RAW MATERIAL MATERIAL SPEC. APP'D</p>						
<p>FINISHED HARDNESS FINISH TREATMENT FINISHED COLOUR</p>						
<p>APP'D DATE MOD No. ISSUE</p>						
<p>GENERAL TOLERANCE</p>						
<p>06.06.07 A CUST. ISS.</p>						
<p>DESCRIPTION No. OFF</p>						
<p>CONTACT 3 BRIGHT TIN 8</p>						
<p>CONTACT 2 BRIGHT TIN 8</p>						
<p>8W INSULATOR 1 G.F. POLYESTER 1</p>						
<p>FINISH I_TE_M</p>						