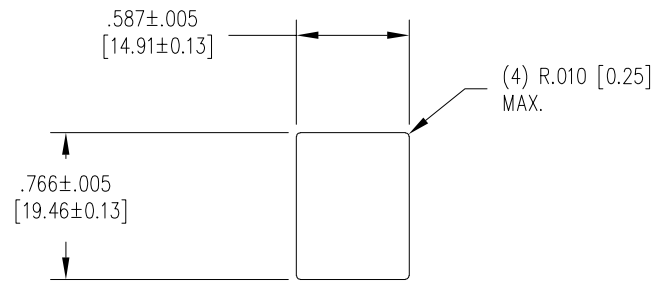
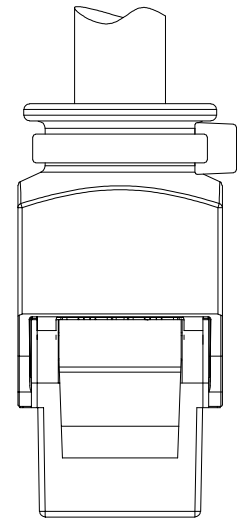
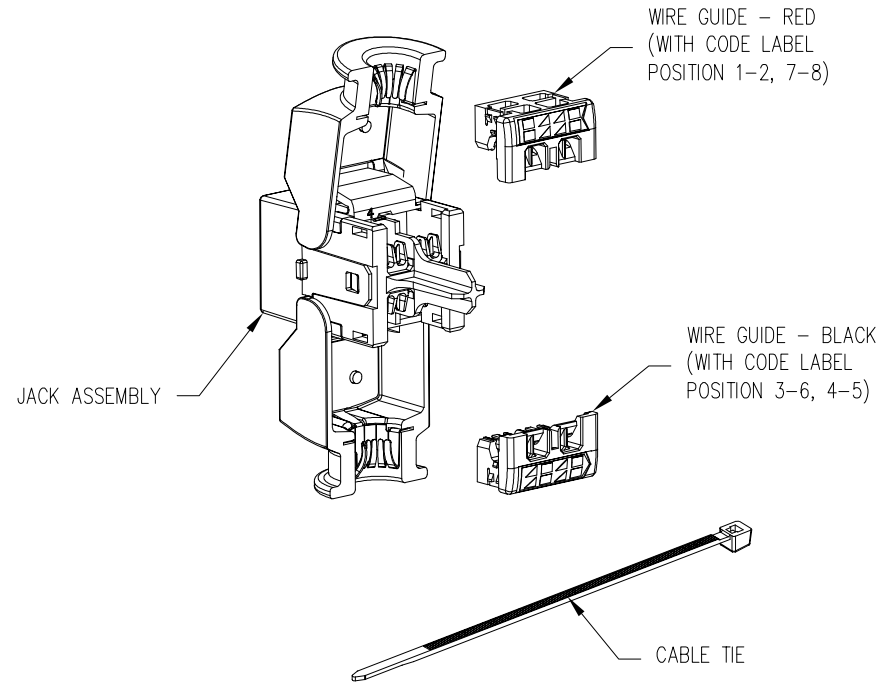


DATE	REV	ECN	APP'D. BY
7-21-16	A0	-	DHG
2-20-20	A1	11509	ADB



RECOMMENDED PANEL OPENING
 .060 [1.54] MAXIMUM PANEL THICKNESS
 (PER IEC 60603-7)

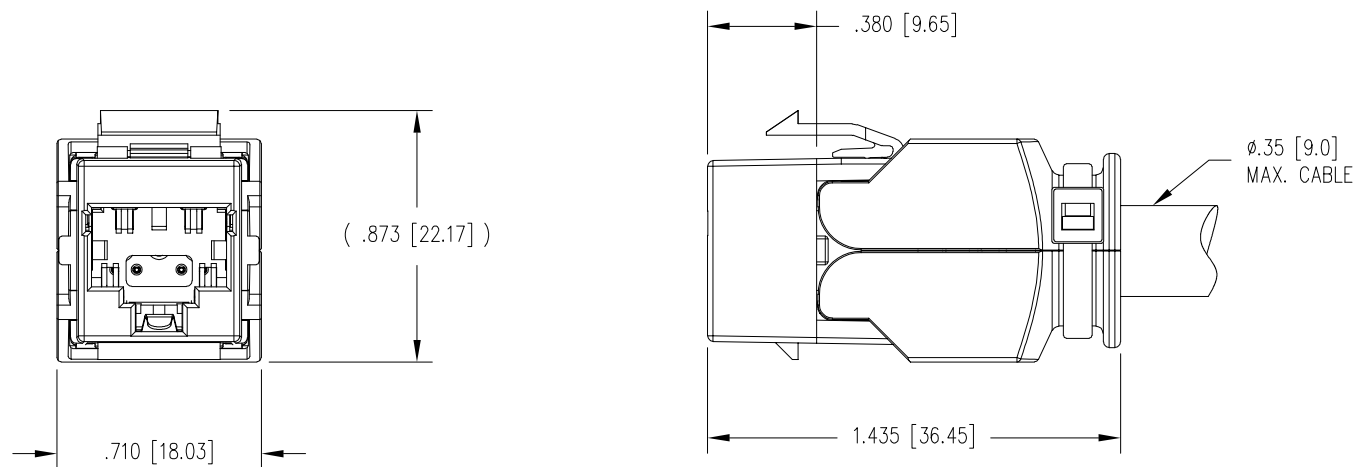


CONNECTOR KIT COMPONENTS

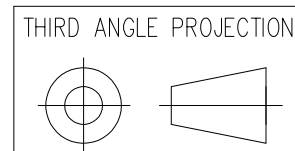
NOTES:

- CONNECTOR MATERIALS:
 HOUSINGS AND BACK SHELLS: ZINC
 CONTACT HOLDERS & WIRE GUIDES: THERMOPLASTIC UL94 V-0
 PRINTED WIRING BOARD: GLASS FILLED EPOXY
 CONTACTS/GROUND SPRING: COPPER ALLOY
 HOUSING/GROUND SPRING PLATING: NICKEL
 IDC CONTACT PLATING: TIN
 JACK CONTACT PLATING: SELECTIVE GOLD IN CONTACT AREA
 SEE CHART FOR PART NUMBER
- DESIGNED FOR CATEGORY 7A AND 8.2 PERFORMANCE, INCLUDING 10, 25, 40, AND 50 GIGABIT ETHERNET APPLICATIONS. TRANSMISSION SPEEDS UP TO 3000 MEGAHERTZ.
- DIMENSIONS AND TOLERANCES COMPLY WITH IEC 61076-3-110.
- WIRE RANGE 22 TO 23 AWG [0.64 - 0.57] PIMF CABLE, WITH SOLID CONDUCTORS ONLY AND MAXIMUM INSULATION Ø.065 [1.65].
- FOR PRODUCT SPECIFICATION SEE PR034-01.
- REFER TO DOCUMENT MN770002 FOR TERMINATION INSTRUCTIONS.

50 MICRO-INCHES [1.27um]	SS-77100-015
CONTACT PLATING IN MATING AREA	PART NUMBER



CONNECTOR ASSEMBLED ON CABLE



1118 Susquehanna Trail South
 Glen Rock, PA 17327-9199
 (717) 235-7512
<http://www.stewartconnector.com>

DO NOT SCALE DRAWING
 DRAWING IS SUBJECT TO CHANGE WITHOUT NOTICE

DIMENSIONS: INCHES [METRIC]
 UNLESS OTHERWISE SPECIFIED TOLERANCES ARE ±.005 [0.13] ANGLES ARE ± 1°

SHEET NO. 1 OF 1

TITLE: IEC 61076-3-110 INTERFACE ARJ45 CABLE JACK

THIS DRAWING AND THE SUBJECT MATTER SHOWN THEREON ARE CONFIDENTIAL AND THE PROPRIETARY PROPERTY OF STEWART CONNECTOR AND SHALL NOT BE REPRODUCED, COPIED, OR USED IN ANY MANNER WITHOUT PRIOR WRITTEN CONSENT OF STEWART CONNECTOR. ONE OR MORE U.S. PATENTS MAY APPLY TO THIS PRODUCT. FOR DETAILS, PLEASE VISIT: [HTTP://BELFUSE.COM/STEWART/STEWART_PATENTS/](http://BELFUSE.COM/STEWART/STEWART_PATENTS/)

DRN BY: DHG	DATE: 10-16-15
APPD BY: YB	DATE: 10-21-15
DWG NO. CT770011	REV. A1