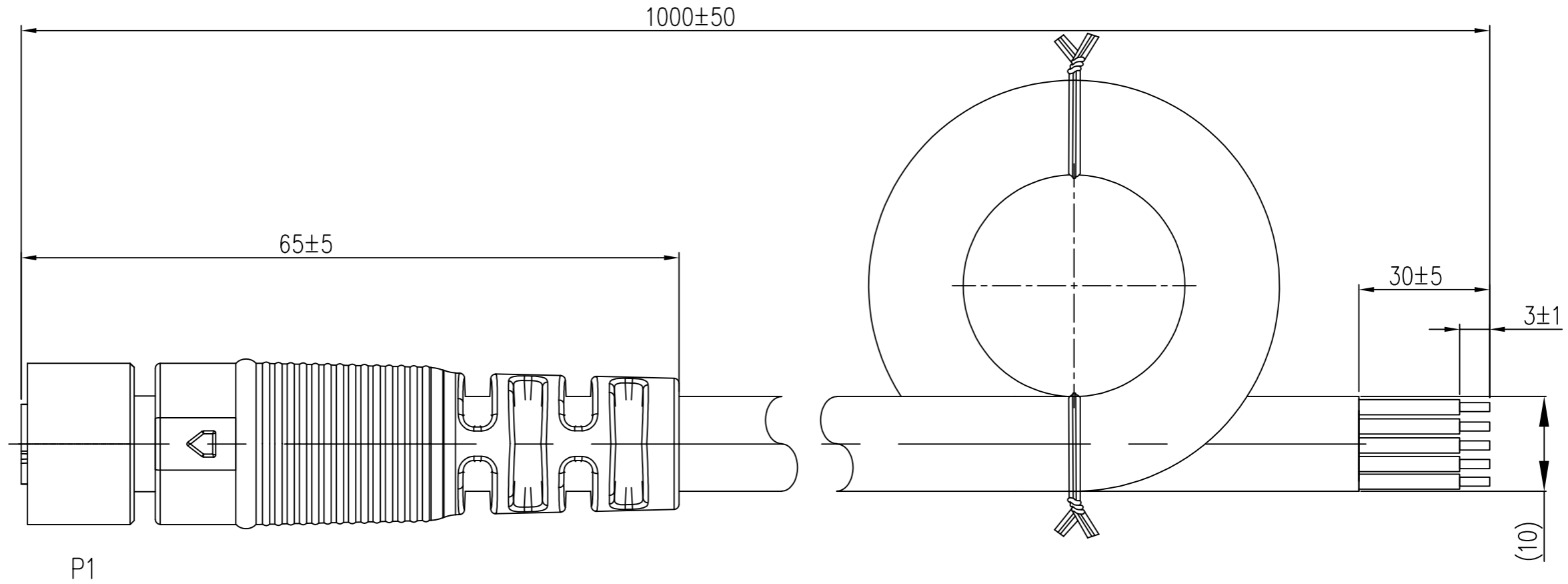
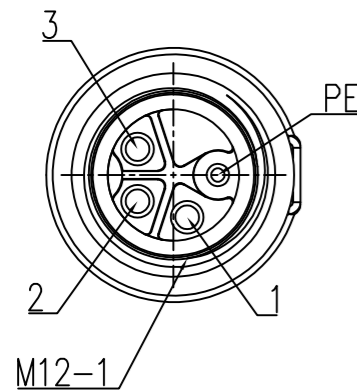


DATE	REV	REVISION CHANGES	ECN	APP'D. BY
8/19/22	A0	INITIAL DRAWING	12037	JE



P1	WIRE COLOR
1	WHITE
2	BLUE
3	BROWN
PE	BLACK

NOTES:

- CONNECTOR MATERIALS:
HOUSING: BLACK PLASTIC UL 94V-0
CONTACTS: COPPER ALLOY, GOLD PLATED OVER NICKEL
SHELL: BRASS, NICKEL PLATED
O-RING: EPDM
COUPLING NUT: BRASS, NICKEL PLATED
- CABLE: UL2586 16AWG-4C 1000V 105" BLACK OD:10mm
- CODING TYPE: K
- CURRENT RATING:12A
- VOLTAGE RATING:630V
- INSULATION RESISTANCE: 100MΩ MIN.
- DEGREE OF PROTECTION: IP68

SS-12500-003
PART NUMBER

THIRD ANGLE PROJECTION

11118 Susquehanna Trail South
Gen Rock, PA 17327-9199
(717) 235-7512
<http://www.stewartconnector.com>

DO NOT SCALE DRAWING
DRAWING IS SUBJECT TO CHANGE WITHOUT NOTICE

UNLESS OTHERWISE SPECIFIED
DIMENSIONS: METRIC
TOLERANCES ARE ±0.13
ANGLES ARE ± 1°

THIS DRAWING AND THE SUBJECT MATTER SHOWN THEREON ARE CONFIDENTIAL AND THE PROPRIETARY PROPERTY OF STEWART CONNECTOR AND SHALL NOT BE REPRODUCED, COPIED, OR USED IN ANY MANNER WITHOUT PRIOR WRITTEN CONSENT OF STEWART CONNECTOR, ONE OR MORE U.S. PATENTS MAY APPLY TO THIS PRODUCT. FOR DETAILS, PLEASE VISIT: [HTTP://BELFUSE.COM/STEWART/STEWART_PATENTS/](http://BELFUSE.COM/STEWART/STEWART_PATENTS/)

TITLE: M12 K-CODE, IP 68 VERTICAL FEMALE PIGTAIL 3FT

DRW BY: JMM DATE: 8/19/22
APP'D BY: JE DATE: 8/19/22
SHEET NO: 1 OF 1 DWG NO: CT120025 REV: A0

