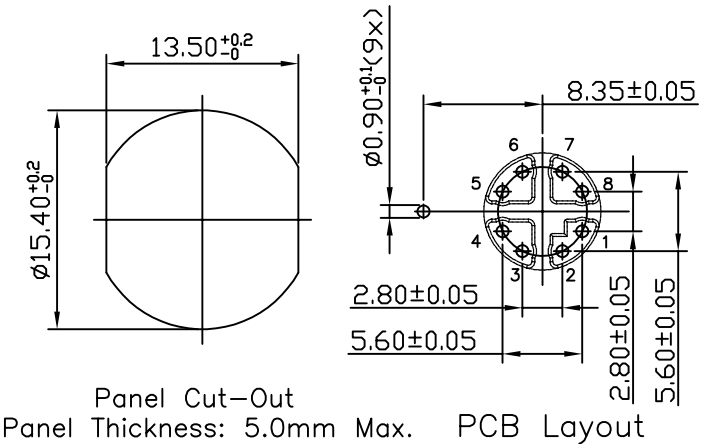
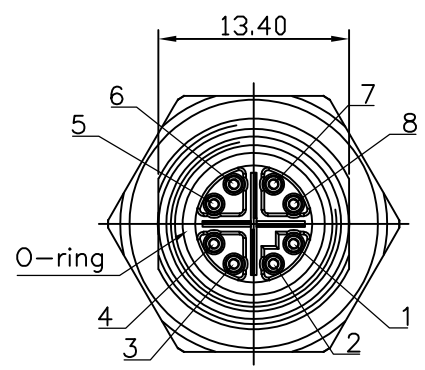
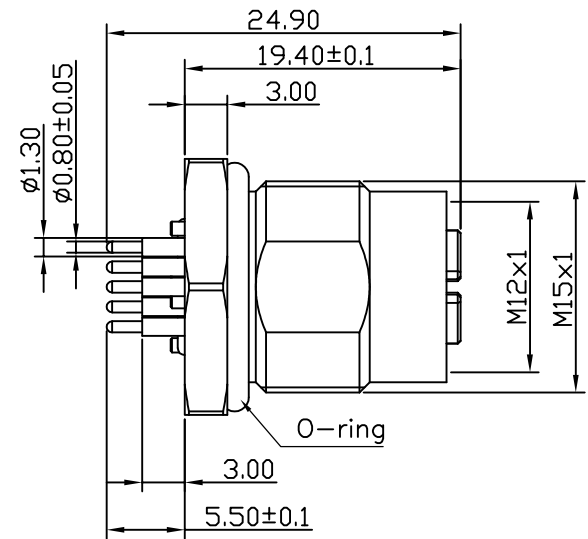
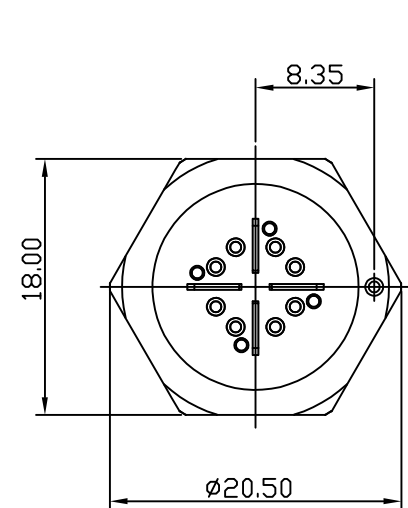
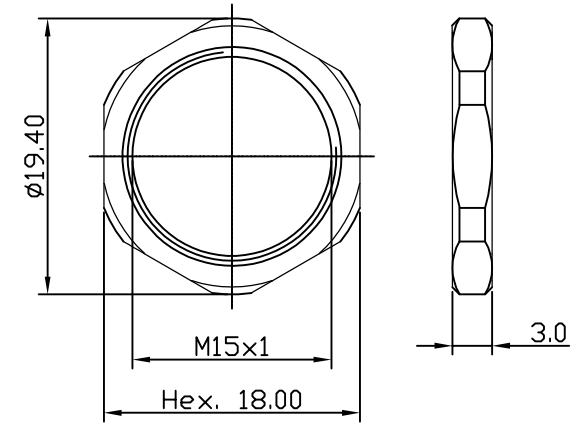


DATE	REV	REVISION CHANGES	ECN	APP'D BY
3/11/21	A0	AS DRAWN	-	BTS



Panel Cut-Out
Panel Thickness: 5.0mm Max. PCB Layout

- NOTES:
- CONNECTOR MATERIALS:
HOUSING: PA
CONTACTS: COPPER ALLOY, GOLD PLATED
SHELL: COPPER ALLOYS, NICKEL PLATED
SEALING: NBR (INTERNAL) AND EPDM (EXTERNAL)
JAM NUT: COPPER ALLOY, NICKEL PLATED
 - FOR PRODUCT SPECIFICATIONS SEE PRO39-01
 - DIMENSIONS AND TOLERANCES COMPLY WITH IEC 61076-2-109 STANDARD
 - CODING TYPE: X
 - CURRENT RATING: 0.5 AMPS MAX PER CONTACT
 - VOLTAGE RATING: 48V PER CONTACT
 - DEGREE OF PROTECTION: IP68
 - NUT TORQUE: 16 TO 18KG-CM

SS-12400-003
PART NUMBER

<p>THIRD ANGLE PROJECTION</p>	<p>11118 Susquehanna Trail South Glen Rock, PA 17327-9199 (717) 235-7512 http://www.stewartconnector.com</p>	<p>FILE: M12 X-Code, Vertical, Rear Mount PCB Receptacle</p>	
		<p>DO NOT SCALE DRAWING DRAWING IS SUBJECT TO CHANGE WITHOUT NOTICE</p>	<p>UNLESS OTHERWISE SPECIFIED TOLERANCES ARE AS FOLLOWS: ANGLES ARE 25°</p>
<p>RoHS</p>	<p>THIS DRAWING AND THE SUBJECT MATTER SHOWN THEREON ARE CONFIDENTIAL AND THE PROPRIETARY PROPERTY OF STEWART CONNECTOR AND SHALL NOT BE REPRODUCED, COPIED, OR USED IN ANY MANNER WITHOUT PRIOR WRITTEN CONSENT OF STEWART CONNECTOR. ONE OR MORE U.S. PATENTS MAY APPLY TO THIS PRODUCT. FOR DETAILS, PLEASE VISIT: HTTP://REFUSE.COM/STEWART/PATENTS/</p>	<p>DATE: 03/8/21 APP'D BY: JE DATE: 03/11/21</p>	<p>DATE: 03/11/21 APP'D BY: BTS DATE: 03/11/21</p>
<p>SHEET NO. 1 OF 1</p>	<p>DWG NO. CT120016</p>	<p>REV. A0</p>	