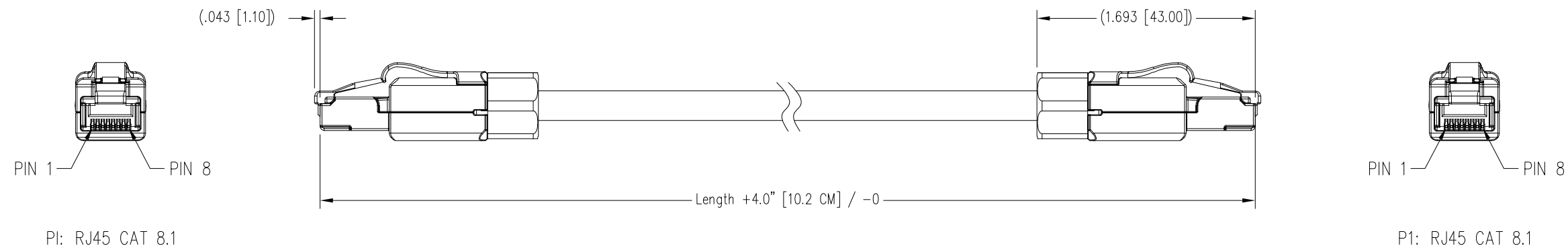


DATE	REV	ECN	APP'D. BY
07/06/20	A0	-	JE

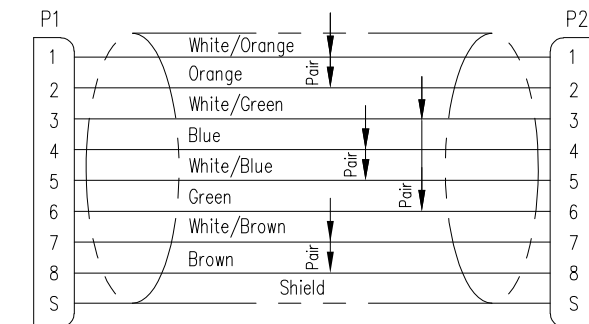


P/N Structure
CA81-xxxU-yy

- 01 = FRNC/LSZH Jacket (ø5.8mm), Grey
- Length Units (See Part Number Reference Table)
 F = Feet
 M = Meters
- Length (See Part Number Reference Table)
 1 Foot Increments
 0.1 Meter Increments
- 81 = RJ45 CAT 8.1 TO RJ45 CAT 8.1
- Cable Assembly Family

Notes:

- 1) Each cable assembly to be individually bagged.
- 2) Connector Construction:
 - Plastic Housings: Thermoplastic, UL 94 V-0
 - Internal Contacts: Copper Alloy, Tin or Nickel Plating
 - Shield Housings: Zinc Diecast, Tin or Nickel Plating
 - Plug Contacts: Copper Alloy
 Selective 50µ" Gold plating, Nickel Underplate
- 3) Cable Construction:
 - 4 Pair Flexible, S/FTP, CAT 8.2, Euroclass Dca
 - Stranded bare copper, AWG26
 - PE Primary Wire Insulation
 - Aluminum PETP Foil around each twisted pair
 - Tinned Braided Copper overall screen
 - Jacket Material: See Part Number
- 4) 100% Transmission Tested for CAT 8.1 Channel Performance



Wiring Map

LENGTH	Part Number
10 FT	CA81-010F-01
2 M	CA81-020M-01



THIRD ANGLE PROJECTION 	 11118 Susquehanna Trail South Glen Rock, PA 17327-9199 (717) 235-7512 http://www.stewartconnector.com
DO NOT SCALE DRAWING DRAWING IS SUBJECT TO CHANGE WITHOUT NOTICE	TITLE: RJ45 CAT 8.1 TO CAT 8.1 PATCH CORD ASSEMBLY
DIMENSIONS: INCHES [METRIC] UNLESS OTHERWISE SPECIFIED TOLERANCES ARE ±.005 [0.13] ANGLES ARE ± 1°	THIS DRAWING AND THE SUBJECT MATTER SHOWN THEREON ARE CONFIDENTIAL AND THE PROPRIETARY PROPERTY OF STEWART CONNECTOR AND SHALL NOT BE REPRODUCED, COPIED, OR USED IN ANY MANNER WITHOUT PRIOR WRITTEN CONSENT OF STEWART CONNECTOR. ONE OR MORE U.S. PATENTS MAY APPLY TO THIS PRODUCT. FOR DETAILS, PLEASE VISIT: HTTP://BELFUSE.COM/STEWART/STEWART_PATENTS/
SHEET NO. 1 OF 1	DRN BY: ADB DATE 05/11/20 APPD BY: JE DATE 07/06/20 DWG NO. CTCA81-001 REV. A0