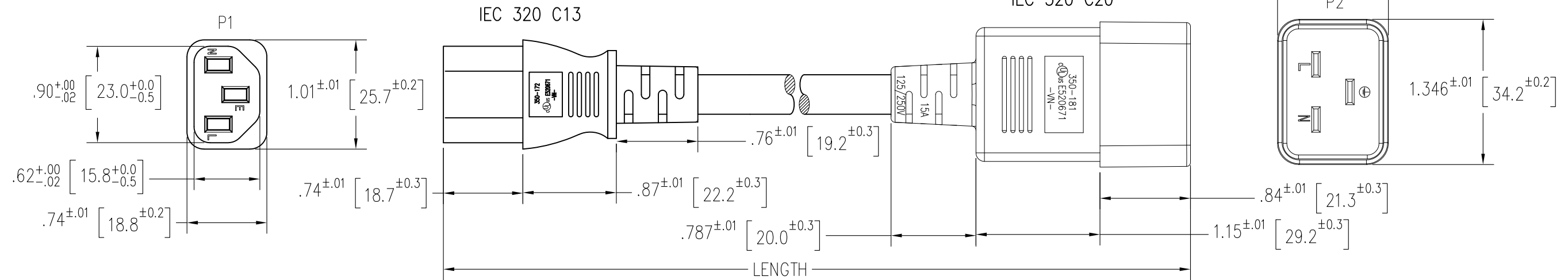


DATE	REV	ECN	APP'D. BY
09/30/22	AO	12050	GWL
11/9/2022	A1	12071	GWL



- NOTES:
- SPECIFICATIONS:
 RATING: 15A 250V AC
 CABLE TYPE: UL SJT 14AWG 3C, OD 9.3mm COLOR (SEE P/N KEY)
 CABLE MARKING:
 (UL) SJT 3/C 14AWG (2.084MM) ² VW-1 105°C 300V E204978
 C(UL) SJT 2.08MM ²(14 AWG) FT2 105°C 300V E204978
 END "P1": IEC 320 C13, MOLDED PVC 35P, COLOR (SEE P/N KEY)
 END "P2": IEC 320 C20, MOLDED PVC 35P, COLOR (SEE P/N KEY)
 - ALL RELEVANT MATERIALS ARE COMPLIANT WITH RoHS DIRECTIVE.
 - APPROVALS: UL cUL
 - TESTING:
 - 100% CONTINUITY/SHORT
 - HIPOT INTERNAL 2KV LASTING 1 SEC;
EXTERNAL 2.5 KV. LASTING 1 SEC
 - OPERATING TEMPERATURE: -4° F (-20° C) TO 140° F (60° C)
 - HUMIDITY RANGE 10-85% RH

P/N Key:

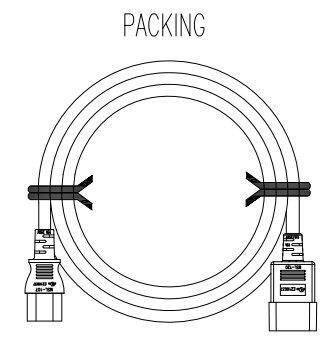
PC-BC K XXX X

Length

002 F = 2 Ft
 003 F = 3 Ft
 005 F = 5 Ft
 006 F = 6 Ft
 010 F = 10 Ft

Color

K = Black
 R = Red
 N = Green
 E = Blue



THIRD ANGLE PROJECTION		11118 Susquehanna Trail South Glen Rock, PA 17327-9199 (717) 235-7512 http://www.stewartconnector.com
DRAWING IS SUBJECT TO CHANGE WITHOUT NOTICE		TITLE: POWER SUPPLY CORDS IEC 320 C13 TO IEC 320 C20
Cable Length Unless Other Spec. Tolerances: 0 ~ 3.3 Ft [1M] ± .79 IN [20mm] 3.4 Ft [1.1M] ~ 5 Ft [1.5M] ± .98 IN [25mm] 5.1 Ft [1.6M] ~ 6.9 Ft [2M] ± 1.2 IN [30mm] 7.0 Ft [2.1M] ~ † ± 1.6 IN [40mm] DO NOT SCALE DRAWING	THIS DRAWING AND THE SUBJECT MATTER SHOWN THEREON ARE CONFIDENTIAL AND THE PROPRIETARY PROPERTY OF STEWART CONNECTOR AND SHALL NOT BE REPRODUCED, COPIED, OR USED IN ANY MANNER WITHOUT PRIOR WRITTEN CONSENT OF STEWART CONNECTOR. ONE OR MORE U.S. PATENTS MAY APPLY TO THIS PRODUCT. FOR DETAILS, PLEASE VISIT: HTTP://BELFUSE.COM/STEWART/STEWART_PATENTS/	DRN BY: GWL DATE: 09/08/2022 APPD BY: JME DATE: 09/30/2022 DWG NO. CT999277 REV. A1
SHEET NO. 1 OF 1		

