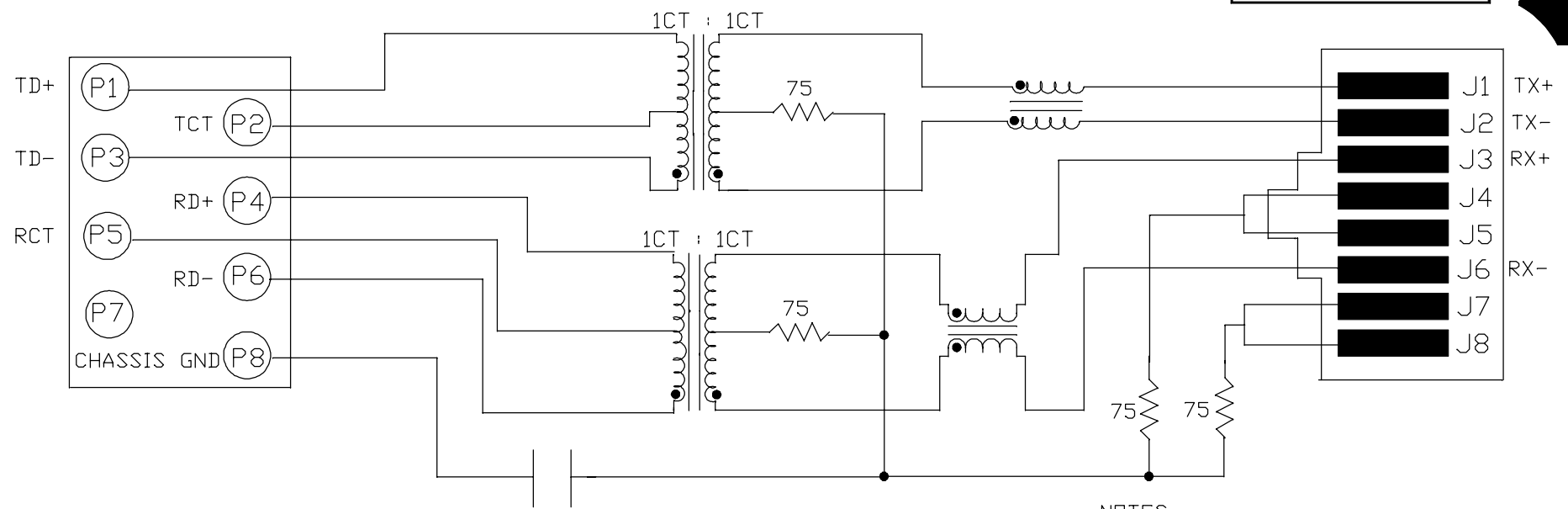


THE INFORMATION CONTAINED HEREIN IS CONSIDERED 'PROPRIETARY' TO BEL FUSE INC. AND SHALL NOT BE COPIED, REPRODUCED OR DISCLOSED WITHOUT THE WRITTEN APPROVAL OF BEL FUSE INC.

PRELIMINARY



ELECTRICAL SPECIFICATIONS:

- 1.0 TURNS RATIO: (P4-P5-P6) : (J3-J6) : 1CT : 1CT ± 3%
(P3-P2-P1) : (J1-J2) : 1CT : 1CT ± 3%
- 2.0 INDUCTANCE: (P4-P6) : 350uH MIN. @ 0.1V, 100KHz, 8mA DC Bias
(P3-P1) : 350uH MIN. @ 0.1V, 100KHz, 8mA DC Bias
- 3.0 LEAKAGE INDUCTANCE: P6-P4 (WITH J6 AND J3 SHORT) : 0.3 MAX. @ 1MHz
P3-P1 (WITH J2 AND J1 SHORT) : 0.3 MAX. @ 1MHz
- 4.0 INTERWINDING CAPACITANCE: (P6,P5,P4) TO (J6,J3) : 30pf MAX @ 1MHz
(P3,P2,P1) TO (J2,J1) : 30pf MAX. @ 1MHz
- 5.0 DC RESISTANCE:(J6-J3)=(J2-J1) : 1.35 ohms Max.

NOTES:

1.0 COMPLIES WITH THE EUROPEAN DIRECTIVE 2002/95/EC, CALLING FOR THE ELIMINATION OF LEAD AND OTHER HAZARDOUS SUBSTANCES FROM ELECTRONIC PRODUCTS.

ORIGINATED BY CHOW WANCHUNG DATE 2020-11-16		TITLE 10/100 BT MagJack® TAB UP, UNSHIELDED	PART NO. / DRAWING NO. SI-80055-F		STANDARD DIM. TOL. IN INCH [] METRIC DIM. AS REF.		REV. : 1 PAGE : 2
DRAWN BY XIE YIMING DATE 2020-11-16			FILE NAME SI-80055-F_1.DWG		UNIT : INCH [mm] SCALE : N/A SIZE : A4		

THE INFORMATION CONTAINED HEREIN IS CONSIDERED 'PROPRIETARY' TO BEL FUSE INC. AND SHALL NOT BE COPIED, REPRODUCED OR DISCLOSED WITHOUT THE WRITTEN APPROVAL OF BEL FUSE INC.

PRELIMINARY



6.0 RETURN LOSS: (P4-P6)=100 OHMS AND (P1-P3)=100 OHM REF.
 1MHz TO 30MHz : 18dB MIN.
 60MHz TO 80MHz : 12dB MIN.

NOTE: 100 OHMS CONNECTED TO (J2-J1) OR (J3-J6).

7.0 DIELECTRIC WITHSTAND: (J1, J2) TO (P1, P3) : 1500 VAC
 (J3, J6) TO (P4, P6) : 1500 VAC

8.0 INSERTION LOSS: RS=RL=100 ohms : 1.1 dB MAX
 100KHz TO 100MHz

9.0 RISE TIME: RS=100 OHMS AND RL = 100 OHMS : 3.0 nS MAX
 OUTPUT VOLTAGE = 1 V peak : 3.0 nS MAX
 PULSE WIDTH= 112nS

10.0 CROSS TALK: 1-100 MHz : 33 dB MIN

11.0 COMMON TO COMMON MODE ATTENUATION: 30MHz TO 100MHz : 33dB MIN

12.0 OPERATING TEMPERATURE: 0°C TO +70°C.

REV. : 1 PAGE : 3

ORIGINATED BY
 CHOW WANCHUNG
 DATE 2020-11-16
 DRAWN BY
 XIE YIMING
 DATE 2020-11-16

TITLE
 10/100 BT MagJack®
 TAB UP, UNSHIELDED

PART NO. / DRAWING NO.
 SI-80055-F
 FILE NAME
 SI-80055-F_1.DWG

STANDARD DIM. TOL. IN INCH	[] METRIC DIM. AS REF.
.X	UNIT : INCH [mm]
.XX	SCALE : N/A
.XXX	SIZE : A4



THE INFORMATION CONTAINED HEREIN IS CONSIDERED 'PROPRIETARY' TO BEL FUSE INC. AND SHALL NOT BE COPIED, REPRODUCED OR DISCLOSED WITHOUT THE WRITTEN APPROVAL OF BEL FUSE INC.

PRELIMINARY



NOTES:

1. CONNECTOR MATERIALS:

HOUSING: THERMOPLASTIC UL94 V-0

CONTACT/SHIELD: COPPER ALLOY

SHIELD PLATING: NICKEL OR TIN

CONTACT PLATING: 15 MICRO-INCH SELECTIVE HARD GOLD PLATING OR EQUIVALENT IN CONTACT AREA.

2. PIN NOT ELECTRICALLY CONNECTED MAYBE OMITTED.

SEE ELECTRICAL DRAWING FOR OMITTED PINS.

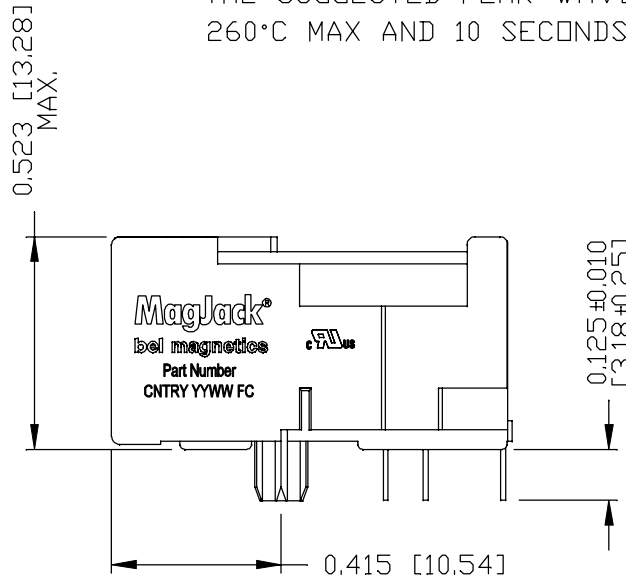
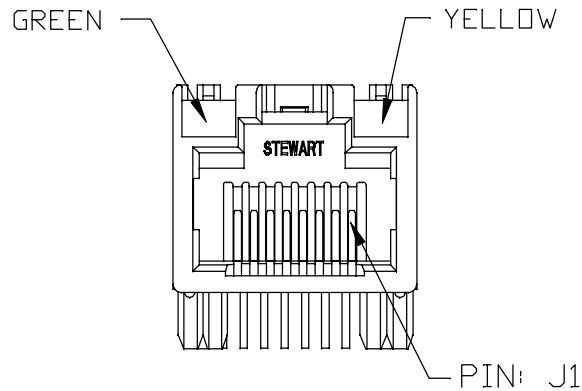
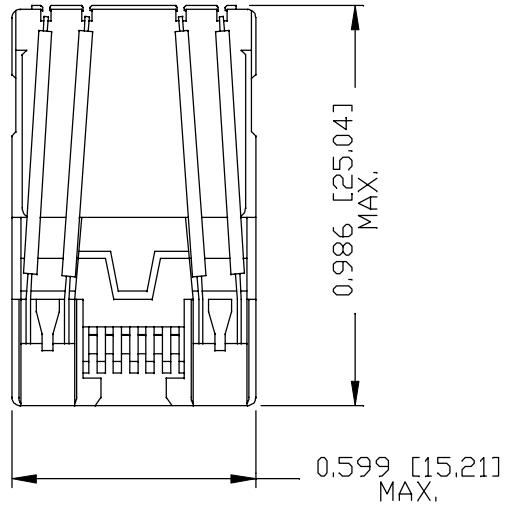
3. TOLERANCES COMPLY WITH F.C.C. DIMENSION REQUIREMENTS.

4. THE PRODUCT IS RoHS COMPLIANT.

UL RECOGNIZED - FILE #E474585.

5. THE PART IS RECOMMENDED FOR WAVE SOLDERING.

THE SUGGESTED PEAK WAVE SOLDERING CONDITION IS 260°C MAX AND 10 SECONDS MAX.



REV. : 1 PAGE : 4

ORIGINATED BY
SANDY LIN
DATE 2020-11-16

DRAWN BY
RUAN WENJUN
DATE 2020-11-16

TITLE
10/100 BT MagJack®
TAB UP, UNSHIELDED

PART NO. / DRAWING NO.
SI-80055-F

FILE NAME
SI-80055-F_1.DWG

STANDARD DIM. TOL. IN INCH		[] METRIC DIM. AS REF.
.X		UNIT : INCH [mm]
.XX		SCALE : N/A
.XXX	±0.005	SIZE : A4



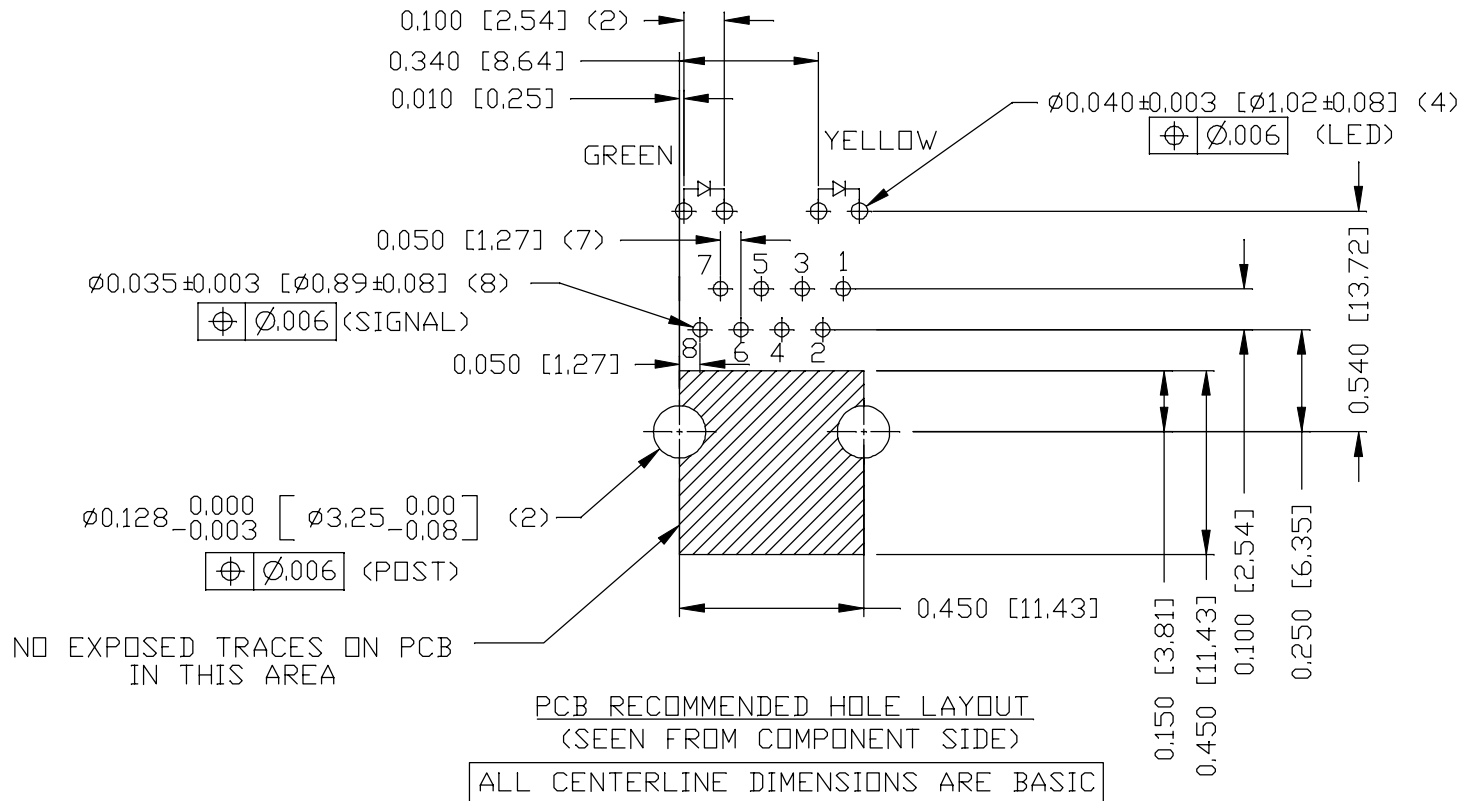
THE INFORMATION CONTAINED HEREIN IS CONSIDERED 'PROPRIETARY' TO BEL FUSE INC. AND SHALL NOT BE COPIED, REPRODUCED OR DISCLOSED WITHOUT THE WRITTEN APPROVAL OF BEL FUSE INC.

PRELIMINARY



LED SPECIFICATION			
STANDARD LED	WAVELENGTH	FORWARD V (MAX)	*(TYP)
GREEN	570 nm	2.5 V	2.2 V
YELLOW	590 nm	2.5 V	2.1 V

*WITH A FORWARD CURRENT OF 20 mA (TYP)



REV. : 1 PAGE : 5

ORIGINATED BY
SANDY LIN
DATE 2020-11-16
DRAWN BY
RUAN WENJUN
DATE 2020-11-16

TITLE
10/100 BT MagJack®
TAB UP, UNSHIELDED

PART NO. / DRAWING NO.
SI-80055-F
FILE NAME
SI-80055-F_1.DWG

STANDARD DIM. TOL. IN INCH	[] METRIC DIM. AS REF.
.X	UNIT : INCH [mm]
.XX	SCALE : N/A
.XXX ±0.005	SIZE : A4

