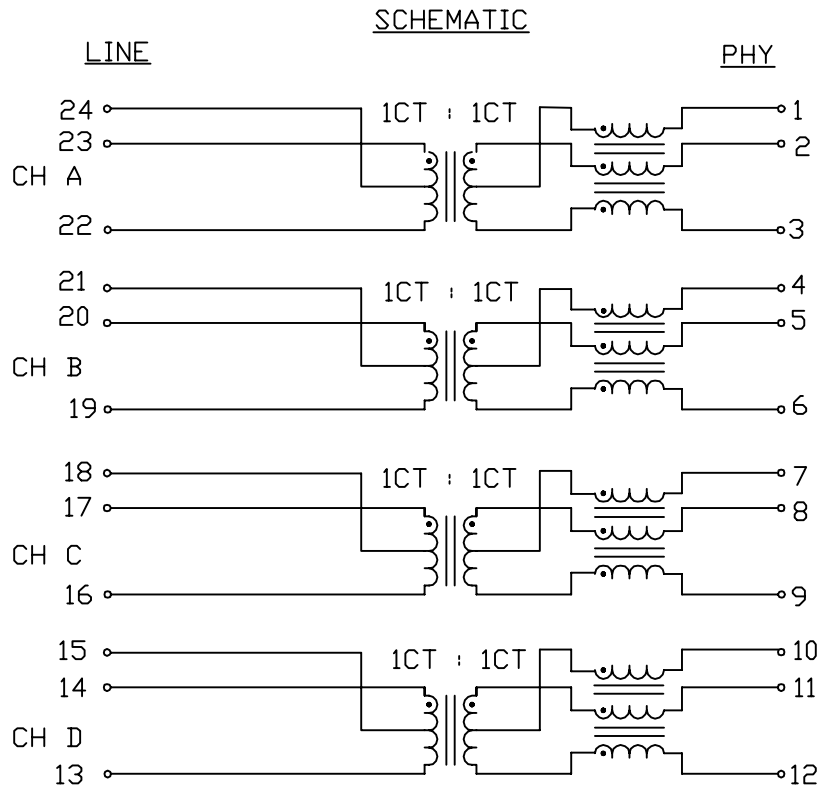


THE INFORMATION CONTAINED HEREIN IS CONSIDERED 'PROPRIETARY' TO BEL FUSE INC. AND SHALL NOT BE COPIED, REPRODUCED OR DISCLOSED WITHOUT THE WRITTEN APPROVAL OF BEL FUSE INC.

ELECTRICAL SPECIFICATION @25°C



TURNS RATIO
 (2-1-3) : (23-24-22)
 (5-4-6) : (20-21-19)
 (8-7-9) : (17-18-16)
 (11-10-12) : (14-15-13)

1CT : 1CT
 1CT : 1CT
 1CT : 1CT
 1CT : 1CT

POLARITY
 □CL
 @100kHz, 100mV, 23mA DC BIAS
 @100kHz, 100mV, 8mA DC BIAS

PER DOT CONVENTION

120uH MIN
 180uH MIN

HIPOT

2250VDC

INSERTION LOSS

| | | | | |
|-----------|-----|-------|-----|-----|
| FREQ(MHz) | 1 | 2-300 | 400 | 500 |
| MAX (dB) | 0.3 | 1.0 | 1.5 | 2.0 |

RETURN LOSS
 (100 OHM LINESIDE LOAD)

| | | | | | |
|-----------|----|-------|-----|-----|-----|
| FREQ(MHz) | 1 | 2-100 | 200 | 500 | 600 |
| MIN (dB) | 18 | 20 | 15 | 12 | 9 |

COMM. TO DIFF. MODE
 REJECTION

| | | | | | | |
|-----------|----|-----|-----|-----|-----|-----|
| FREQ(MHz) | 50 | 100 | 200 | 300 | 400 | 500 |
| MAX (dB) | 48 | 42 | 36 | 33 | 30 | 28 |

DIFF. TO COMM. MODE
 REJECTION

| | | | | | | |
|-----------|----|-----|-----|-----|-----|-----|
| FREQ(MHz) | 50 | 100 | 200 | 300 | 400 | 500 |
| MAX (dB) | 30 | 27 | 24 | 22 | 21 | 20 |

BALANCED DC LINE CURRENT: 1A MAXIMUM CONTINUOUS @57VDC

DESIGNED FOR EXTENDED TEMPERATURE 10G 100W 802.3BT APPLICATIONS

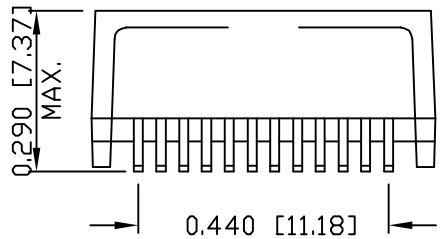
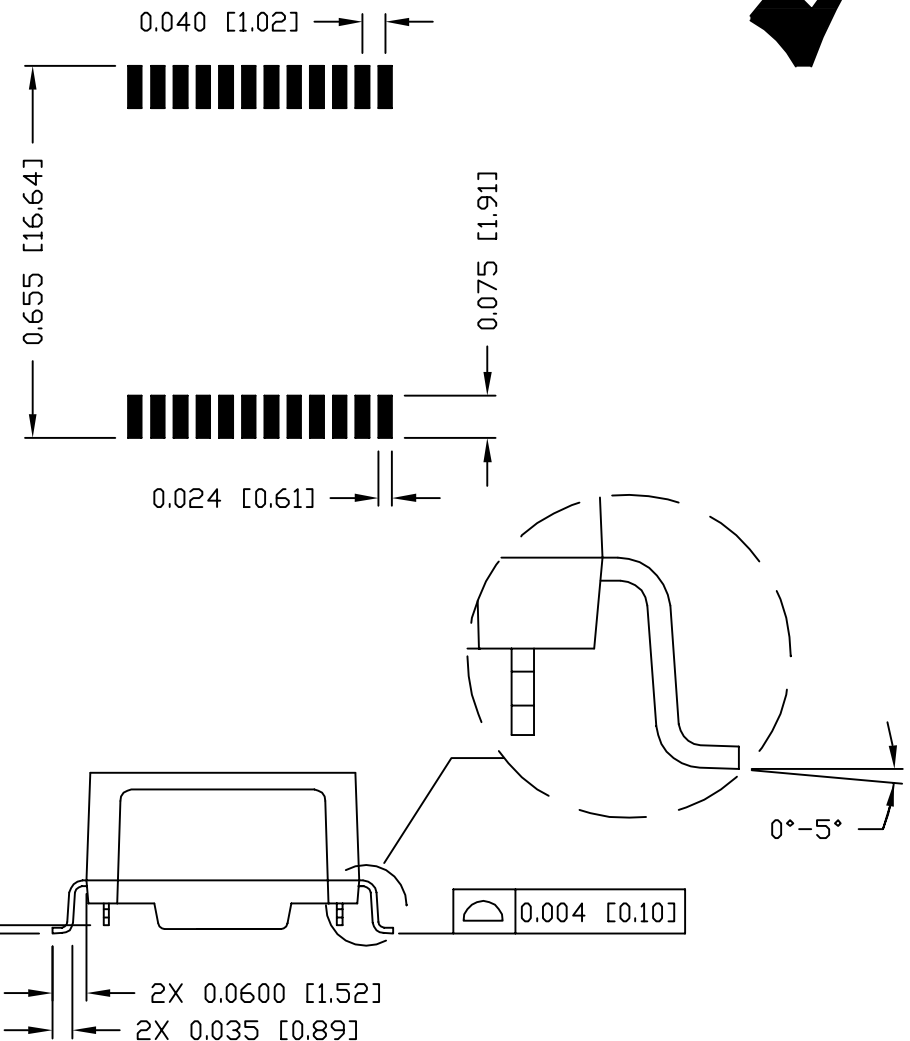
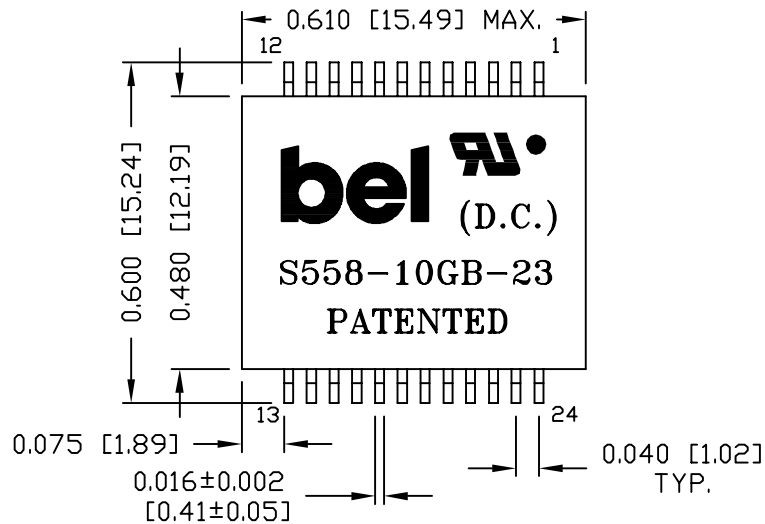
OPERATING TEMPERATURE : -40 TO 85°C

* INTERNAL USE ONLY

| | | | | | |
|---|-----------------------------------|--|--|---|---------------------------|
| ORIGINATED BY Alice Pang DATE 2020-01-21 | TITLE ELECTRICAL SPECIFICATION | PART NO. / DRAWING NO. S558-10GB-23 | STANDARD DIM. TOL. IN INCH .X .XX .XXX | [] METRIC DIM. AS REF. UNIT : INCH [mm] SCALE : N/A SIZE : A4 | REV. : PA PAGE : 2 |
| DRAWN BY ZC Guo DATE 2020-01-21 | | FILE NAME S55810GB23PA.DWG | | | |

THE INFORMATION CONTAINED HEREIN IS CONSIDERED 'PROPRIETARY' TO BEL FUSE INC. AND SHALL NOT BE COPIED, REPRODUCED OR DISCLOSED WITHOUT THE WRITTEN APPROVAL OF BEL FUSE INC.

SUGGESTED PCB PAD LAYOUT



NOTES:

- STANDARD MARKING REFER TO DOC. HAND-WORK-04.
- PACKAGE CODE: "QABS001".

| | | | | | | | |
|---------------------------------|--------------------|-----------------------------------|--|---|---|-----------|----------|
| ORIGINATED BY Lawrence Tsang | DATE 2020-01-21 | TITLE MECHANICAL SPECIFICATION | PART NO. / DRAWING NO. S558-10GB-23 | STANDARD DIM. TOL. IN INCH .X .XX ±0.01 .XXX ±0.005 | [] METRIC DIM. AS REF. UNIT : INCH [mm] SCALE : N/A SIZE : A4 | REV. : PA | PAGE : 3 |
| DRAWN BY ZC Guo | DATE 2020-01-21 | | FILE NAME S55810GB23PA.DWG | | | | |