

PART NUMBER
123-0901-801

REV	ECO	DATE
1	INITIAL RELEASE	16JUL2021

NOTES:

1. MATERIAL AND FINISH:

- 1.1 BODY: BERYLLIUM COPPER, GOLD PLATE
- 1.2 CONTACT: BERYLLIUM COPPER, GOLD PLATE
- 1.3 INSULATOR: PTFE

2. ELECTRICAL SPECIFICATIONS:

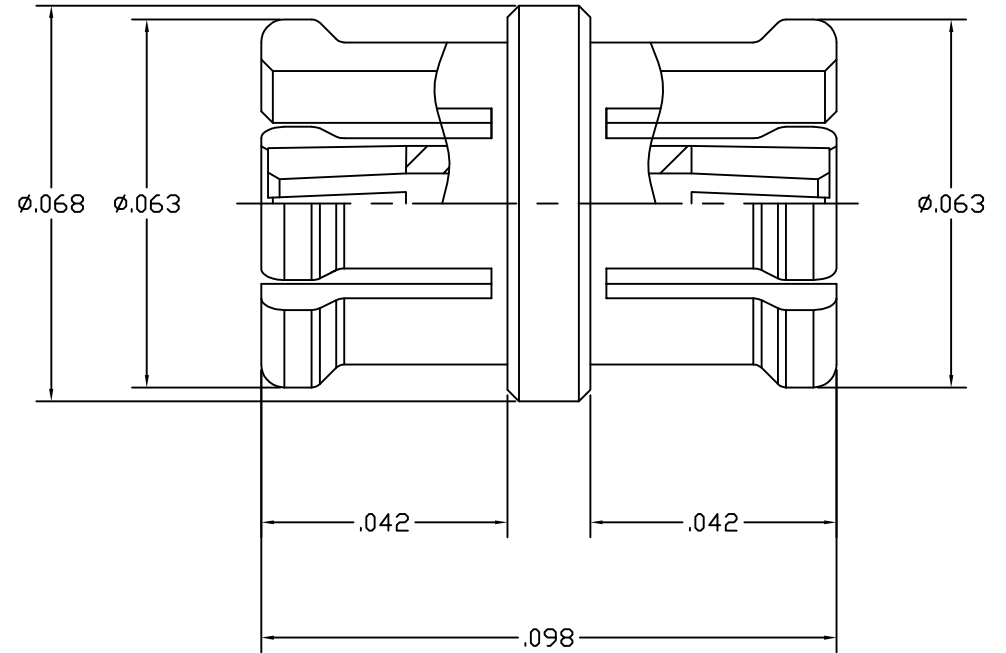
- 2.1 IMPEDANCE: 50 OHMS NOMINAL
- 2.2 FREQUENCY RANGE: DC~67 GHz
- 2.3 VSWR: 1.4 MAX
- 2.4 DIELECTRIC WITHSTANDING VOLTAGE: 250 VRMS MIN
- 2.5 INSULATION RESISTANCE: 3500 MEGOHM MIN
- 2.6 CONTACT RESISTANCE:
 - 2.6.1 CENTER CONTACT - 6.0 MILLIOHM MAX
 - 2.6.2 OUTER CONDUCTOR - 2.0 MILLIOHM MAX



3. MECHANICAL SPECIFICATIONS:

- 3.1 ENGAGEMENT FORCE: 3.5 LBS MAX (FULL DETENT)
1.6 LBS MAX (SMOOTH BORE)
- 3.2 DISENGAGEMENT FORCE: 2 LBS MAX (FULL DETENT)
0.5 LBS MAX (SMOOTH BORE)
- 3.3 DURABILITY: 100 CYCLES MIN (FULL DETENT)
500 CYCLES MIN (SMOOTH BORE)

4. ENVIRONMENTAL:

- 4.1 THERMAL SHOCK: MIL-STD-202, METHOD 107, CONDITION B
- 4.2 OPERATING TEMPERATURE: -65°C TO 165°C
- 4.3 MECHANICAL SHOCK: MIL-STD-202, METHOD 213, CONDITION I
- 4.4 VIBRATION: MIL-STD-202, METHOD 204, CONDITION D
- 4.5 CORROSION: MIL-STD-202, METHOD 101, CONDITION B



 <p>This PROPRIETARY Document is property of Cinch Connectivity Solutions. It is confidential in nature, non-transferable, and issued with the clear understanding that it is not traced or copied without permission and is returnable upon demand.</p> <p>INTERPRET DRAWING IN ACCORDANCE WITH ASME Y14.5-2009.</p>	Model No: 123-0901-801/810	JOHNSON		
	RoHS (EU)/2015/863 COMPLIANT	Cage Code	Title: SMP3 JACK TO SMP3 JACK BULLET ADAPTOR	
	UNLESS OTHERWISE SPECIFIED UNITS: INCH		Drawing No. 123-0901-801/810	REV. 1
	.XXX ±.008 .XXXX ±.004 ANGLES ±5°	Drawn by: TOMMY REN Date: 07/16/2021	Size B DO NOT SCALE DRAWING	Workmanship: NONE Sheet 1 OF 1