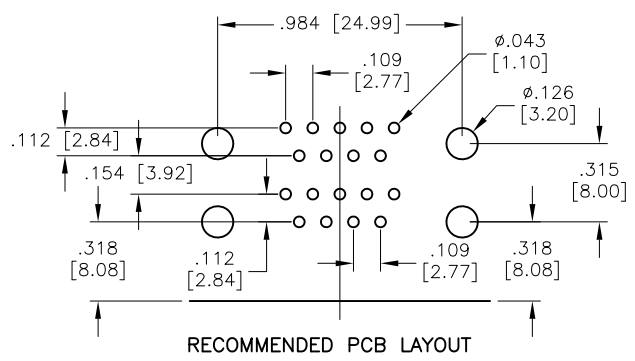
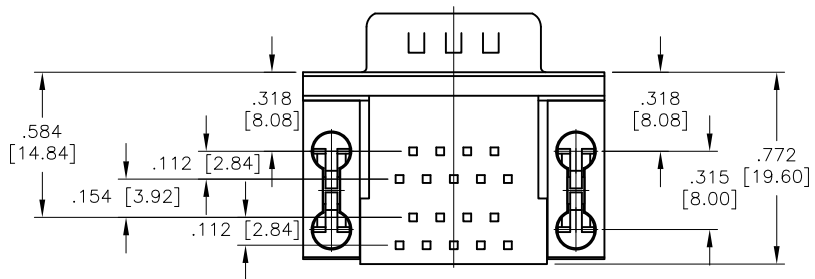
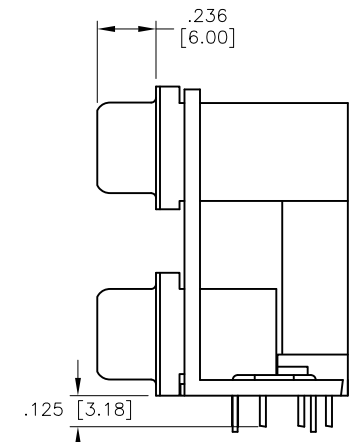
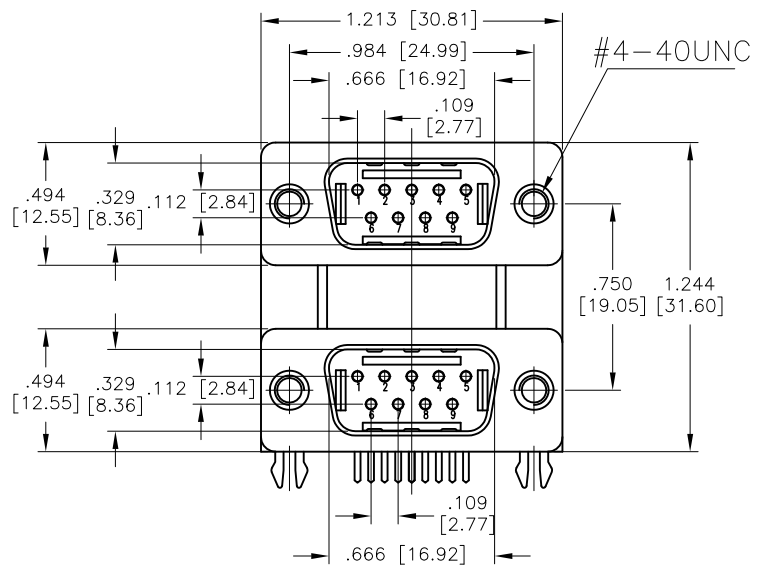


Rev	AWO #	Description	Date	Appr
-		RELEASED	1/23/18	

APPROVED: \_\_\_\_\_  
DATE: \_\_\_\_\_ TITLE: \_\_\_\_\_



**SPECIFICATIONS:**  
Material:  
Insulator: PBT, rated UL 94V-0  
Insulator color: Black  
Contacts: Copper Alloy  
Shell: SPCC, Nickel plated  
Boardlock: Copper Alloy, Tin, plated  
Bracket: Zinc Alloy, Nickel plated  
Plating:  
Gold over Nickel underplate on contact area,  
Tin over Nickel underplate on solder tails  
Electrical:  
Voltage: 250 VAC max  
Current rating: 3 Amp per Contact  
Contact resistance: 25 mohms max  
Insulation resistance: 5,000 Mohms min  
Dielectric withstanding voltage: 1000 VAC for 1 minute  
Temperature Rating:  
Operating temperature: -55°C to +85°C  
Environmental:  
Lead free, RoHS compliant



UNLESS OTHERWISE SPECIFIED  
ALL DIMENSIONS ARE MILLIMETERS  
TOLERANCES: EXCEPT AS NOTED

INCHES	HOLES
.X ± 0.25	
.XX ± 0.15	∅.XX ± 0.13
.XXX ± 0.05	

APPROVALS		DATE
DRAWN	AY	1/23/18
CHECKED	MY	1/23/18
APPROVED		

**ADAM TECH INTERCONNECTS** 909 Rahway Avenue, Union, NJ 07083  
Phone: 908-687-5000 Fax: 908-687-5710

TITLE	DUAL PORT D-SUB, 09 MALE / 09 MALE W/BOARDLOCKS		
SIZE	PART NO.	REV.	
X	DPD-09-11-B3	-	
REF:	S00027T	SCALE: NTS	SHEET 1 OF 1