



VRLA Rechargeable Battery

BP1.2-6 (BP1.2-6FR)



FEATURES

- Maintenance free(no water topping-up required).
- No free acid(Non-spillable battery).
- Low self-discharge rate, lower than 3% capacity loss per month.
- Can be used in any orientation(excluding used inverted).
- Absorbent Glass Mat technology for efficient gas recombination.

APPLICATION

- UPS
- Security
- Medical
- Lojack



SPECIFICATIONS

Nominal Voltage	6 V
Nominal Capacity	1.2Ah @ 20 hour rate F.V.(1.75V/cell)
Approx. Weight	300g(0.66lbs.)
Terminals	T1 (Faston Tab 187)
Internal Resistance	≤55m Ω (Fully Charged)
Max. Discharge Current	18 A (5 sec.)
Max. Charge Current	0.36 A
Operating Temperature Range	Charge : 0°C~40°C(32°F~104°F) Discharge : -20°C~50°C(-4°F~122°F) Storage. : -20°C~40°C(-4°F~104°F)
Container Material	ABS(UL94-HB, UL94-V0 is optional)

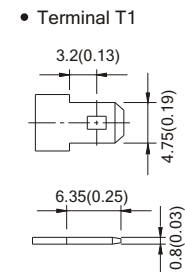
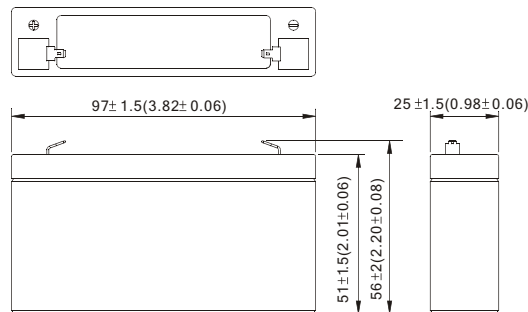
ISO 9001	
ISO14001	
UL	
CE	
<ul style="list-style-type: none"> ● IEC 61056-1 ● JIS C 8702-1 ● GB/T 19639.1 	

DIMENSION(mm/inch)

OUTER DIMENSIONS

TERMINAL TYPE

- **Length**
97±1.5 (3.82±0.06)
- **Width**
25±1.5 (0.98±0.06)
- **Container Height**
51±1.5 (2.01±0.06)
- **Total Height**
56±2.0 (2.20±0.08)



Constant power discharge characteristics at 25 °C/77 °F

Unit: W

Discharge Time F.V. (V/cell)	5 Min	10 Min	15 Min	30 Min	1 Hr	3 Hr	5 Hr	10 Hr	20 Hr
1.80V	21.69	15.97	12.80	7.61	4.367	1.749	1.206	0.674	0.355
1.75V	25.11	17.30	13.39	7.90	4.498	1.784	1.224	0.684	0.360
1.70V	26.68	17.92	13.80	8.08	4.579	1.800	1.231	0.687	0.360
1.65V	27.88	18.35	14.12	8.20	4.634	1.813	1.235	0.689	0.360
1.60V	28.80	18.72	14.40	8.28	4.680	1.823	1.239	0.689	0.360

Constant current discharge characteristics at 25 °C/77 °F

Unit: A

Discharge Time F.V. (V/cell)	5 Min	10 Min	15 Min	30 Min	1 Hr	3 Hr	5 Hr	10 Hr	20 Hr
1.80V	3.91	2.81	2.23	1.291	0.734	0.291	0.201	0.112	0.059
1.75V	4.61	3.05	2.33	1.340	0.756	0.297	0.204	0.114	0.060
1.70V	4.89	3.16	2.40	1.370	0.770	0.300	0.205	0.115	0.060
1.65V	5.11	3.23	2.46	1.389	0.779	0.302	0.206	0.115	0.060
1.60V	5.28	3.30	2.50	1.403	0.787	0.304	0.206	0.115	0.060

All data shall be changed without prior notice, BB reserves the right to explain and update the information contained hereinto.