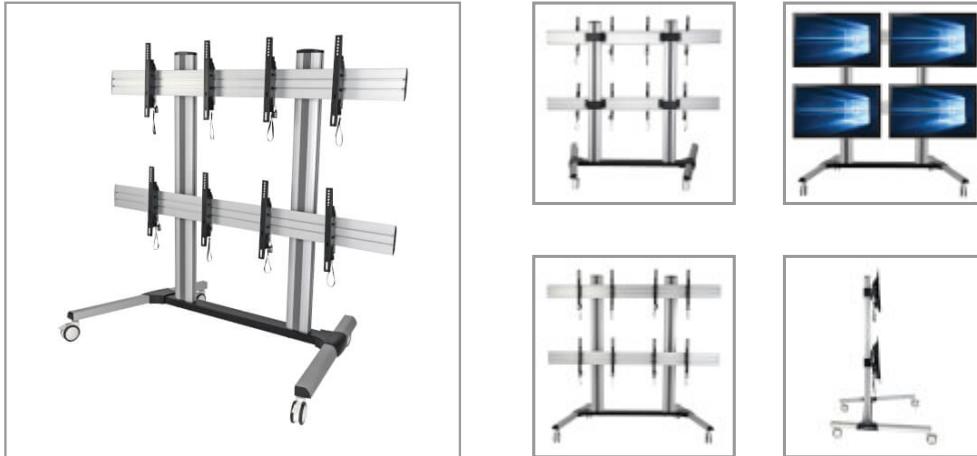


Mobile Quad-Screen Video Wall – For Four 45" to 55" TVs and Monitors, Heavy Duty

MODEL NUMBER: DMCVW4555X4



Quad-screen mobile cart supports mounting of four flat-panel televisions or monitors to create a portable video wall.

Features

Create a Mobile Video Wall with Four Flat-Panel DisplaysThe DMCVW4555X4 provides a convenient way to create a quad-screen video wall for a presentation or temporary digital signage and bring it to audiences in classrooms, lecture halls, offices, auditoriums, conference rooms and other locations where video resources are shared. Made primarily of steel and aluminum, this rolling video wall accommodates most flat-panel televisions or monitors from 45 to 55 inches that weigh up to 132 lbs (59.9 kgs)

Effectively Share a Quad-Screen Video WallFour sturdy swivel casters provide smooth rolling through doorways and over thresholds, making it possible to share quad screens within a facility instead of purchasing multiple setups. When not in use, the cart can be rolled into a secure area for storage. Two of the casters lock to keep the cart in position while at rest. Cable management openings in the main columns allow you to route power and audio/video cords, reducing clutter for a clean, professional look.

Easily Mount 45" to 55" Displays and Deter TheftFor hassle-free display compatibility, this rolling video wall supports the following VESA mounting hole patterns: 200 x 200, 200 x 300, 200 x 400, 300 x 200, 300 x 300, 300 x 400, 400 x 200, 400 x 300, 400 x 400, 500 x 200, 500 x 300, 500 x 400, 600 x 300 and 600 x 400. Fine adjustments can be made to the position of the displays using a hex key (included). The height of both mounting plates is adjustable, and the top displays can be raised up to 67.7 inches above the floor. Three-position combination locks (included) secure the brackets to deter theft of the displays.

Specifications

OVERVIEW	
UPC Code	037332239426
Device Compatibility	Monitor/HDTV; Projector
PHYSICAL	

Highlights

- Accommodates most flat-panel displays from 45 to 55 in.
- Display height adjusts up to 67.7 in. (top displays)
- Combination locks secure brackets to help deter theft of displays
- Large swivel casters roll smoothly over carpet
- Supports up to 132 lbs (59.9 kgs) per display

Applications

- View video in a multipurpose area where a permanent installation is not practical
- Move a video wall into a meeting room for a presentation
- Advertise a special event without permanently mounting screens
- Roll a temporary digital signage installation into an auditorium
- Easily move a video wall to a secure area for storage between events

Package Includes

- All DMCVW4555X4 components (assembly required)
- Assembly fasteners
- Display mounting fasteners
- (4) Three-position combination locks
- Hex keys
- Wrench
- Owner's manual

Color	Black; Silver
Material of Construction	steel
VESA Pattern (mm)	200x200; 200x300; 200x400; 300x200; 300x300; 300x400; 400x200; 400x300; 400x400; 500x200; 500x300; 500x400; 600x300; 600x400
Motion	Fixed
Mounting Location	Floor
Maximum Weight Capacity (lbs.)	528
Maximum Weight Capacity (kg)	240
Number of Displays	4
Shipping Dimensions (hwd / in.)	9.25 x 18.90 x 79.50
Shipping Dimensions (hwd / cm)	23.50 x 48.01 x 201.93
Shipping Weight (lbs.)	150.50
Shipping Weight (kg)	68.27
Unit Dimensions (hwd / in.)	67.700 x 75.800 x 41.330
Unit Dimensions (hwd / cm)	171.96 x 83.57 x 70.10
Unit Weight (lbs.)	69.4
Unit Weight (kg)	31.48
FEATURES & SPECIFICATIONS	
Cord Management	Yes
Tools Necessary	Yes
Security Lock	No
WARRANTY & SUPPORT	
Product Warranty Period (Worldwide)	5-year limited warranty