

TABLE 1 C				
ITEM	COMPONENT	-HG	-HF	-GF
1	SHELL	DINA-J-P-G-ST-TH1-SHL	DINA-J-P-F-ST-TH1-SHL	
2	INSULATOR	DIN7A-J-P-ST-TH1-INS		
3	SOCKET	DIN7A-J-P-H-ST-TH1-SKT	DIN7A-J-P-H-ST-TH1-SKT	DIN7A-J-P-G-ST-TH1-SKT

SERIES
7A: 75 OHM DIN 1.0/2.3

GENDER
-J: JACK

TYPE
-P: PCB

TERMINATION
-TH: THROUGH HOLE

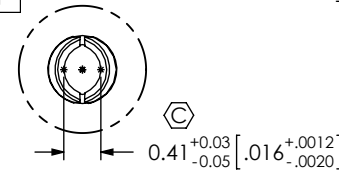
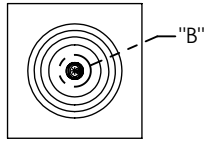
ORIENTATION
-ST: STRAIGHT

PLATING SPECIFICATION C

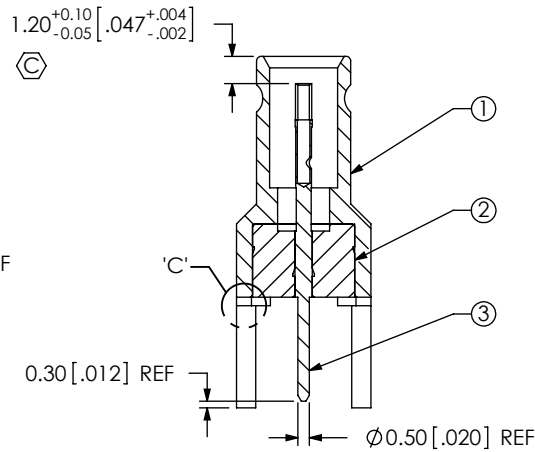
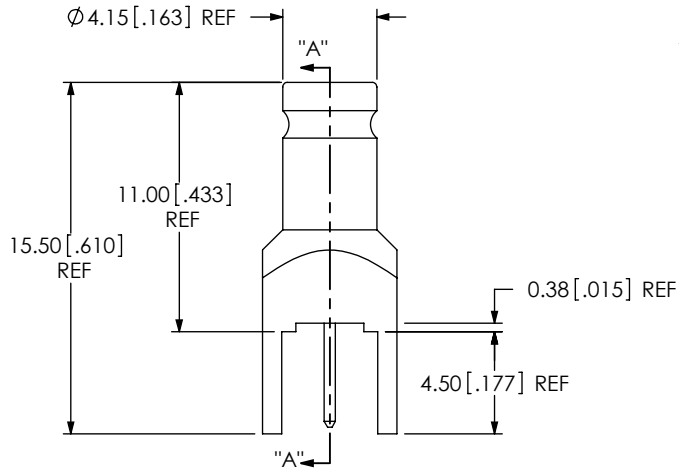
-HG: 30µ" GOLD CENTER CONTACT,
10µ" GOLD OUTER CONTACT

-HF: 30µ" GOLD CENTER CONTACT,
3µ" GOLD OUTER CONTACT

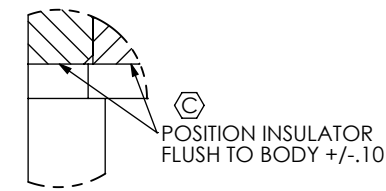
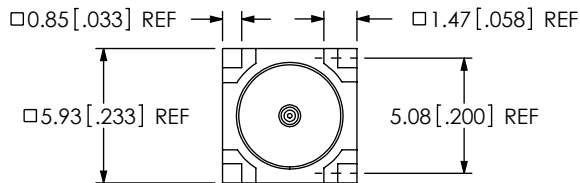
-GF: 10µ" GOLD CENTER CONTACT,
3µ" GOLD OUTER CONTACT
(SEE TABLE 1)



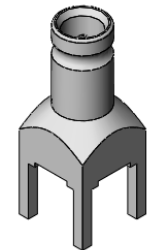
DETAIL "B"
SCALE 12:1



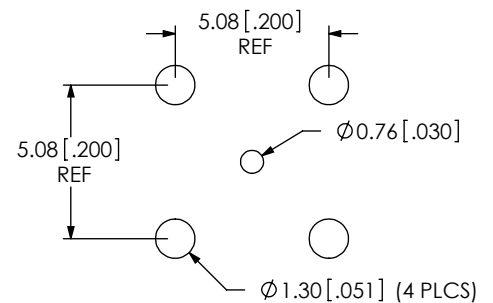
SECTION "A"- "A"



DETAIL 'C'
SCALE 12:1



RECOMMENDED PCB LAYOUT



NOTES:

1. © REPRESENTS A CRITICAL DIMENSION.
2. PUSHOUT FORCE FOR INSULATOR: 20 N [4.5 LB] MIN.
3. PUSHOUT FORCE FOR CENTER CONTACT: 10 N [2.25 LB] MIN.
4. PRODUCT TO BE PACKAGED PER PACKAGING STANDARD CO-HD-WI-3040-M USE SAMTEC TRAY TY-SMA001-1 AND TY-SMA001-2.
5. DELETED.
6. DELETED.
7. DELETED.

UNLESS OTHERWISE SPECIFIED,
DIMENSIONS ARE IN MILLIMETERS.
TOLERANCES ARE:
DECIMALS ANGLES
X.X: ±0.3 [.01] 5°
X.XX: ±0.13 [.005]
X.XXX: ±0.051 [.0020]

PROPRIETARY NOTE
THIS DOCUMENT CONTAINS INFORMATION
CONFIDENTIAL AND PROPRIETARY TO
SAMTEC, INC. AND SHALL NOT BE REPRODUCED
OR TRANSFERRED TO OTHER DOCUMENTS OR
DISCLOSED TO OTHERS OR USED FOR ANY
PURPOSE OTHER THAN THAT WHICH IT WAS
OBTAINED WITHOUT THE EXPRESSED WRITTEN
CONSENT OF SAMTEC, INC.



520 PARK EAST BLVD., NEW ALBANY, IN 47150
PHONE: 812-944-6733 FAX: 812-948-5047
e-Mail: info@SAMTEC.com code 55322

MATERIAL: DO NOT SCALE DRAWING SHEET SCALE: 3:1

SHELL: BRASS
CONTACT: COPPER ALLOY
DIELECTRIC: PTFE

DESCRIPTION:
DIN 10./2.3, TRUE 75 OHM, ST, THROUGH HOLE JACK

DWG. NO. **DIN7A-J-P-XX-ST-TH1**

BY: TALON Z 12/02/2009 SHEET 1 OF 1