



## Main

Range of Product	Telemecanique Emergency stop rope pull switches XY2C
Product or Component Type	Dual emergency stop rope pull switch
Device short name	XY2CED
Housing colour	Red RAL 3000
Overvoltage category	Class I EN/IEC 61140

## Complementary

Local signalling	Without pilot light
Number of cables	2
Trigger cable maximum length	2 x 328.08 ft (100 m)
Bellow material	Nitril
Body Material	Zamak
Cover Material	Stainless steel
Reset	By booted push-button
Contacts type and composition	2 x (1 NC + 1 NO)
Contact operation	Slow-break
Trigger cable anchor point	RH and LH sides
Connections - terminals	Screw clamp terminal, 1 x 0.5...2 x 1.5 mm <sup>2</sup>
Tightening torque	7.08...10.62 lbf.in (0.8...1.2 N.m)
Cable entry number	3 plain hole Pg 13.5 or ISO M20 cable gland
Safety level	Can reach PL = e with the appropriate monitoring system and correctly wired EN/ISO 13849-1 Can reach category 4 with the appropriate monitoring system and correctly wired EN/ISO 13849-1 Can reach SIL 3 with the appropriate monitoring system and correctly wired EN/IEC 61508
Safety reliability data	B10d = 300000 value given for a life time of 20 years limited by mechanical or contact wear IEC 60947-5-5
Marking	CE
Mechanical durability	60000 cycles
Distance between cable supports	9.84...16.40 ft (3...5 m)
[Ie] rated operational current	3 A 240 V, AC-15, A300 EN/IEC 60947-5-1 appendix A 0.27 A 250 V, DC-13, Q300 EN/IEC 60947-5-1 appendix A
[Ithe] conventional enclosed thermal current	10 A
[Ui] rated insulation voltage	500 V 3)EN/IEC 60947-1 300 VUL 508 300 VCSA C22.2 No 14
[Uimp] rated impulse withstand voltage	6 kV EN/IEC 60947-1
Positive opening	With EN/IEC 60947-5-1
Maximum resistance across terminals	25 MOhm EN/IEC 60255-7 category 3
Short-circuit protection	10 A cartridge fuse gG EN/IEC 60269
Terminals description ISO n°1	(13-14)NO (21-22)NC

Net Weight	4.19 lb(US) (1.9 kg)
Compatibility code	XY2CED

## Environment

Standards	EN/ISO 13850 EN/IEC 60947-5-1 Work equipment directive 2009/104/EC UL 508 Machinery directive 2006/42/EC EN/IEC 60947-5-5 CSA C22.2 No 14 EN/IEC 60204-1
Product certifications	UL category NISD emergency stop devices CSA CCC EAC
Protective treatment	TC
Ambient Air Temperature for Operation	-13...158 °F (-25...70 °C)
Ambient Air Temperature for Storage	-40...158 °F (-40...70 °C)
Vibration resistance	10 gn 10...300 Hz)EN/IEC 60068-2-6
Shock resistance	50 gn 11 ms EN/IEC 60068-2-27
IP degree of protection	IP66 IEC 60529

## Ordering and shipping details

Category	22441-LIMIT SWITCHES,CABLE PULL
Discount Schedule	T
GTIN	3606480879999
Nbr. of units in pkg.	1
Package weight(Lbs)	4.33 lb(US) (1.965 kg)
Returnability	No
Country of origin	MA

## Packing Units

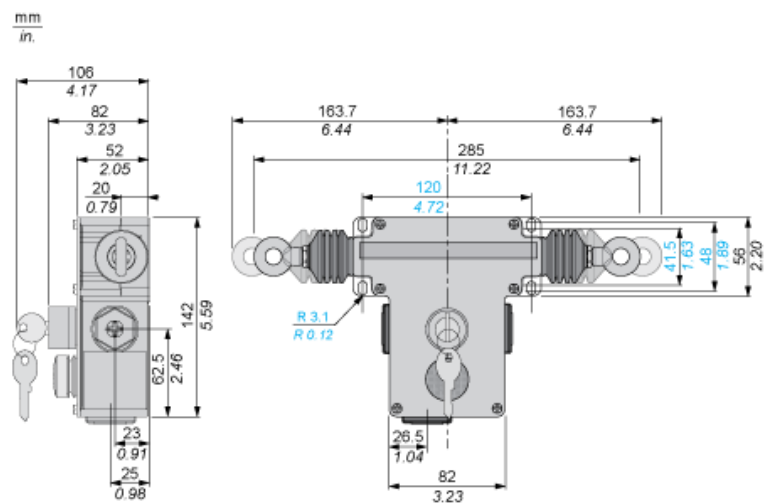
Unit Type of Package 1	PCE
Package 1 Height	4.17 in (10.6 cm)
Package 1 width	6.30 in (16 cm)
Package 1 Length	12.13 in (30.8 cm)
Unit Type of Package 2	S03
Number of Units in Package 2	4
Package 2 Weight	18.53 lb(US) (8.405 kg)
Package 2 Height	11.81 in (30 cm)
Package 2 width	11.81 in (30 cm)
Package 2 Length	15.75 in (40 cm)
Package 3 Height	30.31 in (77 cm)

## Offer Sustainability

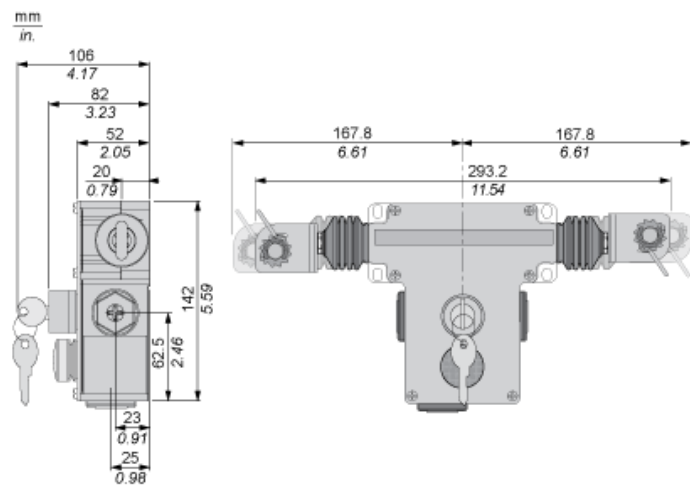
Sustainable offer status	Green Premium product
California proposition 65	WARNING: This product can expose you to chemicals including: Diisononyl phthalate (DINP), which is known to the State of California to cause cancer, and Di-isodecyl phthalate (DIDP), which is known to the State of California to cause birth defects or other reproductive harm. For more information go to <a href="http://www.P65Warnings.ca.gov">www.P65Warnings.ca.gov</a>
REACH Regulation	<a href="#">REACH Declaration</a>
EU RoHS Directive	Pro-active compliance (Product out of EU RoHS legal scope) <a href="#">EU RoHS Declaration</a>
Mercury free	Yes
RoHS exemption information	<a href="#">Yes</a>
Environmental Disclosure	<a href="#">Product Environmental Profile</a>

Dimensions

Without Tensioner



With Tensioners



Electrical Curves

AC Supply 50/60 Hz.  $\sim$  Inductive Circuit

2-pole Contact Block



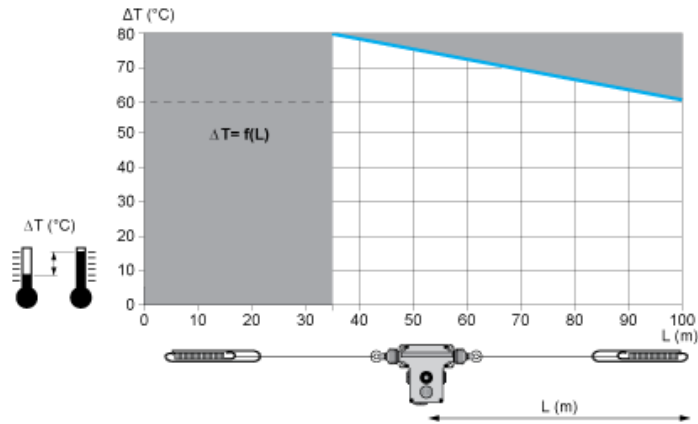
(y) Millions of operating cycles  
(x) Current in A

DC Supply. Power Broken in W for 1 Million Operating Cycles.  $\sim$  Inductive Circuit

Voltage	V	24	48	120
$\sim$	W	13	9	7

Mounting and Clearance

Adjustment Values (With End Spring)



In Prohibited zone  
grey :