

LTC3310-1

3.3V to 1.0V at 10A, 2MHz Automotive Low EMI Buck Regulator in a 2.11cm² Solution

DESCRIPTION

Demonstration Circuit 3043A shows the [LTC3310-1](#) 10A, 1V fixed output, synchronous step-down Silent Switcher® operating as a 2MHz 3.3V to 1.0V 10A buck regulator. The LTC3310-1 supports operating frequencies from 500kHz up to 5MHz. The LTC3310-1 is a compact, ultralow emission, high efficiency, and high speed synchronous monolithic step-down switching regulator. The LTC3310-1 has Active Voltage Positioning (AVP) where the output voltage is dependent on load current. At light loads the output voltage is regulated above the nominal value. At full load the output voltage is regulated below the nominal value. The DC load regulation is adjusted to improve transient performance and reduce output capacitor requirements.

DC3043A is set up to run in forced continuous mode with a 2MHz switching frequency but can be configured to pulse skip mode and different switching frequencies. RT is connected to VIN which sets the MODE/SYNC pin as an input and allows the LTC3310-1 to sync from an external clock. Connecting the MODE/SYNC pin to VIN sets the

mode to pulse skip mode and connecting the MODE/SYNC pin to GND sets the mode to forced continuous mode.

The DC3043A also has an EMI filter to reduce conducted EMI. This EMI filter can be included by applying the input voltage at the VIN EMI terminal. The EMI performance of the board is shown in the EMI TEST RESULTS section. The red lines in the EMI performance graphs illustrate the CISPR25 Class 5 peak limits for the conducted and radiated emission tests.

The LTC3310S/LTC3310-1 data sheet gives a complete description of the part, operation and application information. The data sheet must be read in conjunction with this demo manual. The LTC3310-1 is assembled in a 3mm × 3mm LQFN package with exposed pad for low thermal resistance. The layout recommendations for low EMI operation and maximum thermal performance are available in the data sheet section Low EMI PCB Layout.

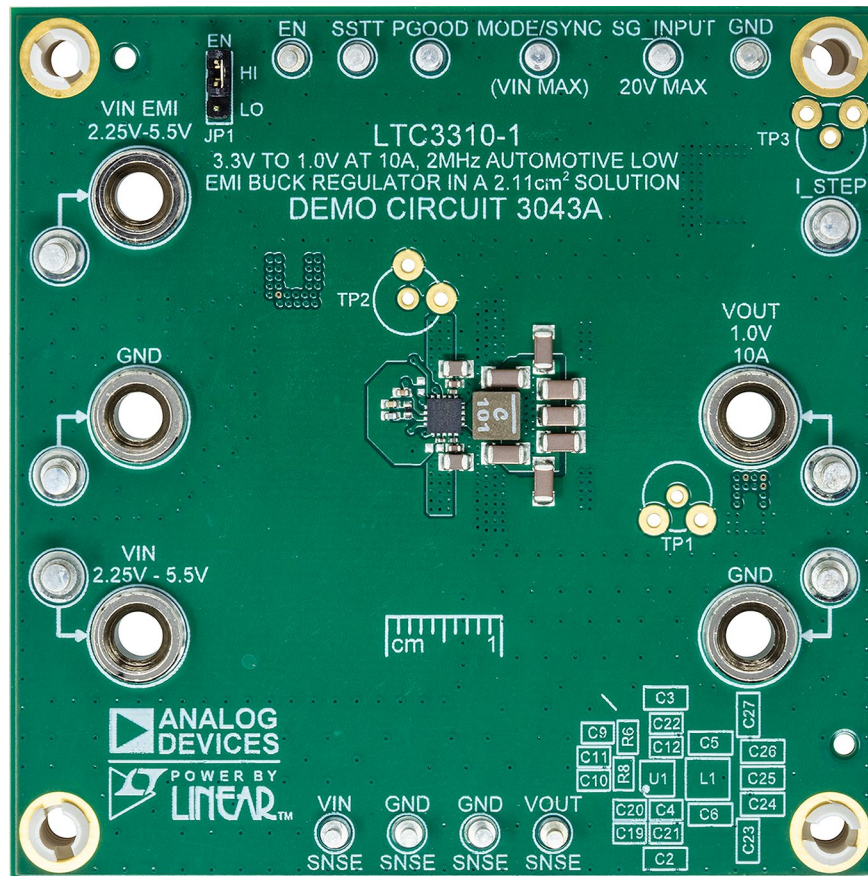
[Design files for this circuit board are available.](#)

All registered trademarks and trademarks are the property of their respective owners.

PERFORMANCE SUMMARY Specifications are at T_A = 25°C

PARAMETER	CONDITIONS	MIN	TYP	MAX	UNITS
DC3043A Input Voltage Range		2.25		5.5	V
DC3043A V _{OUT} Voltage Range	I _{OUT} = 4A		1.0		V
DC3043A Output Current				10	A
Switching Frequency		1.8	2.0	2.2	MHz
V _{OUT} Active Voltage Positioning		1.7	2.4	3.1	mV/A

BOARD PHOTO



QUICK START PROCEDURE

Demonstration circuit 3043A is easy to set up and evaluate the performance of the LTC3310-1. Refer to Figure 1 for proper measurement equipment setup and follow the procedure below:

NOTE: For accurate V_{IN} , V_{OUT} and efficiency measurements, measure V_{IN} at the VIN SNSE and GND SNSE turrets and V_{OUT} at the VOUT SNSE and GND SNSE turrets as illustrated as VM1 and VM2 in Figure 1. When measuring the input or output voltage ripple, care must be taken to avoid a long ground lead on the oscilloscope probe. Measure the output voltage ripple by touching the probe tip directly across the output turrets or to TP1 as shown in Figure 2.

1. Set the JP1 Jumper to the HI position.
2. With power off, connect the input power supply to VIN and GND. If the input EMI filter is desired, connect the input power supply to VIN EMI and GND. Connect LD1 with the load set to 0A.
3. Slowly increase PS1 to 1V. If AM1 reads less than 20mA, increase PS1 to 3.3V. Verify that VM1 reads 3.3V and VM2 reads 1.2V. Record VM1, VM2, VM3 AM1 and AM2. Connect an oscilloscope voltage probe as shown in Figure 2. Set Channel to AC-coupled, voltage scale to 20mV and time base to 10 μ s. Record V_{OUT} ripple voltage. Verify that PGOOD voltage is above 3V. Calculate Die temperature using formula below:

$$T_J(^{\circ}\text{C}) = \frac{V_{SSTT}}{4\text{mV}} - 273$$

4. Increase the load by 1A intervals up to 10A and observe the voltage output regulation, ripple voltage, and the voltage on the SSTT turret.
5. If Pulse Skip Mode is desired, set PS1 to 0V. Install a 0 Ω in the R5 location or short the MODE/SYNC turret to VIN. Repeat steps 1 through 4. In step 4 observe that the switching waveform is now operating in Pulse Skip Mode at low currents.

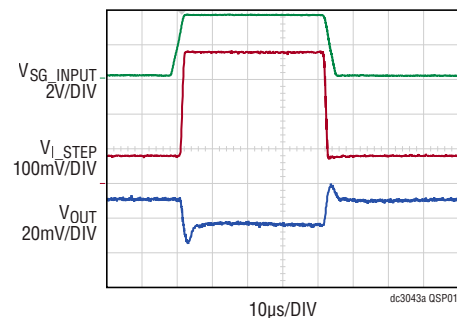
6. To change the frequency, remove R4 and install the desired RT resistor in the R6 location. Note, the MODE/SYNC pin is an output when R6 is installed and the MODE/SYNC pin should have high impedance to GND and VIN. Size the inductor, output capacitors and compensation components to provide the desired inductor ripple and a stable output.
7. To test the transient response with a base load, add the desired resistor to produce a minimum load between VOUT and I_STEP turrets (RL shown on Figure 1). Note that the total load resistance will be RL plus R10 (50m Ω). Adjust a signal generator with a 10ms period, 10% duty cycle and an amplitude from 1V to 2V to start.
8. Measure the I_STEP voltage to observe the current, $V_{I_STEP}/50\text{m}\Omega$. Adjust the amplitude of the pulse to provide the desired transient. Adjust the rising and falling edge of the pulse to provide the desired ramp rate. The Load Transient Response Measurement plot shows a load step from 1.5A (RL = 0.62 Ω) to 7.5A.

$$I_{OUT} = \frac{V_{I_STEP}}{50\text{m}\Omega}$$

$$V_{GS} = V_{SG_INPUT} - V_{I_STEP}$$

9. When done, turn off SG1, PS1 and Load. Remove all connections to demo board.

Load Transient Response Measurement



LTC3310-1
3.3V_{IN} TO 1V_{OUT}
LOADSTEP 1.5A TO 7.5A 6A/ μ s

QUICK START PROCEDURE

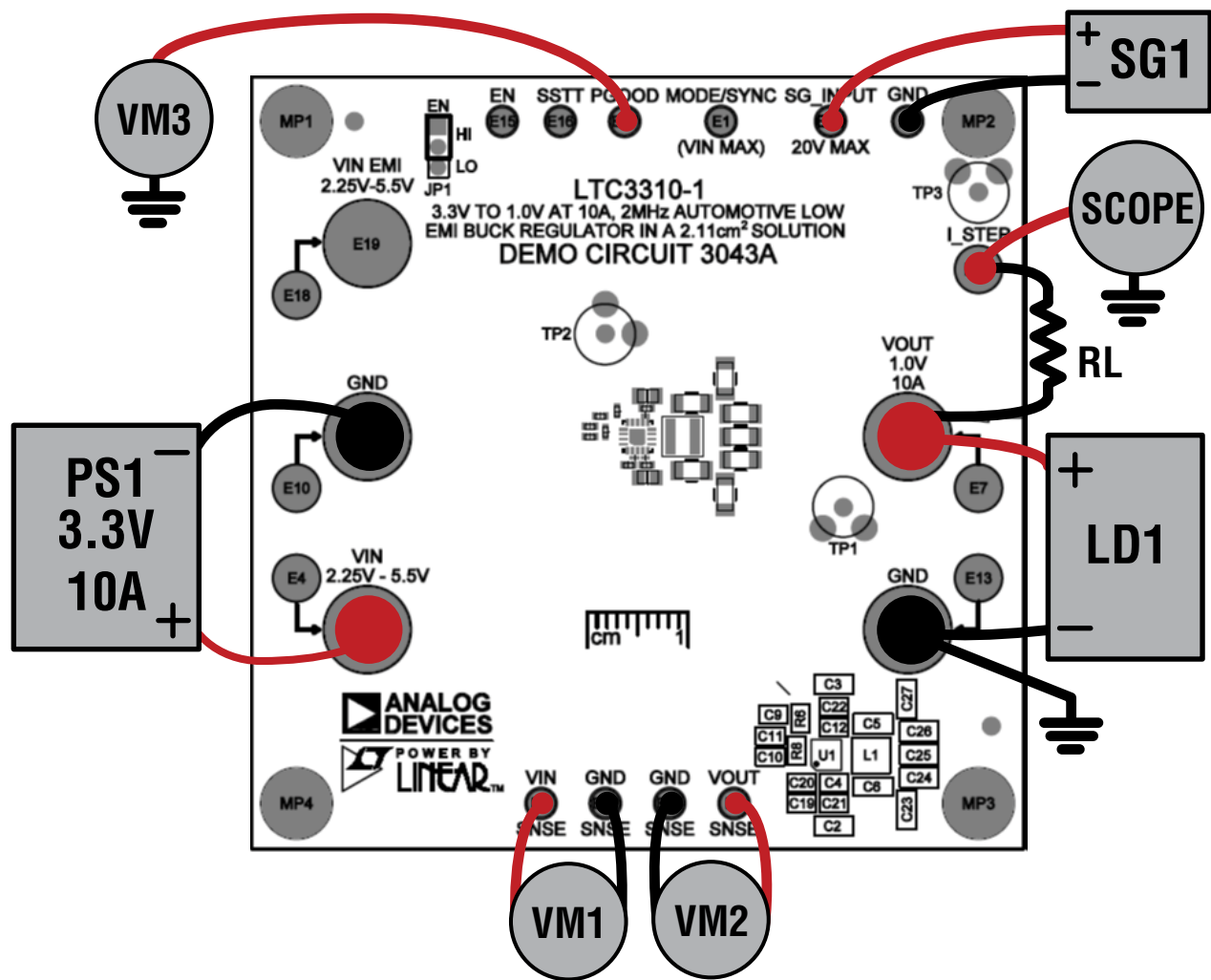


Figure 1. Test Setup for the DC3043A Demo Board

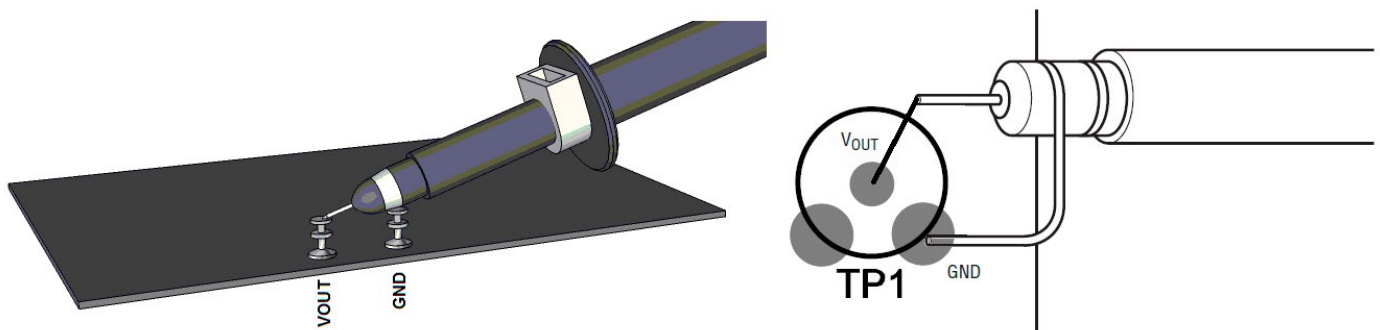
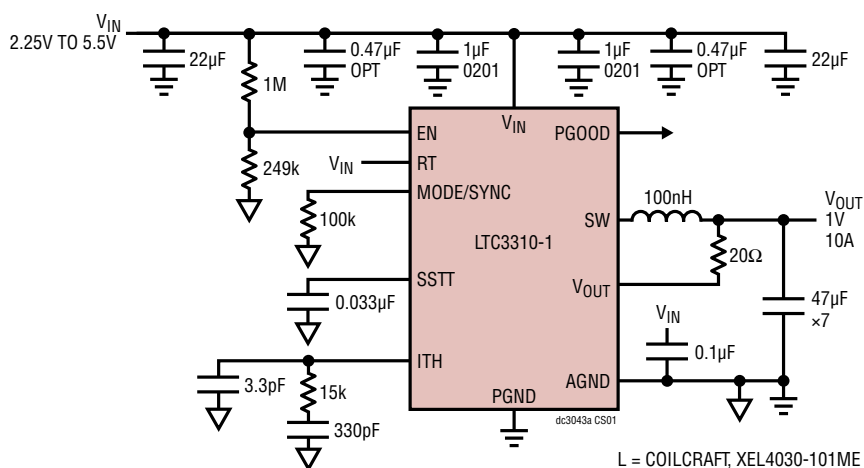
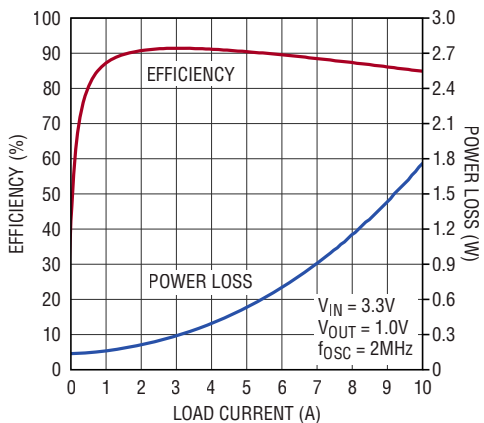


Figure 2. Technique for Measuring Output Ripple and Step Response

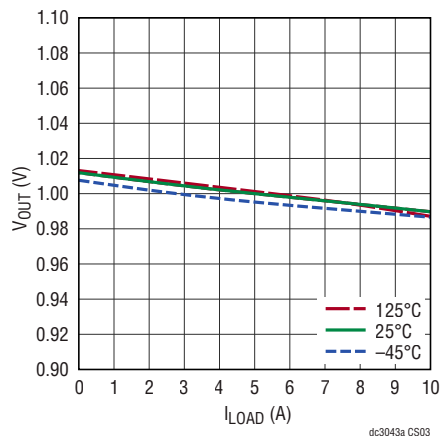
CIRCUIT SCHEMATIC



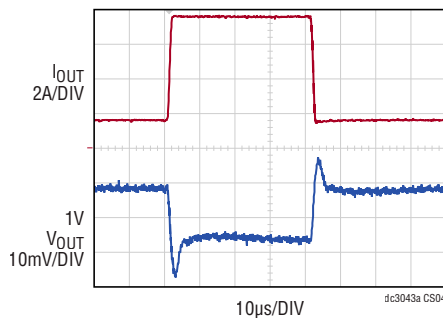
Efficiency and Power Loss vs Load Current



V_{OUT} Load Regulation (LTC3310S-1, LTC3310-1)



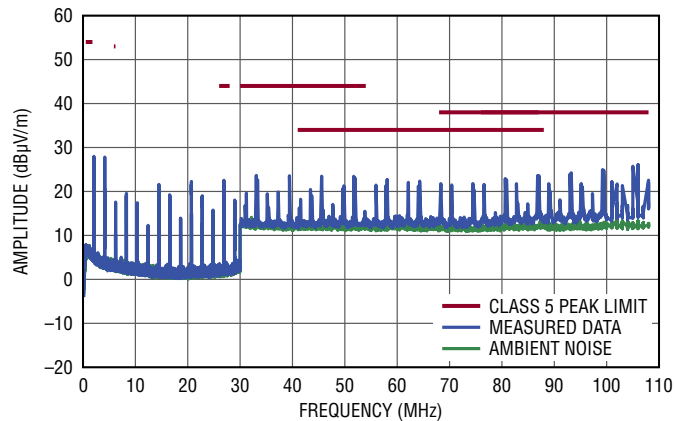
Load Transient Response Forced Continuous Mode



LTC3310-1
 3.3V_{IN} TO 1V_{OUT}
 LOADSTEP 1.5A TO 7.5A 6A/µs
 V_{OUTMIN} = 0.983V, V_{OUTMAX} = 1.018V

EMI TEST RESULTS

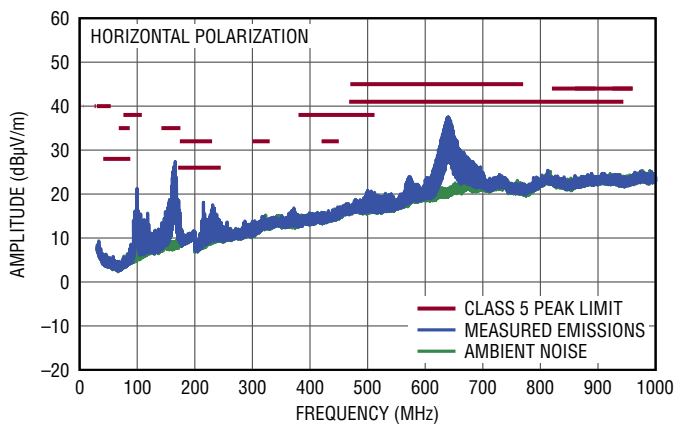
Conducted EMI Performance (CISPR25 Conducted Emission Test with Class 5 Peak Limits)



DC3043A DEMO BOARD
(WITH EMI FILTER INSTALLED)
3.3V INPUT TO 1V OUTPUT AT 8A, $f_{SW} = 2\text{MHz}$

dc3043a EMI01

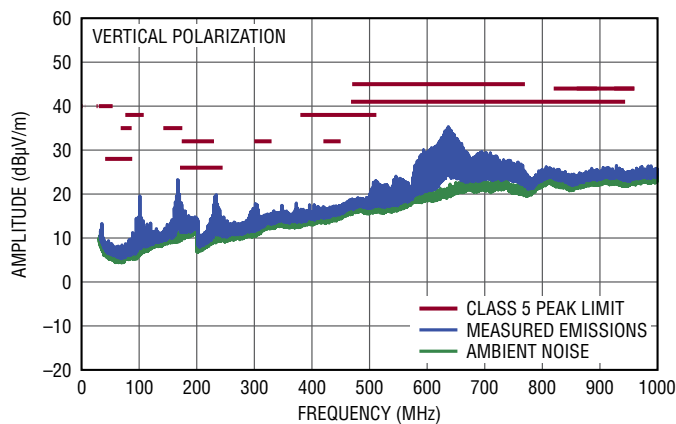
Radiated EMI Performance (CISPR25 Radiated Emission Test with Class 5 Peak Limits)



DC3043A DEMO BOARD
(WITH EMI FILTER INSTALLED)
3.3V INPUT TO 1V OUTPUT AT 8A, $f_{SW} = 2\text{MHz}$

dc3043a EMI02

Radiated EMI Performance (CISPR25 Radiated Emissions Test with Class 5 Peak Limits)



DC3043A DEMO BOARD
(WITH EMI FILTER INSTALLED)
3.3V INPUT TO 1V OUTPUT AT 8A, $f_{SW} = 2\text{MHz}$

dc3043a EMI03

THEORY OF OPERATION

Introduction to the DC3043A

The DC3043A demonstration circuit features the LTC3310-1, a fixed 1V output, synchronous step-down Silent Switcher.™ The LTC3310-1 is a monolithic, constant frequency, current mode step-down DC/DC converter. An oscillator, with frequency set using a resistor on the RT pin, turns on the internal top power switch at the beginning of each clock cycle. Current in the inductor then increases until the top switch comparator trips and turns off the top power switch. The peak inductor current, at which the top switch turns off, is controlled by the voltage on the internal ITH node. The error amplifier servos the ITH node by comparing the voltage on the internal VFB pin with an internal 500mV reference. When the load current increases, it causes a reduction in the feedback voltage relative to the reference leading the error amplifier to raise the ITH voltage until the average inductor current matches the new load current. When the top switch turns off, the synchronous power switch turns on until the next clock cycle begins or the inductor current falls to zero. If overload conditions result in excessive current flowing through the bottom switch, the next clock cycle will be delayed until the switch current returns to a safe level.

The LTC3310-1 includes Active Voltage Positioning (AVP) where the output voltage is dependent on load current. At light loads the output is regulated above the nominal. At full load the output is regulated below the nominal. The DC regulation is degraded to improve transient performance and reduce output capacitance requirements.

If the EN pin is low, the LTC3310-1 is in shutdown and in a low quiescent current state. When the EN pin is above its threshold, the switching regulator will be enabled.

The MODE/SYNC pin synchronizes the switching frequency to an external clock, is a clock output or sets the PWM mode. The PWM modes of operation are either pulse skip or forced continuous. See the LTC3310S/LTC3310-1 data sheet for more detailed information.

The maximum allowable operating frequency is influenced by the minimum on time of the top switch, the ratio of V_{OUT} to V_{IN} and the available inductor values. The maximum allowable operating frequency may be calculated in the formula below.

Select an operating switching frequency below $f_{SW(MAX)}$. Typically, it is desired to obtain an inductor current of 30% of the maximum LTC3310-1 operating load, 10A. Use the formulas below to calculate the inductor value to obtain a 30% (3A) inductor ripple for the operating frequency.

$$f_{SW(MAX)} = \frac{V_{OUT}}{V_{IN(MAX)} \cdot t_{ON(MIN)}}$$

When determining the compensation components, C10, C11 and R8, controlling the loop stability and transient response are the two main considerations. The LTC3310-1 has been designed to operate at a high bandwidth for fast transient response capabilities. This reduces output capacitance required to meet the desired transient response. The mid-band gain of the loop increases with R8 and the bandwidth of the loop increases with decreasing C11. C10 along with R8 provides a high frequency pole to reduce the high frequency gain.

$$L \approx \frac{V_{OUT}}{3A \cdot f_{SW}} \cdot \left(1 - \frac{V_{OUT}}{V_{IN(MAX)}} \right) \text{ for } \frac{V_{OUT}}{V_{IN(MAX)}} \leq 0.5$$

$$L \approx \frac{0.25 \cdot V_{IN(MAX)}}{3A \cdot f_{SW}} \text{ for } \frac{V_{OUT}}{V_{IN(MAX)}} > 0.5$$

Loop stability is generally measured using the Bode Plot method of plotting loop gain in dB and phase in degrees. The 0dB crossover frequency should be less the 1/6 of the operating frequency to reduce the effects of added phase of the modulator. The control loop phase margin goal should be 45° or greater and a gain margin goal of 8dB or greater.

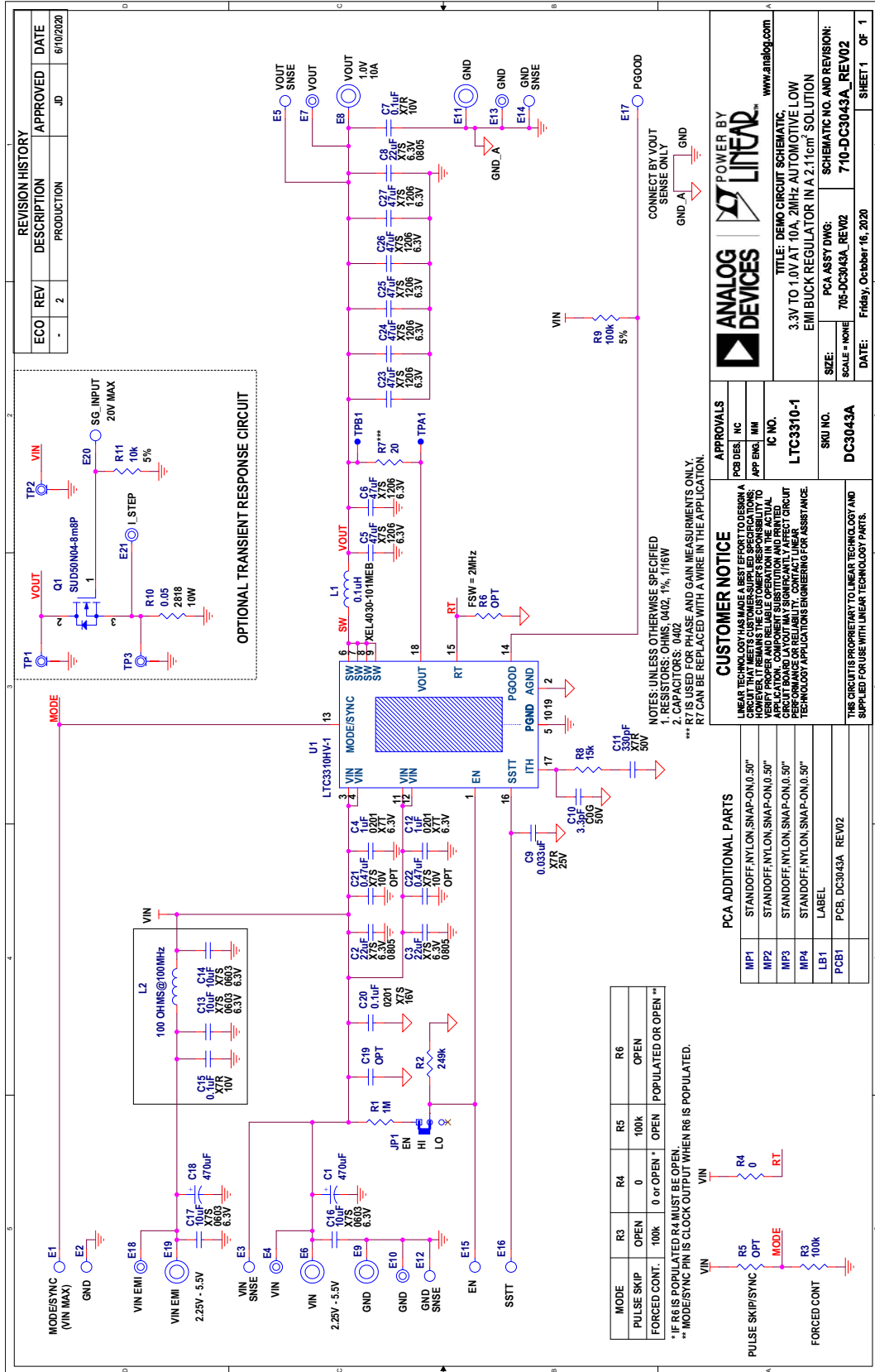
Ceramic capacitors with a X5R or X7R dielectric should be used for both input and output capacitors. It is important to review the impedance versus frequency when selecting a capacitor for the application. Ceramic capacitors have a resonant frequency in the 1MHz to 3MHz range. Setting the operating frequency above the resonant frequency will result in higher output ripple voltage due to the ESL of the capacitor. Low inductance capacitors are available at a higher cost but can improve the ripple voltage by 30%. Low inductance capacitors are available from Murata, TDK, Taiyo Yuden and AVX.

DEMO MANUAL DC3043A

PARTS LIST

ITEM	QTY	REFERENCE	PART DESCRIPTION	MANUFACTURER/PART NUMBER
Required Circuit Components				
1	2	C2, C3	CAP., 22 μ F, X7S, 6.3V, 20%, 0805	TDK, C2012X7S0J226M125AC
2	2	C4, C12	CAP., 1 μ F, X7T, 6.3V, 20%, 0201	MURATA, GRM033D70J105ME01D
3	7	C5, C6, C23-C27	CAP., 47 μ F, X7S, 6.3V, 20%, 1206, NO SUBS. ALLOWED	TDK, C3216X7S0J476M160AC
4	1	C9	CAP., 0.033 μ F, X7R, 25V, 10%, 0402	WURTH ELEKTRONIK, 885012205053
5	1	C10	CAP., 3.3pF, C0G, 50V, \pm 0.25pF, 0402	AVX, 04025A3R3CAT2A
6	1	C11	CAP., 330pF, X7R, 50V, 20%, 0402	AVX, 04025C331MAT2A
7	1	C20	CAP., 0.1 μ F, X7S, 16V, 10%, 0201	MURATA, GRM033C71C104KE14D
8	1	L1	IND., 0.1 μ H, PWR, SHIELDED, 20%, 25.8A, 1.8m Ω , 4.3mm \times 4.3mm, XEL4030, AEC-Q200	COILCRAFT, XEL4030-101MEB
9	1	R4	RES., 0 Ω , 1/16W, 0402, AEC-Q200	VISHAY, CRCW04020000Z0ED
10	1	R8	RES., 15k, 1%, 1/16W, 0402	VISHAY, CRCW040215K0FKED
11	1	U1	IC, 5V, FIXED 1V OUTPUT 10A SYNCHRONOUS STEP-DOWN SILENT SWITCHER 2, 18-LQFN	ANALOG DEVICES, LTC3310HV-1#PBF
Additional Demo Board Circuit Components				
1	2	C1, C18	CAP., 470 μ F, TANT. POSCAP, 6.3V, 20%, 7343, 10m Ω , TCF	PANASONIC, 6TCF470MAH
2	2	C7, C15	CAP., 0.1 μ F, X7R, 10V, 10%, 0402, AEC-Q200	MURATA, GCM155R71A104KA55D
3	1	C8	CAP., 22 μ F, X7S, 6.3V, 20%, 0805	TDK, C2012X7S0J226M125AC
4	4	C13, C14, C16, C17	CAP., 10 μ F, X7S, 6.3V, 20%, 0603	TDK, C1608X7S0J106M080AC
5	0	C19	CAP., OPTION, 0402	
6	2	C21, C22	CAP., 0.47 μ F, X7S, 10V, 10%, 0402, AEC-Q200	MURATA, GCM155C71A474KE36D
7	1	L2	IND., 100 Ω AT 100MHz, FERRITE BEAD, 25%, 8A, 6m Ω , 1812	WURTH ELEKTRONIK, 74279226101
8	1	Q1	XSTR., MOSFET, N-CH, 40V, 14A, DPAK (TO-252)	VISHAY, SUD50N04-8M8P-4GE3
9	1	R1	RES., 1M, 1%, 1/16W, 0402, AEC-Q200	VISHAY, CRCW04021M00FKED
10	1	R2	RES., 249k, 1%, 1/16W, 0402, AEC-Q200	VISHAY, CRCW0402249KFKED
11	2	R3, R9	RES., 100k, 5%, 1/16W, 0402, AEC-Q200	VISHAY, CRCW0402100KJNED
12	0	R5, R6	RES., OPTION, 0402	
13	1	R7	RES., 20 Ω , 1%, 1/16W, 0402, AEC-Q200	VISHAY, CRCW040220R0FKED
14	1	R10	RES., 0.05 Ω , 1%, 10W, 2818, AEC-Q200, METAL, HP	VISHAY, WSHP2818R0500FEA
15	1	R11	RES., 10k, 5%, 1/16W, 0402, AEC-Q200	VISHAY, CRCW040210K0JNED
Hardware: For Demo Board Only				
1	10	E1-E3, E5, E12, E14-E17, E20	TEST POINT, TURRET, 0.064" MTG. HOLE, PCB 0.062" THK	MILL-MAX, 2308-2-00-80-00-00-07-0
2	6	E4, E7, E10, E13, E18, E21	TEST POINT, TURRET, 0.094" MTG. HOLE, PCB 0.062" THK	MILL-MAX, 2501-2-00-80-00-00-07-0
3	5	E6, E8, E9, E11, E19	CONN., BANANA JACK, FEMALE, THT, NON-INSULATED, SWAGE, 0.218"	KEYSTONE, 575-4
4	1	JP1	CONN., HDR, MALE, 1 \times 3, 2mm, VERT, ST, THT	WURTH ELEKTRONIK, 62000311121
5	4	MP1-MP4	STANDOFF, NYLON, SNAP-ON, 0.50"	KEYSTONE, 8833
6	1	XJP1	CONN., SHUNT, FEMALE, 2 POS, 2mm	WURTH ELEKTRONIK, 60800213421

SCHEMATIC DIAGRAM





ESD Caution

ESD (electrostatic discharge) sensitive device. Charged devices and circuit boards can discharge without detection. Although this product features patented or proprietary protection circuitry, damage may occur on devices subjected to high energy ESD. Therefore, proper ESD precautions should be taken to avoid performance degradation or loss of functionality.

Legal Terms and Conditions

By using the evaluation board discussed herein (together with any tools, components documentation or support materials, the "Evaluation Board"), you are agreeing to be bound by the terms and conditions set forth below ("Agreement") unless you have purchased the Evaluation Board, in which case the Analog Devices Standard Terms and Conditions of Sale shall govern. Do not use the Evaluation Board until you have read and agreed to the Agreement. Your use of the Evaluation Board shall signify your acceptance of the Agreement. This Agreement is made by and between you ("Customer") and Analog Devices, Inc. ("ADI"), with its principal place of business at One Technology Way, Norwood, MA 02062, USA. Subject to the terms and conditions of the Agreement, ADI hereby grants to Customer a free, limited, personal, temporary, non-exclusive, non-sublicensable, non-transferable license to use the Evaluation Board FOR EVALUATION PURPOSES ONLY. Customer understands and agrees that the Evaluation Board is provided for the sole and exclusive purpose referenced above, and agrees not to use the Evaluation Board for any other purpose. Furthermore, the license granted is expressly made subject to the following additional limitations: Customer shall not (i) rent, lease, display, sell, transfer, assign, sublicense, or distribute the Evaluation Board; and (ii) permit any Third Party to access the Evaluation Board. As used herein, the term "Third Party" includes any entity other than ADI, Customer, their employees, affiliates and in-house consultants. The Evaluation Board is NOT sold to Customer; all rights not expressly granted herein, including ownership of the Evaluation Board, are reserved by ADI. CONFIDENTIALITY. This Agreement and the Evaluation Board shall all be considered the confidential and proprietary information of ADI. Customer may not disclose or transfer any portion of the Evaluation Board to any other party for any reason. Upon discontinuation of use of the Evaluation Board or termination of this Agreement, Customer agrees to promptly return the Evaluation Board to ADI. ADDITIONAL RESTRICTIONS. Customer may not disassemble, decompile or reverse engineer chips on the Evaluation Board. Customer shall inform ADI of any occurred damages or any modifications or alterations it makes to the Evaluation Board, including but not limited to soldering or any other activity that affects the material content of the Evaluation Board. Modifications to the Evaluation Board must comply with applicable law, including but not limited to the RoHS Directive. TERMINATION. ADI may terminate this Agreement at any time upon giving written notice to Customer. Customer agrees to return to ADI the Evaluation Board at that time. LIMITATION OF LIABILITY. THE EVALUATION BOARD PROVIDED HEREUNDER IS PROVIDED "AS IS" AND ADI MAKES NO WARRANTIES OR REPRESENTATIONS OF ANY KIND WITH RESPECT TO IT. ADI SPECIFICALLY DISCLAIMS ANY REPRESENTATIONS, ENDORSEMENTS, GUARANTEES, OR WARRANTIES, EXPRESS OR IMPLIED, RELATED TO THE EVALUATION BOARD INCLUDING, BUT NOT LIMITED TO, THE IMPLIED WARRANTY OF MERCHANTABILITY, TITLE, FITNESS FOR A PARTICULAR PURPOSE OR NON-INFRINGEMENT OF INTELLECTUAL PROPERTY RIGHTS. IN NO EVENT WILL ADI AND ITS LICENSORS BE LIABLE FOR ANY INCIDENTAL, SPECIAL, INDIRECT, OR CONSEQUENTIAL DAMAGES RESULTING FROM CUSTOMER'S POSSESSION OR USE OF THE EVALUATION BOARD, INCLUDING BUT NOT LIMITED TO LOST PROFITS, DELAY COSTS, LABOR COSTS OR LOSS OF GOODWILL. ADI'S TOTAL LIABILITY FROM ANY AND ALL CAUSES SHALL BE LIMITED TO THE AMOUNT OF ONE HUNDRED US DOLLARS (\$100.00). EXPORT. Customer agrees that it will not directly or indirectly export the Evaluation Board to another country, and that it will comply with all applicable United States federal laws and regulations relating to exports. GOVERNING LAW. This Agreement shall be governed by and construed in accordance with the substantive laws of the Commonwealth of Massachusetts (excluding conflict of law rules). Any legal action regarding this Agreement will be heard in the state or federal courts having jurisdiction in Suffolk County, Massachusetts, and Customer hereby submits to the personal jurisdiction and venue of such courts. The United Nations Convention on Contracts for the International Sale of Goods shall not apply to this Agreement and is expressly disclaimed.