



# UE45-3S13D330

## UE45-3S1

SAFETY RELAYS

**SICK**  
Sensor Intelligence.



Illustration may differ



### Ordering information

Type	Part no.
UE45-3S13D330	6024914

Other models and accessories → [www.sick.com/UE45-3S1](http://www.sick.com/UE45-3S1)

### Detailed technical data

#### Safety-related parameters

<b>Safety integrity level</b>	1)
<b>Category</b>	Category 4 (EN ISO 13849) <sup>2)</sup> Category 3 (EN ISO 13849) <sup>1)</sup>
<b>Performance level</b>	PL e (EN ISO 13849) <sup>2)</sup> PL d (EN ISO 13849) <sup>1)</sup>
<b>B<sub>10d</sub> parameter</b>	4 x 10 <sup>5</sup> switching cycles (with maximum load)
<b>PFH<sub>D</sub> (mean probability of a dangerous failure per hour)</b>	3.0 x 10 <sup>-8</sup> (EN ISO 13849) <sup>2)</sup> 2.0 x 10 <sup>-8</sup> (EN ISO 13849) <sup>1)</sup>
<b>T<sub>M</sub> (mission time)</b>	20 years (EN ISO 13849)
<b>Stop category</b>	0 (EN 60204-1) <sup>2)</sup> 1 (EN 60204-1) <sup>1)</sup>

<sup>1)</sup> For time contacts 37/38.

<sup>2)</sup> For contacts 13/14, 23/24.

#### Electrical data

##### Operating data

<b>Voltage supply</b>	A1, A2
Output circuit > 25 V AC / 60 V DC	PELV
Output circuit ≤ 25 V AC / 60 V DC	PELV or SELV
<b>Supply voltage V<sub>s</sub></b>	A1, A2
	24 V DC (20.4 V DC ... 26.4 V DC)
<b>Residual ripple</b>	(≤ 2.4 V <sub>pp</sub> ) <sup>1)</sup>
<b>Power consumption</b>	2.6 W (DC)
<b>Overvoltage category</b>	II
<b>Rated insulation voltage U<sub>i</sub></b>	300 V AC

<sup>1)</sup> In DC operation, within the limits of V<sub>s</sub>.

<b>Rated impulse withstand voltage <math>U_{imp}</math></b>	4 kV
<b>Test voltage</b>	2 kV (50 Hz) (EN 60439-1)

<sup>1)</sup> In DC operation, within the limits of  $V_S$ .

Control voltage: S11/S33, S21

<b>Control voltage</b>	22 V DC
<b>Short-circuit current</b>	≤ 2.2 A, between S 11 and A 2
<b>Short-circuit protection</b>	PTC resistor

Input circuits: S12, S31/S22

<b>Reset time</b>	Manual	(≤ 30 ms)
	Automatic	(≤ 600 ms)
<b>Activation time of reset button</b>		≤ 30 ms ≤ 600 ms
<b>Synchronous time monitoring</b>		≤ 500 ms
<b>Cable resistance</b>		≤ 85 Ω

Output current paths: 13/14, 23/24, 37/38

<b>Response time</b>		25 ms <sup>1)</sup>
<b>Off-delay time</b>		1.5 s ... 30 s
<b>Number of enabling current paths (N/O)</b>		2, category 4
<b>Number of off-delayed N/O contacts</b>		1, category 3
<b>Number of on-delayed N/O contacts</b>		Category 3
<b>Contact type</b>		Positively driven
<b>Contact material</b>		Silver alloy, gold flashed
<b>Switching voltage</b>	Enabling current path	10 V AC ... 230 V AC 10 V DC ... 300 V DC
<b>Current-carrying capacity per OSSD</b>	Enabling current path	10 mA ... 6 A
	Total current	≤ 12 A
<b>Usage category</b>		AC-15/DC-13 (EN 60947-5-1)
<b>Rated operating current (voltage)</b>		4 A (230 V AC) 360 switching cycles/h 4 A (24 V DC) 360 switching cycles/h 2.5 A (24 V DC) 3600 switching cycles/h
<b>Switching frequency</b>		≤ 3600/h
<b>Mechanical life (relay contacts)</b>		5 x 10 <sup>6</sup> switching cycles
<b>Electrical life (relay contacts)</b>		2 x 10 <sup>6</sup> switching cycles

<sup>1)</sup> K1/K2.

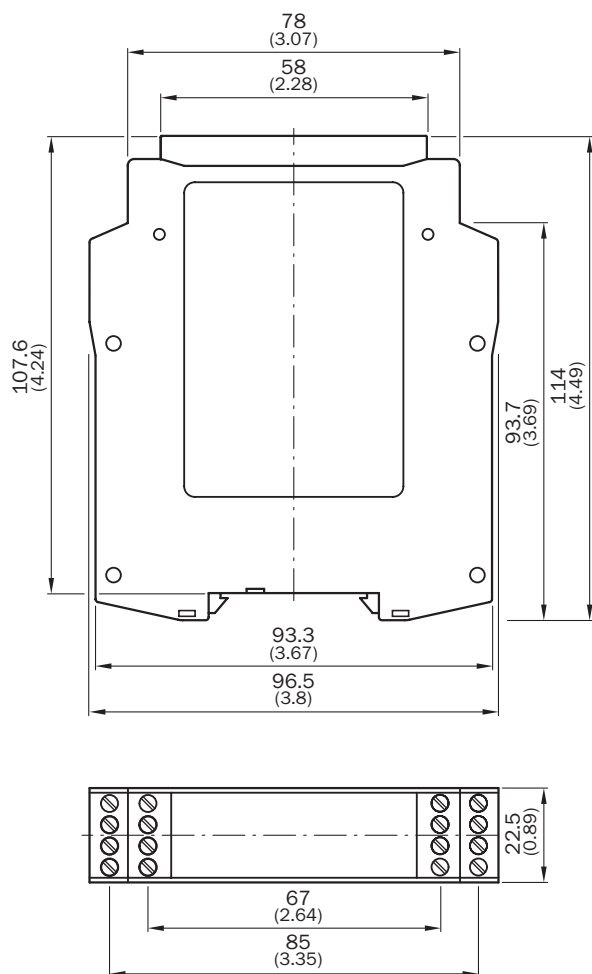
Mechanical data

<b>Dimensions (W x H x D)</b>	22.5 mm x 114 mm x 96.5 mm
<b>Contamination rating</b>	3 (EN 50178)
<b>Weight</b>	0.2 kg

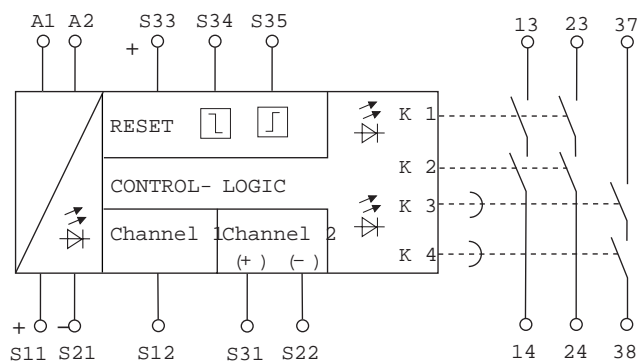
## Classifications

<b>eCl@ss 5.0</b>	27371990
<b>eCl@ss 5.1.4</b>	27371990
<b>eCl@ss 6.0</b>	27371819
<b>eCl@ss 6.2</b>	27371819
<b>eCl@ss 7.0</b>	27371819
<b>eCl@ss 8.0</b>	27371819
<b>eCl@ss 8.1</b>	27371819
<b>eCl@ss 9.0</b>	27371819
<b>eCl@ss 10.0</b>	27371819
<b>eCl@ss 11.0</b>	27371819
<b>eCl@ss 12.0</b>	27371819
<b>ETIM 5.0</b>	EC001449
<b>ETIM 6.0</b>	EC001449
<b>ETIM 7.0</b>	EC001449
<b>ETIM 8.0</b>	EC001449
<b>UNSPSC 16.0901</b>	41113704

Dimensional drawing (Dimensions in mm (inch))



Connection diagram



## SICK AT A GLANCE

SICK is one of the leading manufacturers of intelligent sensors and sensor solutions for industrial applications. A unique range of products and services creates the perfect basis for controlling processes securely and efficiently, protecting individuals from accidents and preventing damage to the environment.

We have extensive experience in a wide range of industries and understand their processes and requirements. With intelligent sensors, we can deliver exactly what our customers need. In application centers in Europe, Asia and North America, system solutions are tested and optimized in accordance with customer specifications. All this makes us a reliable supplier and development partner.

Comprehensive services complete our offering: SICK LifeTime Services provide support throughout the machine life cycle and ensure safety and productivity.

For us, that is “Sensor Intelligence.”

## WORLDWIDE PRESENCE:

Contacts and other locations –[www.sick.com](http://www.sick.com)