



BEF-KHS-K01

**SICK**  
Sensor Intelligence.



## Ordering information

Type	Part no.
BEF-KHS-K01	2022718

**Included in delivery:** BEF-KHS-KH1 (1)

Other models and accessories → [www.sick.com/](http://www.sick.com/)

## Detailed technical data

### Technical specifications

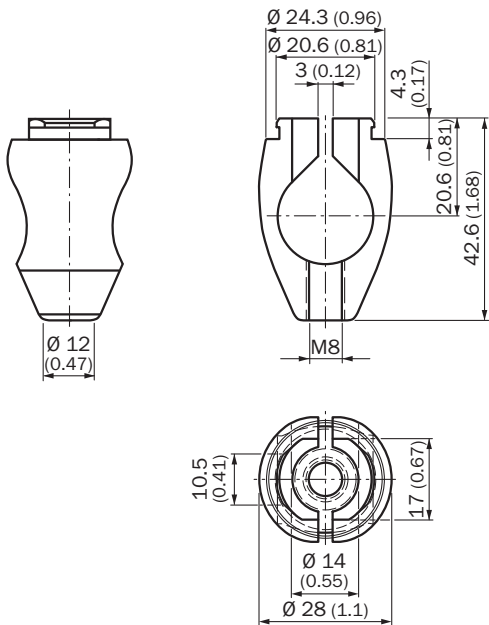
<b>Accessory group</b>	Universal bar clamp systems
<b>Material</b>	Steel, zinc coated
<b>Items supplied</b>	Universal clamp (2022726), mounting hardware
<b>Description</b>	Plate K for universal clamp bracket
<b>Usable for</b>	W11-2 W12-3 W14-2 W18-3 W23-2 W24-2 W27-3 W30 W32 W34 W36 PL50A PL80A P250 UC12 LUT3 KT2 KT5-2 KT8 CS8 DT2 DS30 DS40 W12-2 Laser W16 W26 KT5

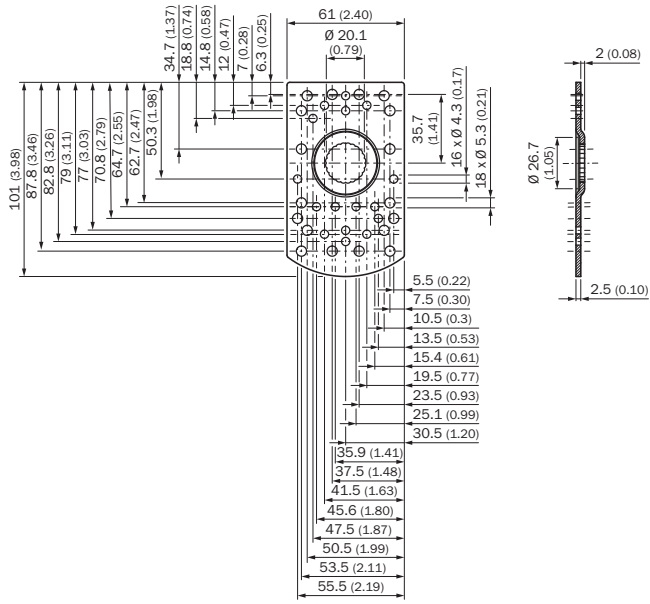
### Classifications

<b>eCl@ss 5.0</b>	27279202
<b>eCl@ss 5.1.4</b>	27279202
<b>eCl@ss 6.0</b>	27279202
<b>eCl@ss 6.2</b>	27279202
<b>eCl@ss 7.0</b>	27279202
<b>eCl@ss 8.0</b>	27279202

<b>eCl@ss 8.1</b>	27279202
<b>eCl@ss 9.0</b>	27273701
<b>eCl@ss 10.0</b>	27273701
<b>eCl@ss 11.0</b>	27273701
<b>eCl@ss 12.0</b>	27273701
<b>ETIM 5.0</b>	EC002024
<b>ETIM 6.0</b>	EC002024
<b>ETIM 7.0</b>	EC002024
<b>ETIM 8.0</b>	EC002024
<b>UNSPSC 16.0901</b>	32131023

Dimensional drawing (Dimensions in mm (inch))





## SICK AT A GLANCE

SICK is one of the leading manufacturers of intelligent sensors and sensor solutions for industrial applications. A unique range of products and services creates the perfect basis for controlling processes securely and efficiently, protecting individuals from accidents and preventing damage to the environment.

We have extensive experience in a wide range of industries and understand their processes and requirements. With intelligent sensors, we can deliver exactly what our customers need. In application centers in Europe, Asia and North America, system solutions are tested and optimized in accordance with customer specifications. All this makes us a reliable supplier and development partner.

Comprehensive services complete our offering: SICK LifeTime Services provide support throughout the machine life cycle and ensure safety and productivity.

For us, that is “Sensor Intelligence.”

## WORLDWIDE PRESENCE:

Contacts and other locations –[www.sick.com](http://www.sick.com)